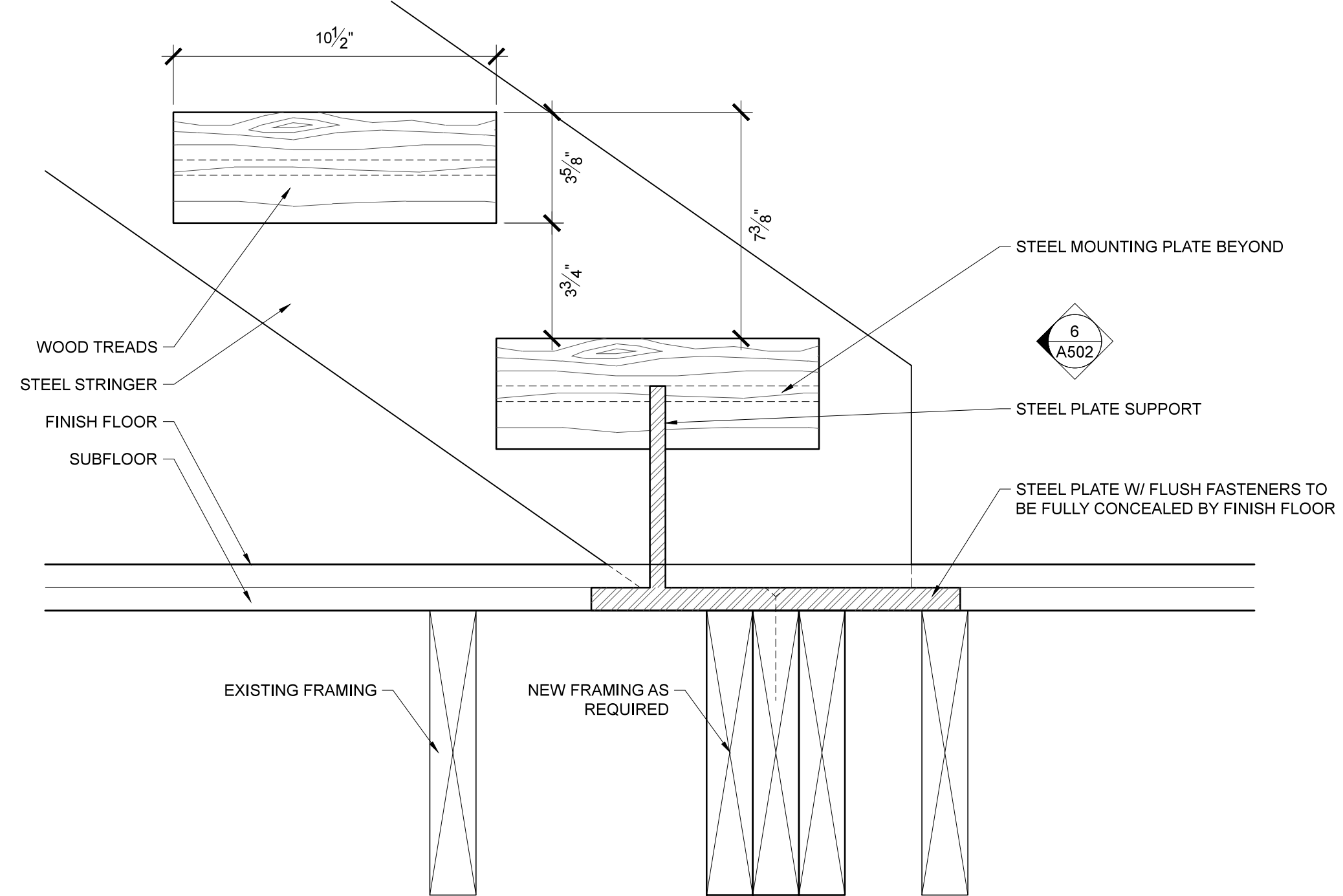
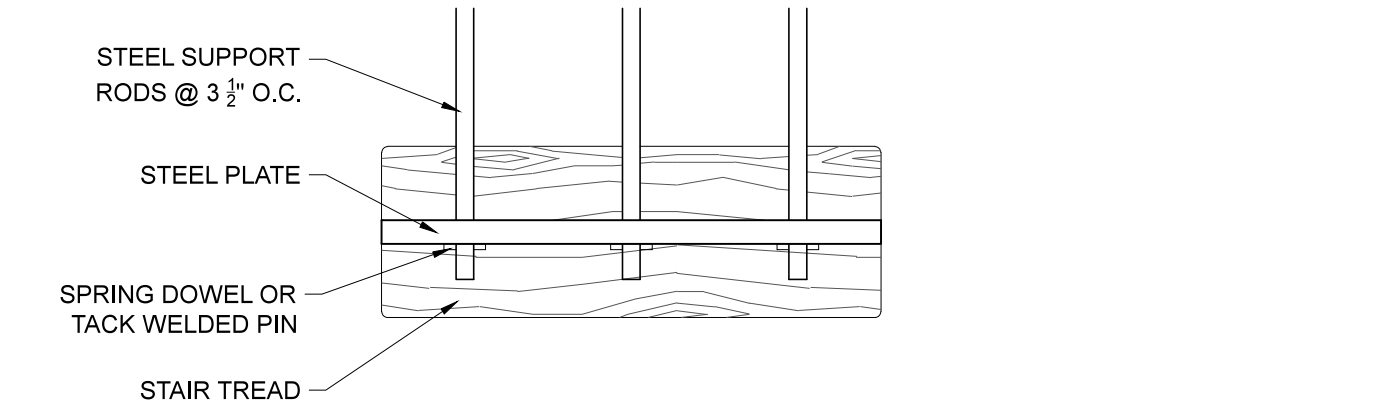


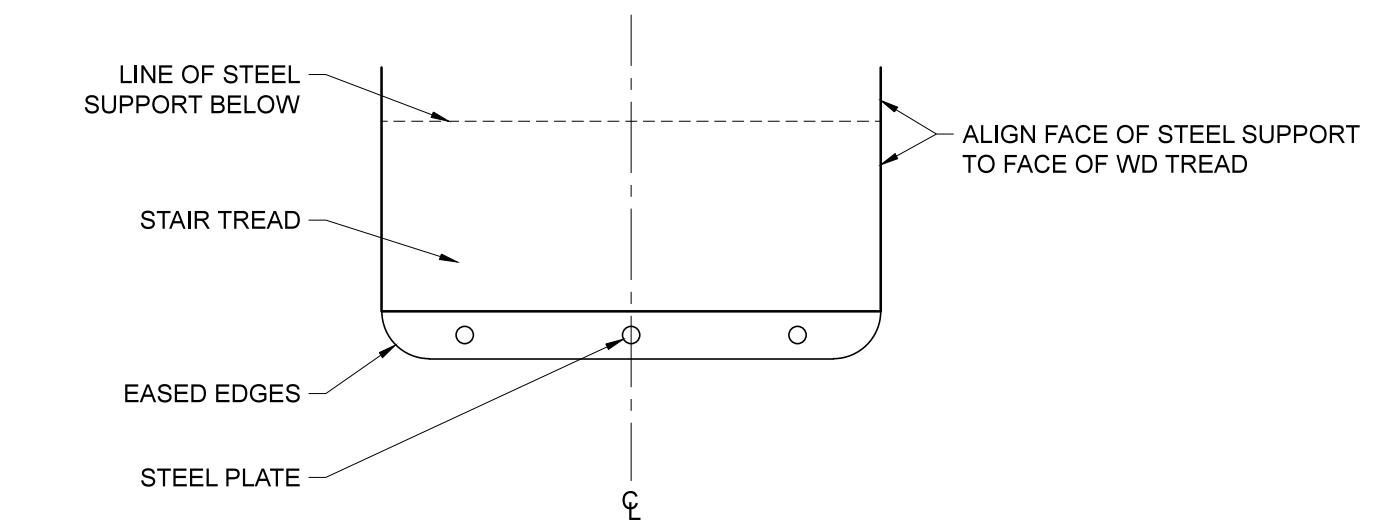
1 SECTION DETAIL  
SCALE: 3" = 1'-0"



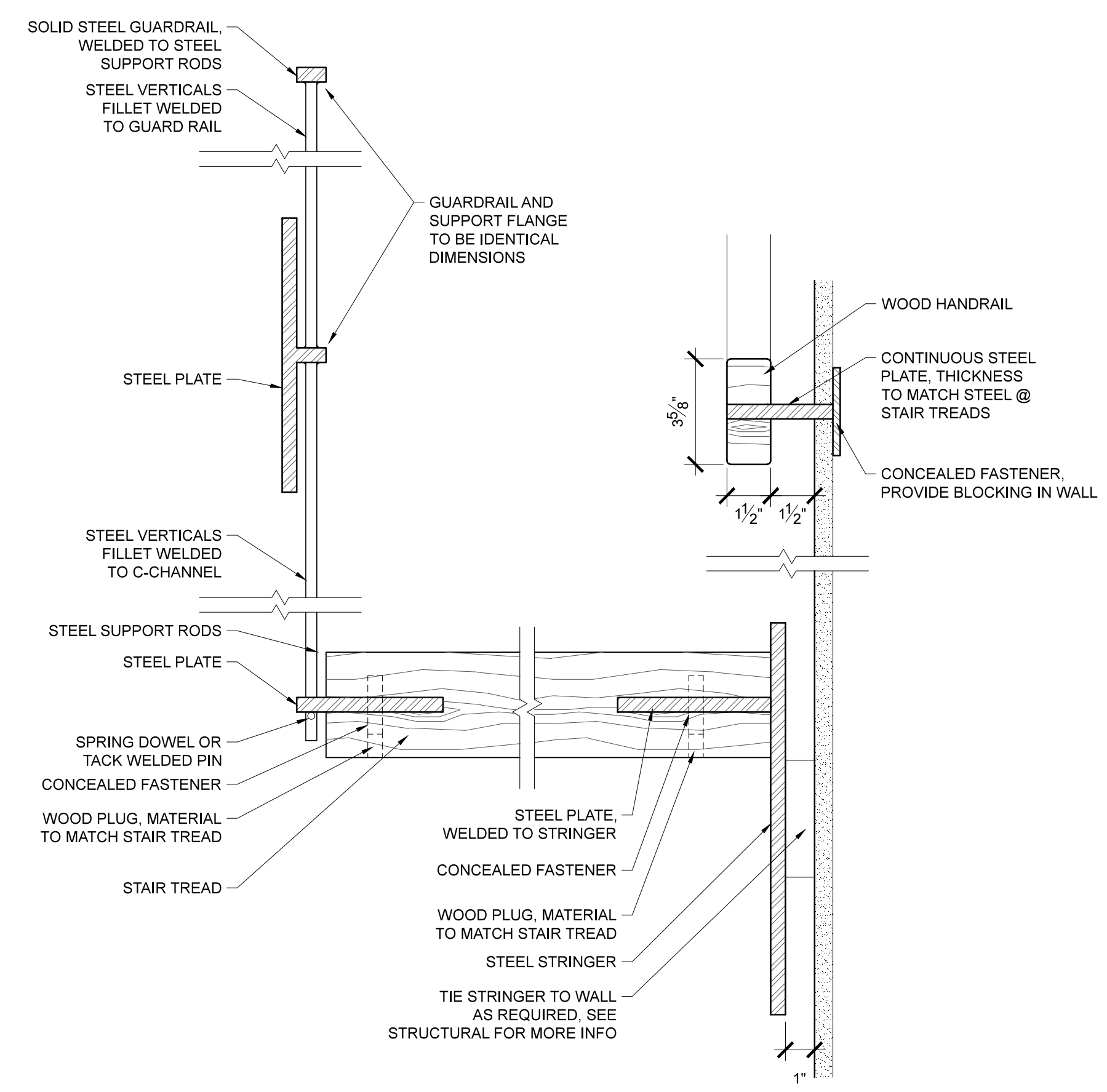
2 SECTION DETAIL  
SCALE: 3" = 1'-0"



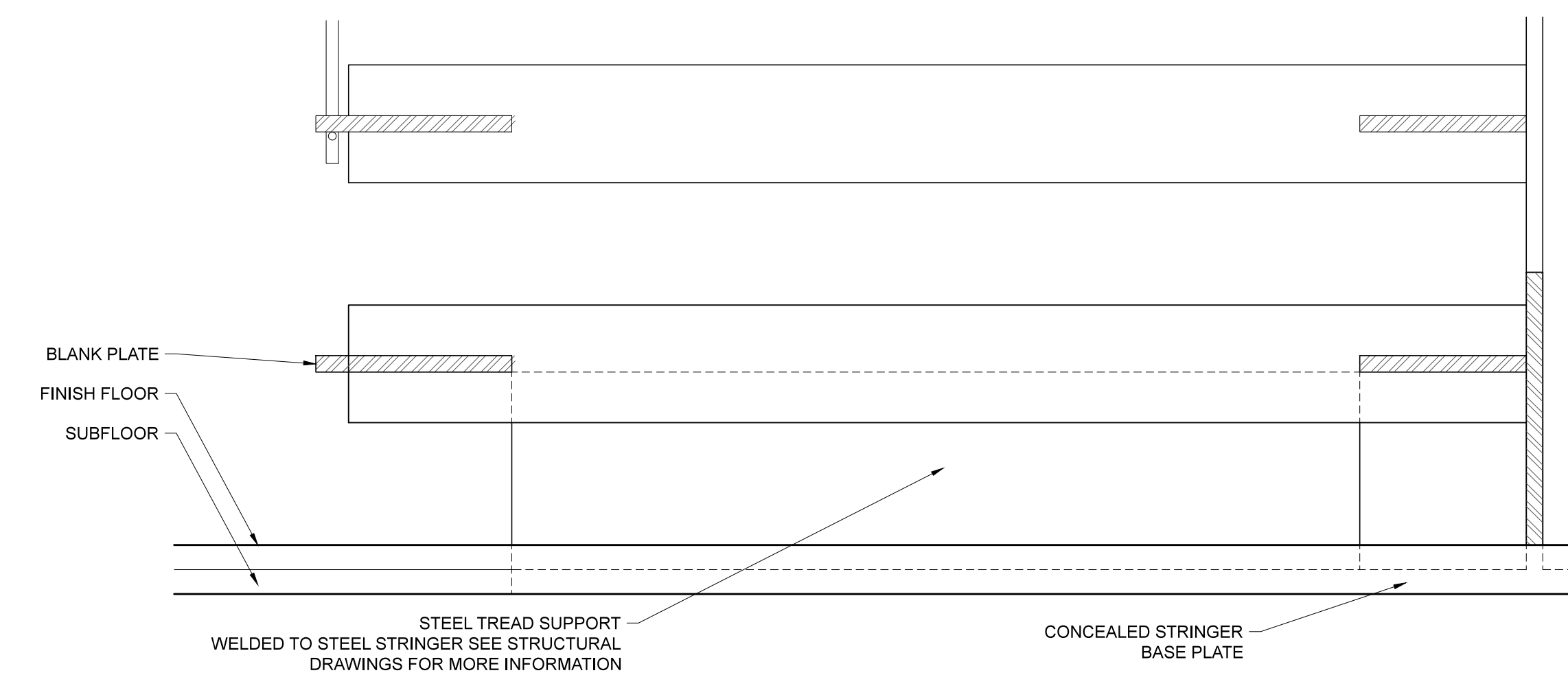
3 TREAD ELEVATION DETAIL  
SCALE: 3" = 1'-0"



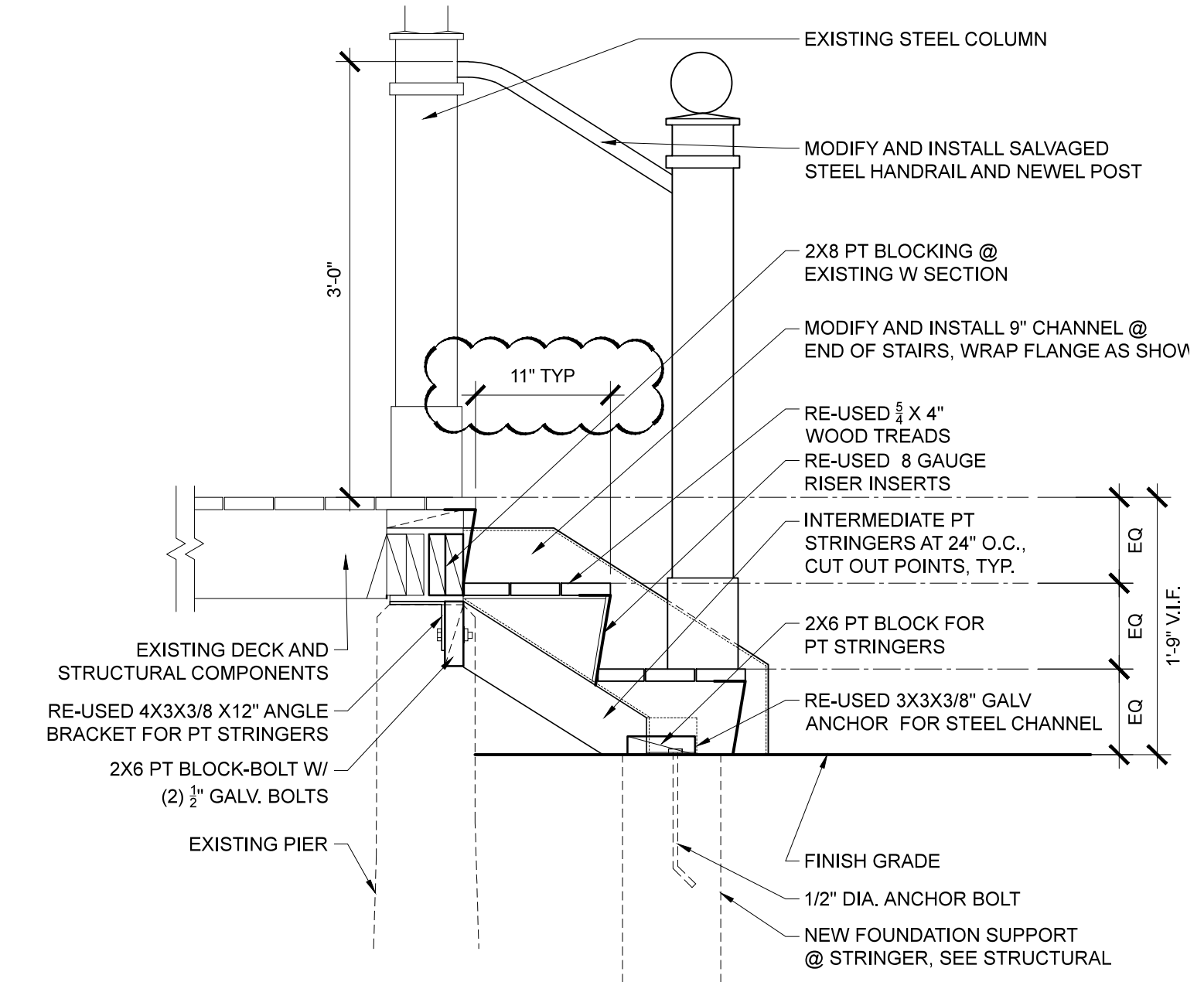
4 TREAD PLAN DETAIL  
SCALE: 3" = 1'-0"



5 SECTION DETAIL  
SCALE: 3" = 1'-0"



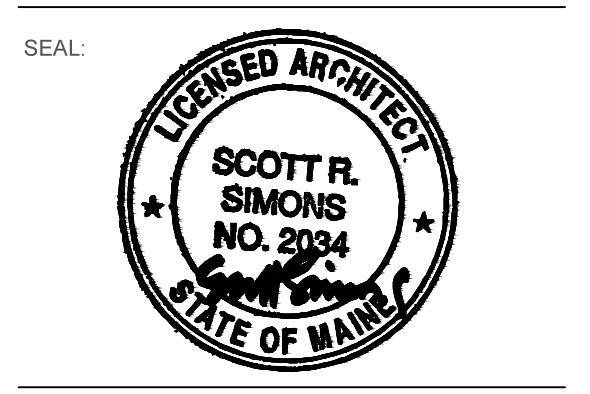
7 FIRST TREAD ELEVATION  
SCALE: 3" = 1'-0"



6 PORCH STAIR DETAIL  
SCALE: 3" = 1'-0"

PROJECT NAME:  
**PINE ST RESIDENCE**

RENOVATIONS  
157-159 PINE STREET  
PORTLAND, ME 04101



THIS DRAWING IS THE PROPERTY OF SCOTT SIMONS ARCHITECTS (SSA) AND IS NOT TO BE COPIED OR REPRODUCED IN PART OR WHOLE. 2015 © SCOTT SIMONS ARCHITECTS, LLC

REVISION:

NO.	DATE
1	DATE
2	DATE
3	DATE
4	DATE
5	DATE
6	DATE

DATE OF ISSUE: MAY 11, 2015  
PROJECT NUMBER: 2015-0010  
STATUS: ISSUED FOR PRICING  
NOT FOR CONSTRUCTION

**STAIR DETAILS**

**A502**