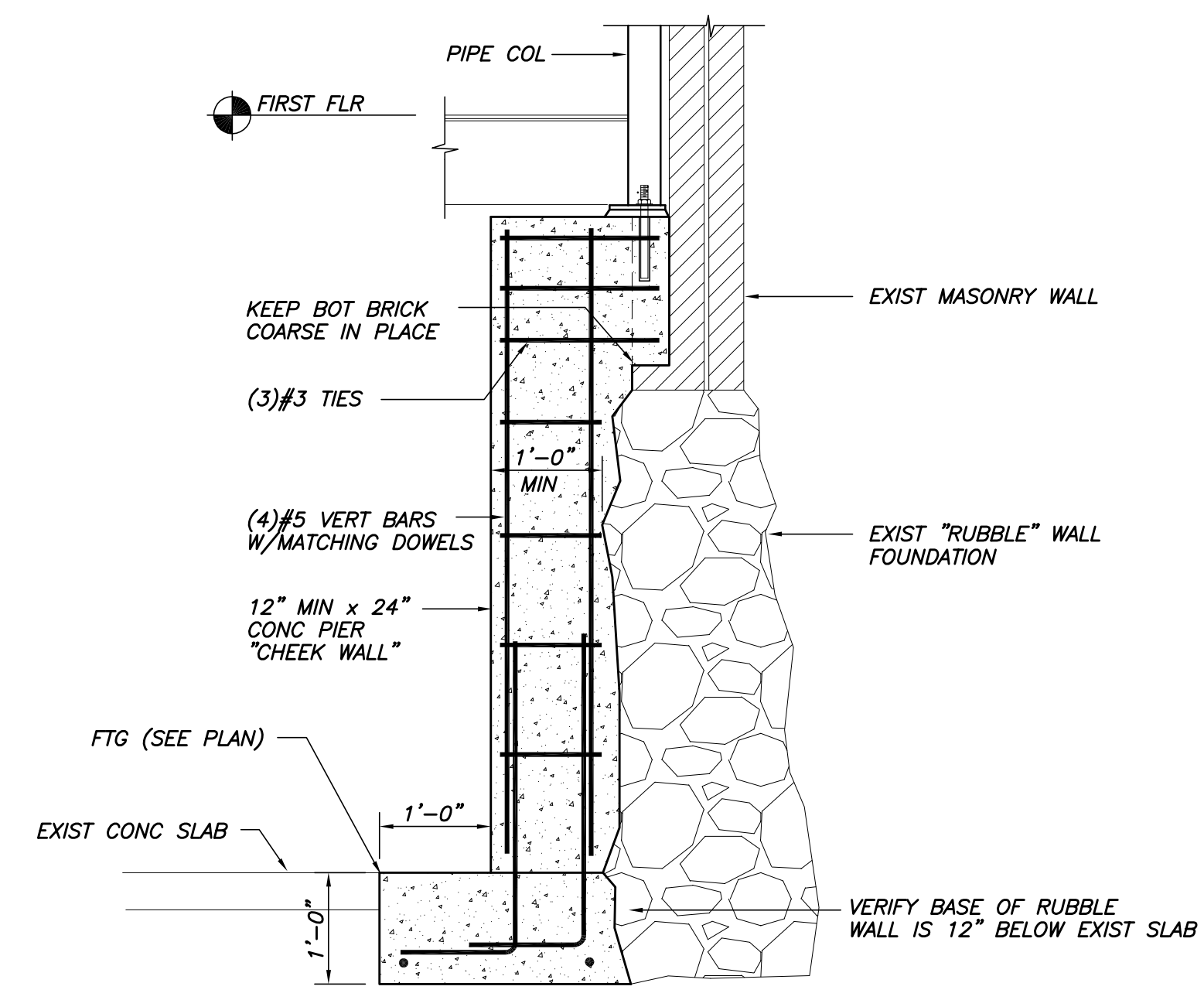
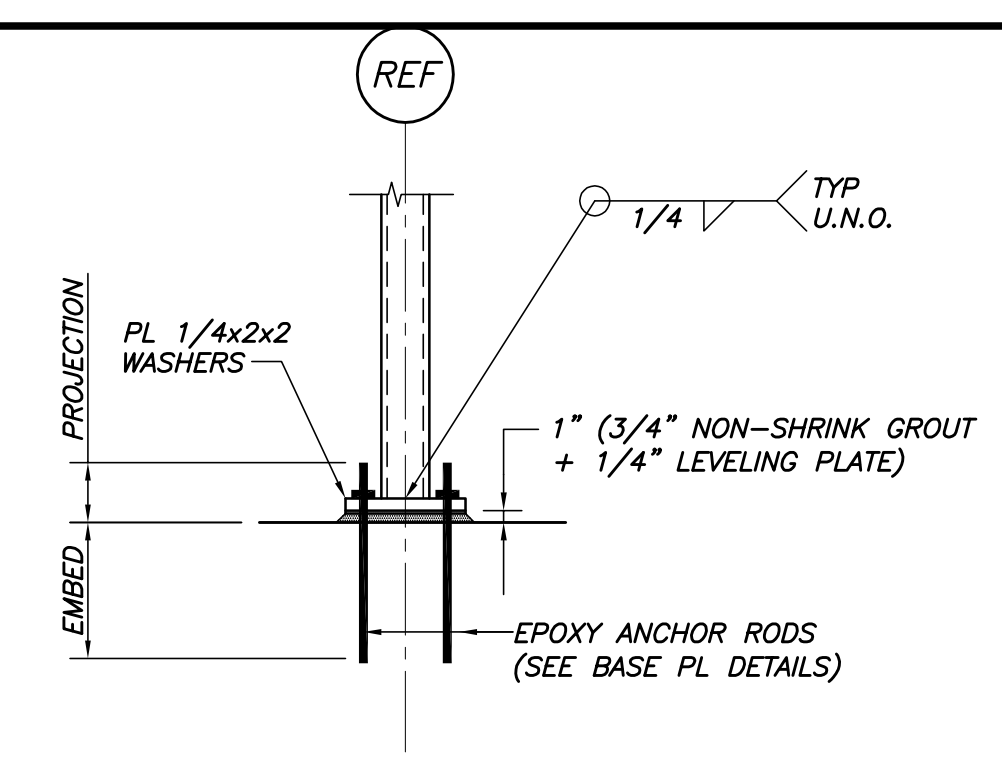


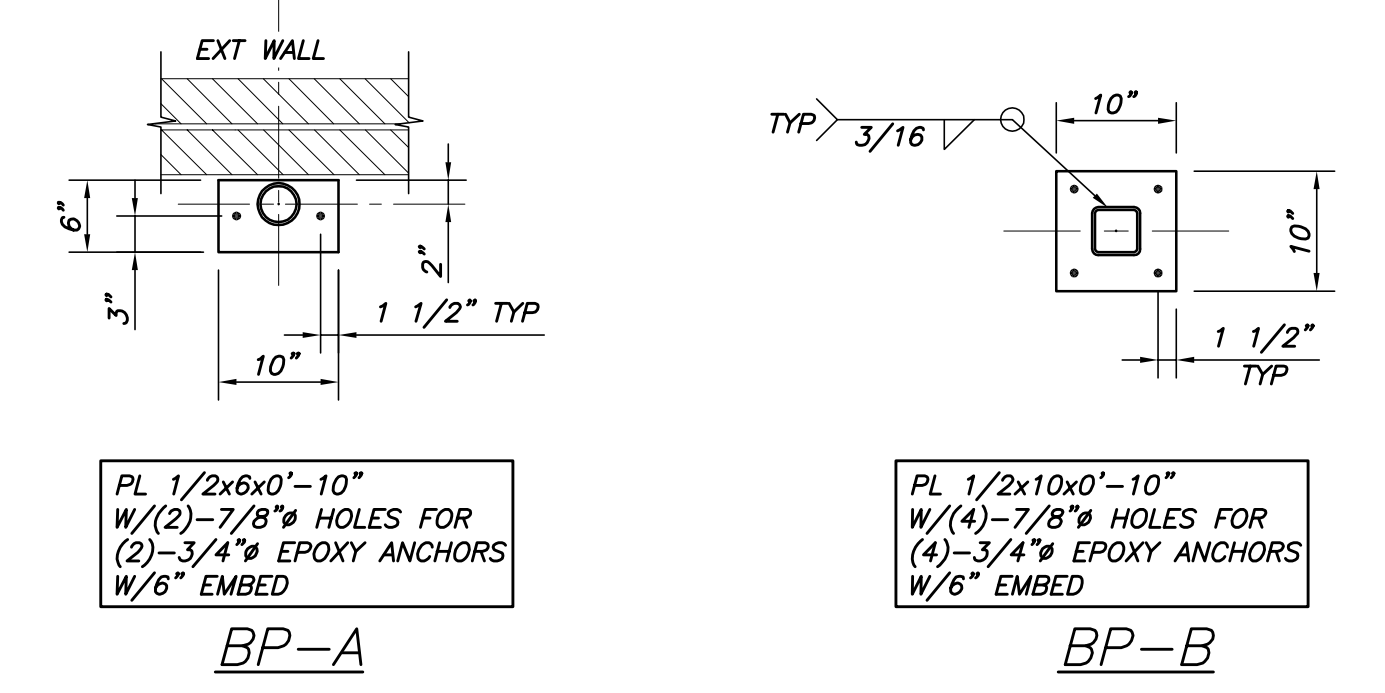
TYP WOOD NAILER/WEB BLKG TO W-BM DETAIL
N.T.S.



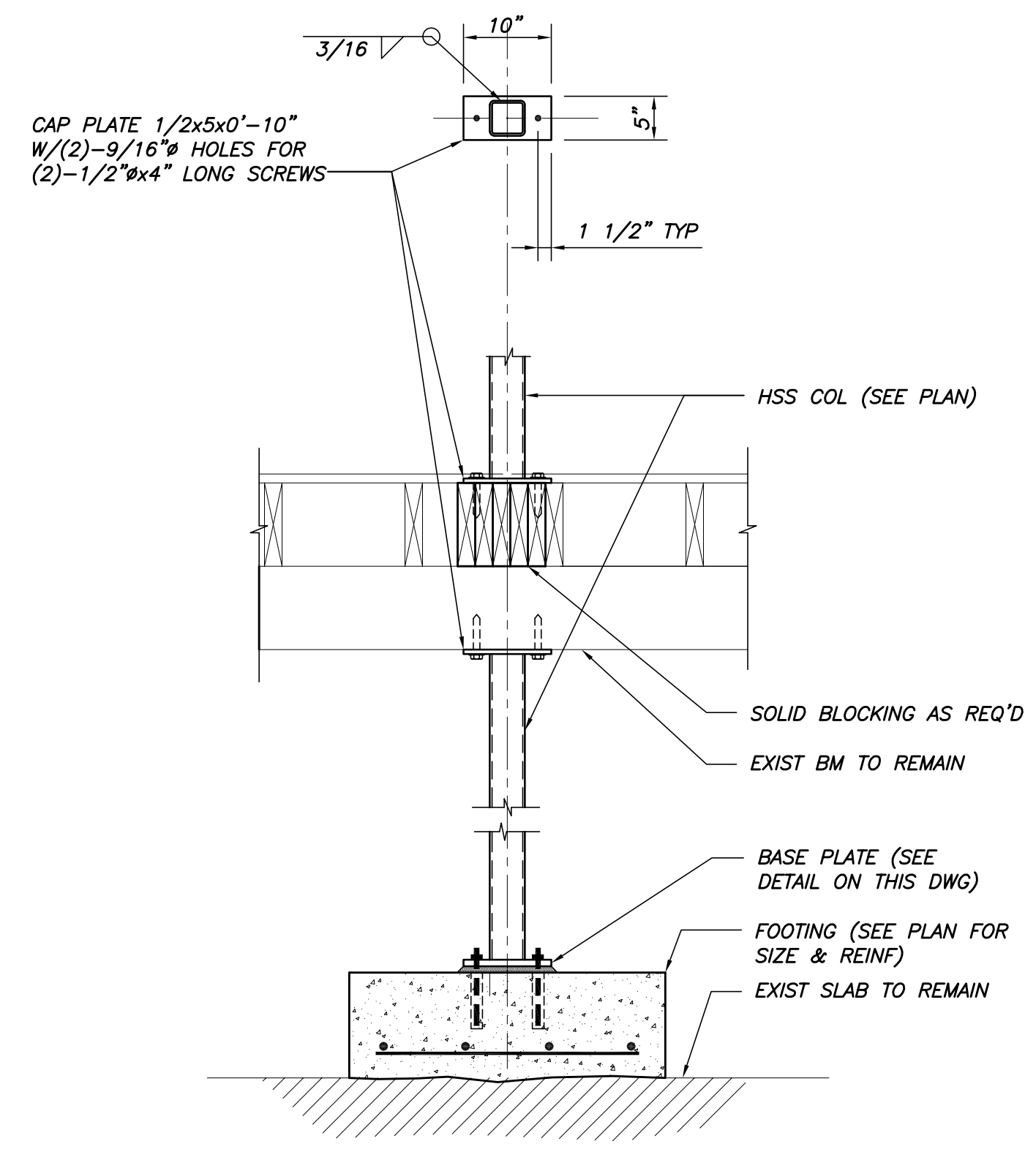
"P1" PIER DETAIL
N.T.S.



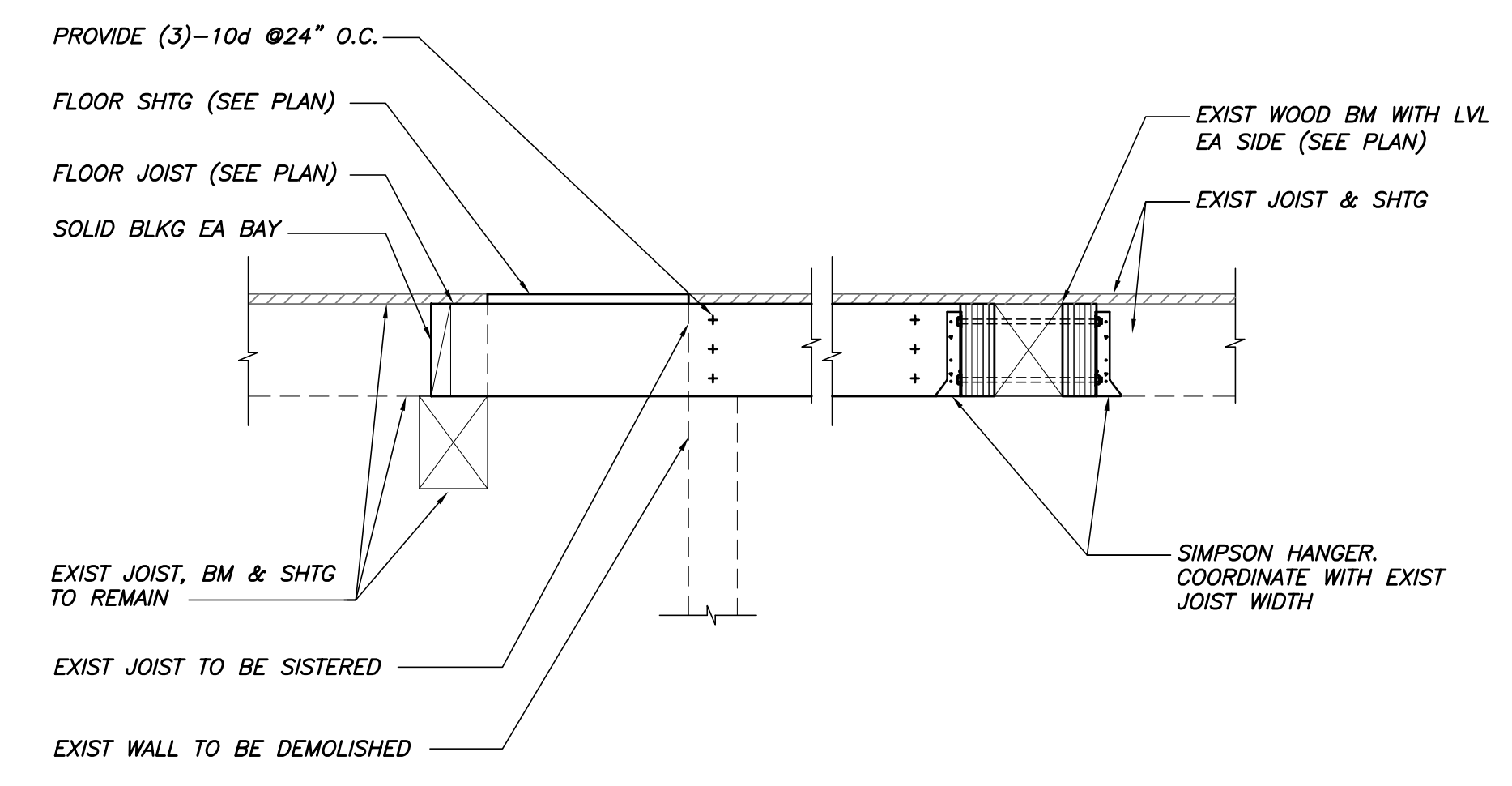
TYP COL BASE DETAIL U.N.O.
N.T.S.



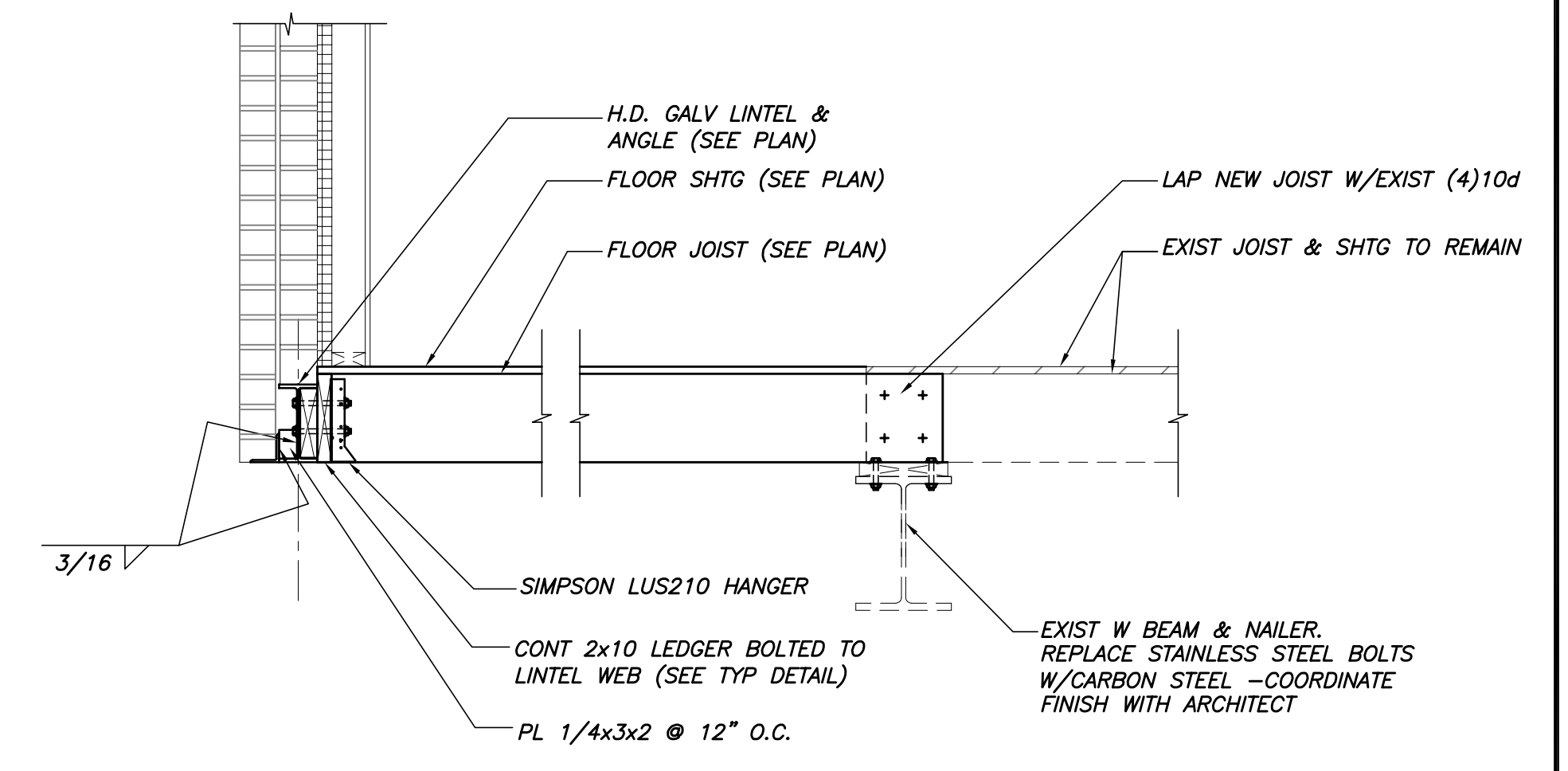
BASE PLATE DETAILS



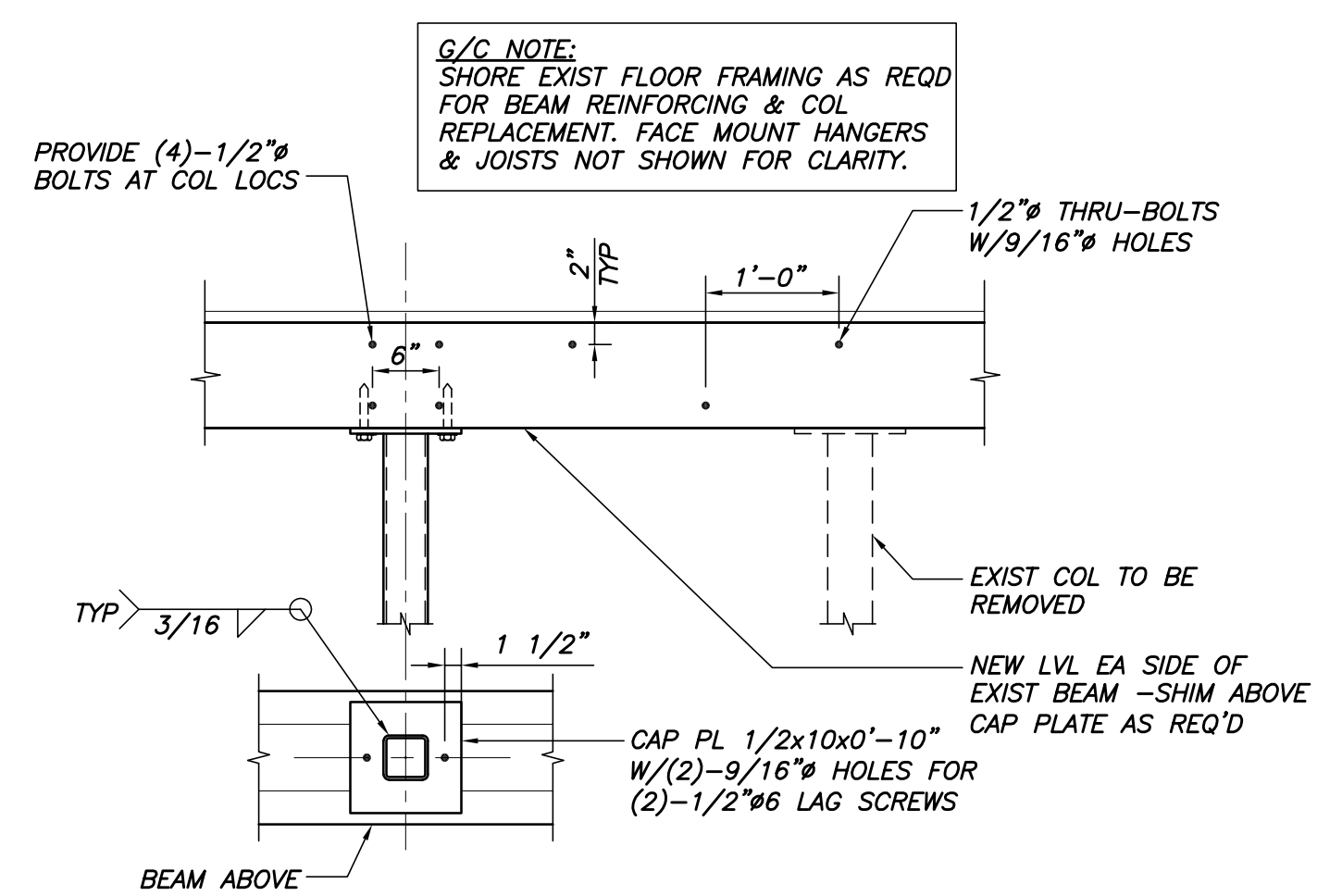
SECTION 1
3/4"=1'-0"



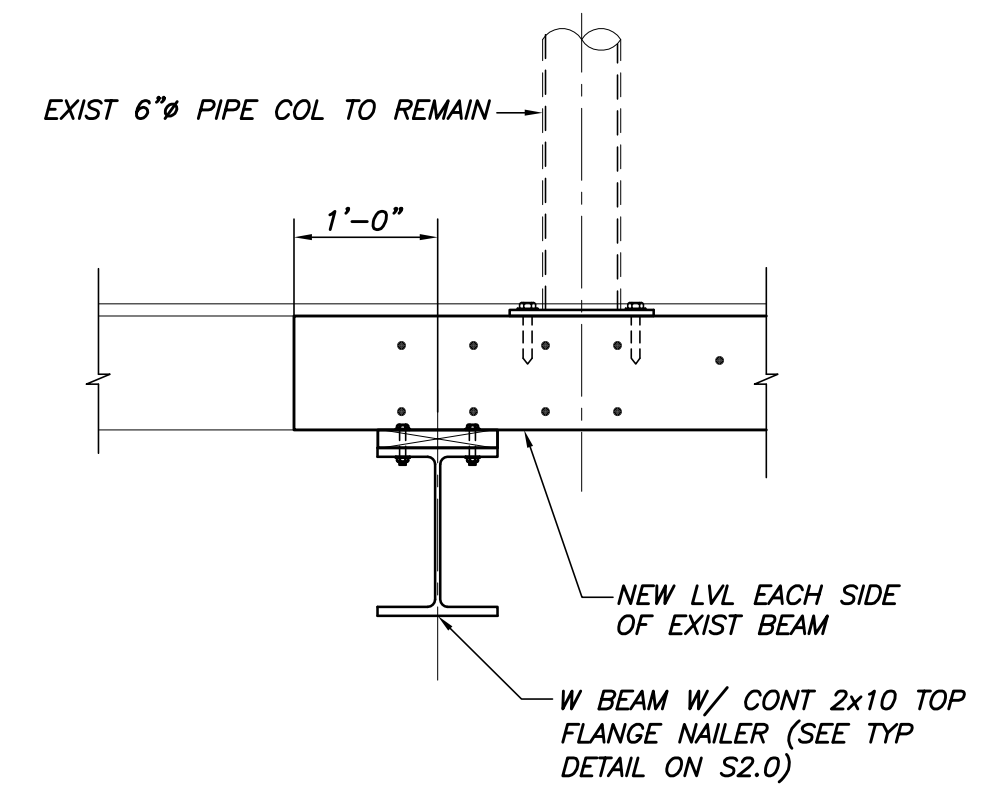
SECTION 2
3/4"=1'-0"



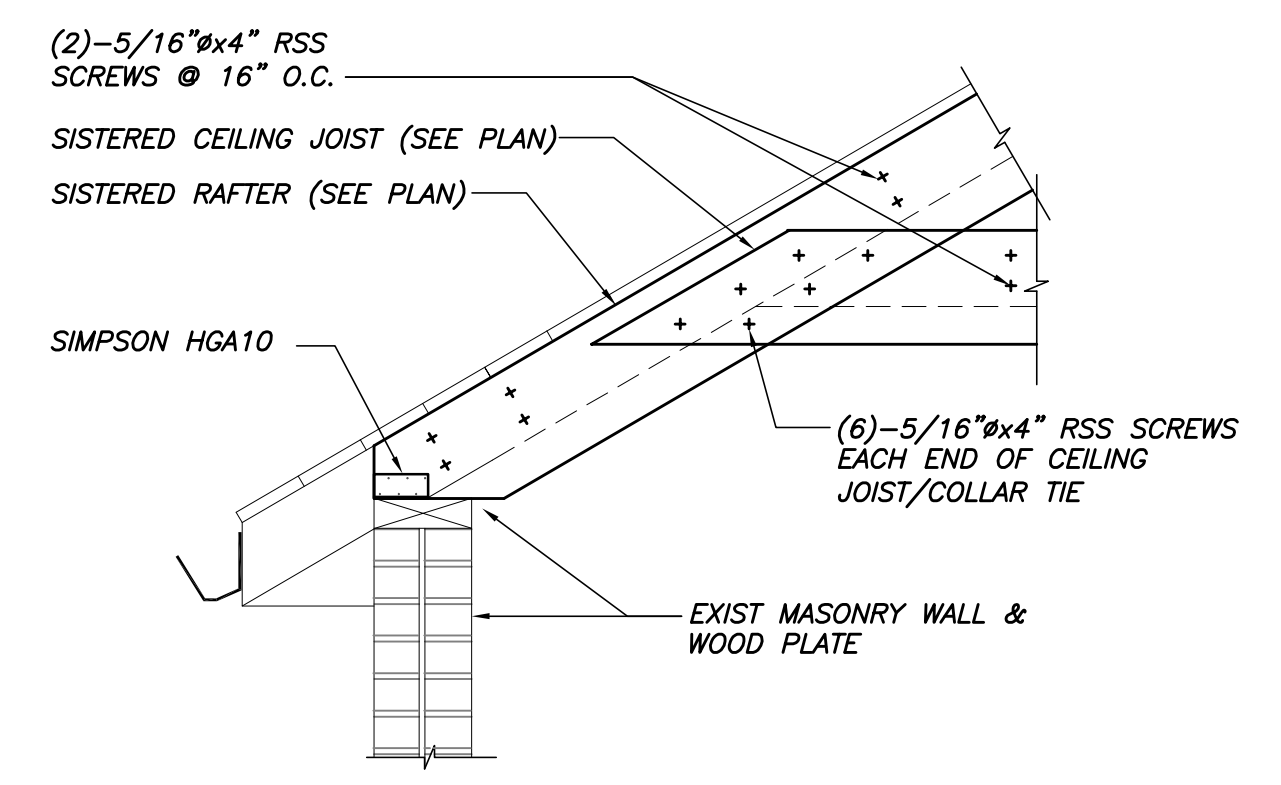
SECTION 3
3/4"=1'-0"



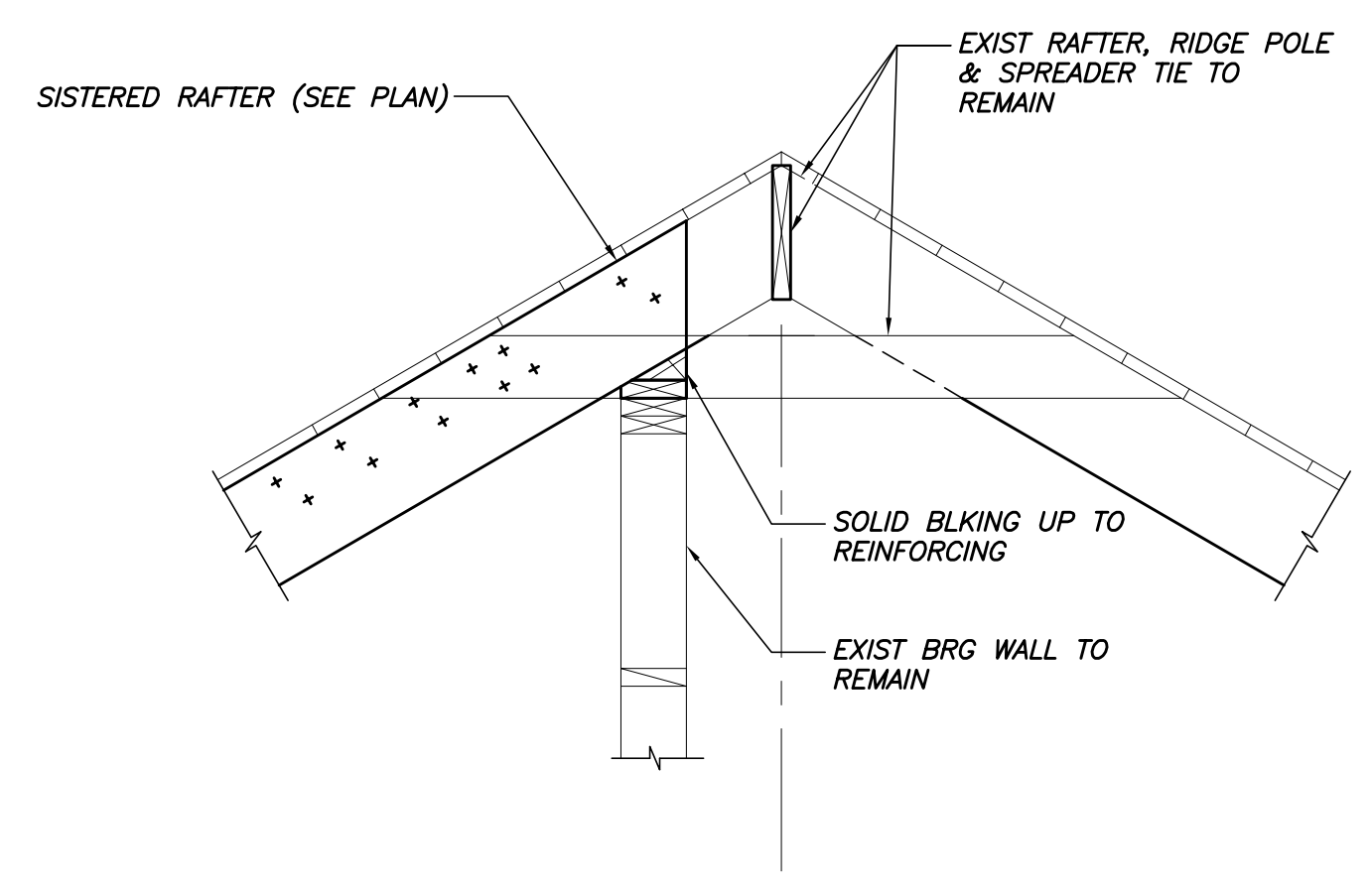
SECTION 4
3/4"=1'-0"



SECTION 5
3/4"=1'-0"



SECTION 6
3/4"=1'-0"



SECTION 7
3/4"=1'-0"

THIS DRAWING IS AN INSTRUMENT OF SERVICE AND SHALL REMAIN THE PROPERTY OF BECKER STRUCTURAL ENGINEERS INC. IT SHALL NOT BE REPRODUCED, COPIED, LENT OR DISPOSED OF DIRECTLY OR INDIRECTLY FOR ANY PURPOSE OTHER THAN FOR WHICH IT IS SPECIFICALLY FURNISHED AND MUST BE RETURNED TO BECKER STRUCTURAL ENGINEERS INC. ON COMPLETION OF WORK, IF REQUESTED.

BECKER
STRUCTURAL ENGINEERS
75 York Street, Portland, Maine 04101
207.879.1838 • beckerstructural.com

STATE OF MAINE
NATHAN R. MERRILL
No. 12223
Professional Seal

Approved For	
Date	
Rev. No.	

PINE ST. RESIDENCE
159 PINE STREET - PORTLAND, ME

SECTIONS AND DETAILS

Designed	NRM	Scale	NOTED
Drawn	MSK	Date	04/17/2015
Checked	DSB	Becker Job Number	3544

S2.1