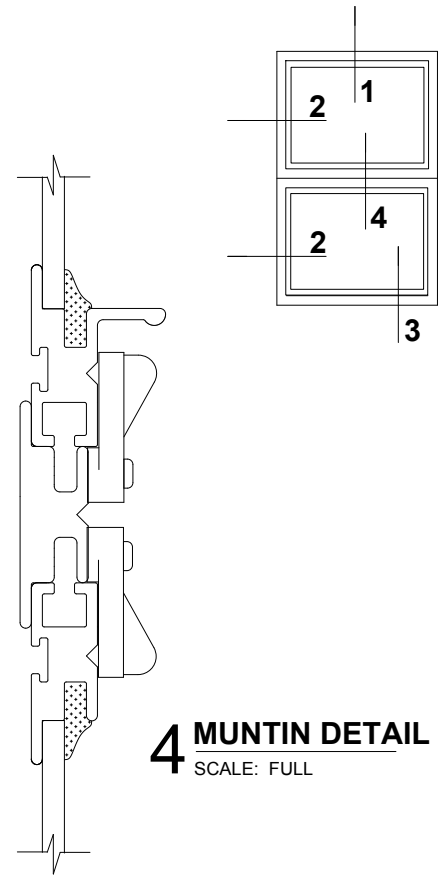
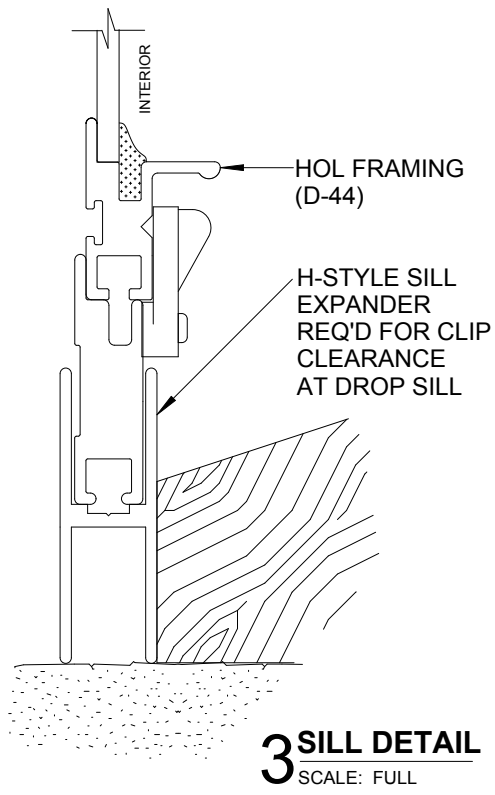


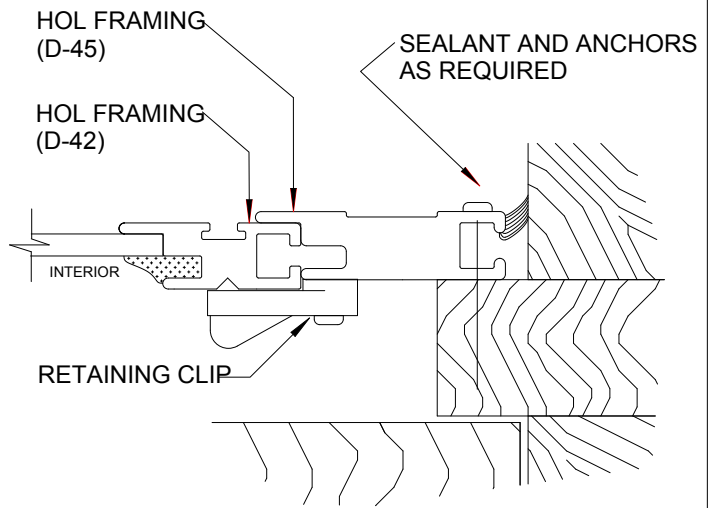
1 HEAD DETAIL
SCALE: FULL



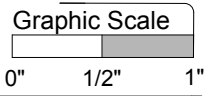
4 MUNTIN DETAIL
SCALE: FULL



3 SILL DETAIL
SCALE: FULL



2 JAMB DETAIL
SCALE: FULL



NOTE: INTERCHANGEABLE SCREEN AVAILABLE

PRODUCT
HISTORIC ONE LITE • HOL-C
TWO (2) REMOVABLE PANELS

DWG. NO.
H-4

Allied Window
Performance Panels™

11111 CANAL ROAD • CINCINNATI, OH 45241 • PH: 800-445-5411, 513-559-1212 • FAX: 513-559-1883 • www.alliedwindow.com • info@alliedwindow.com