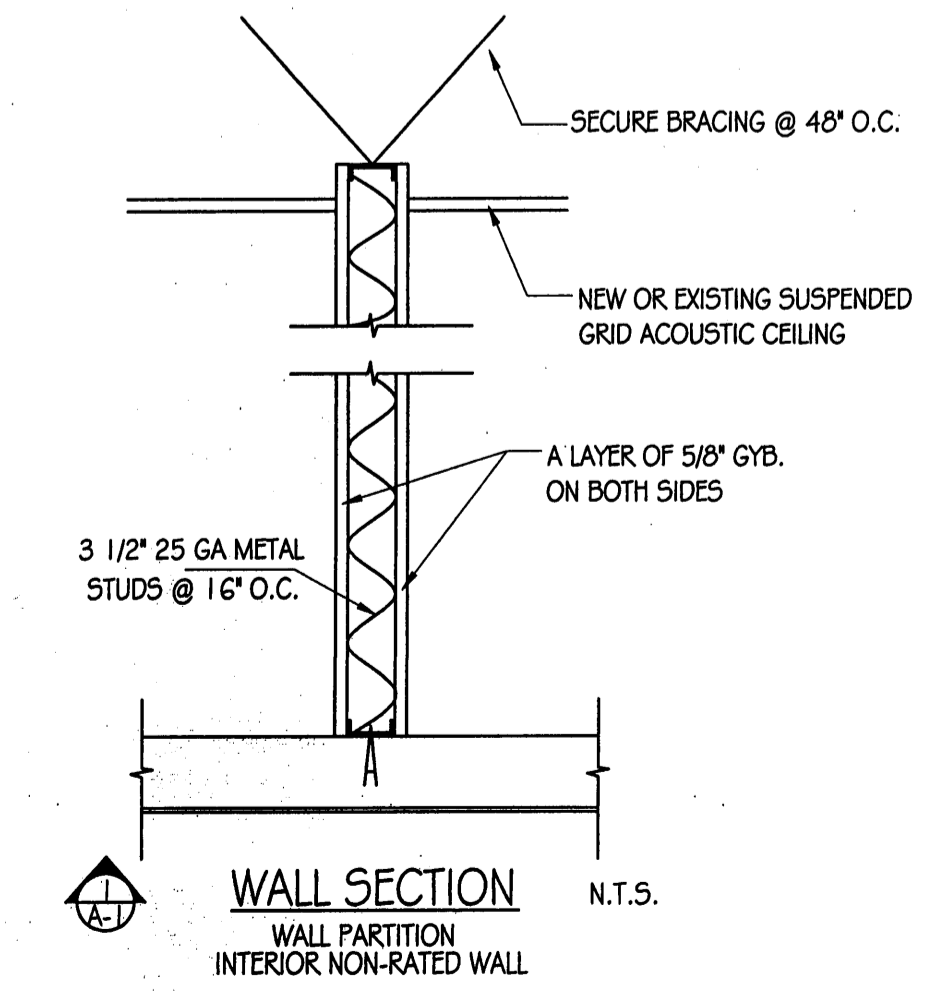
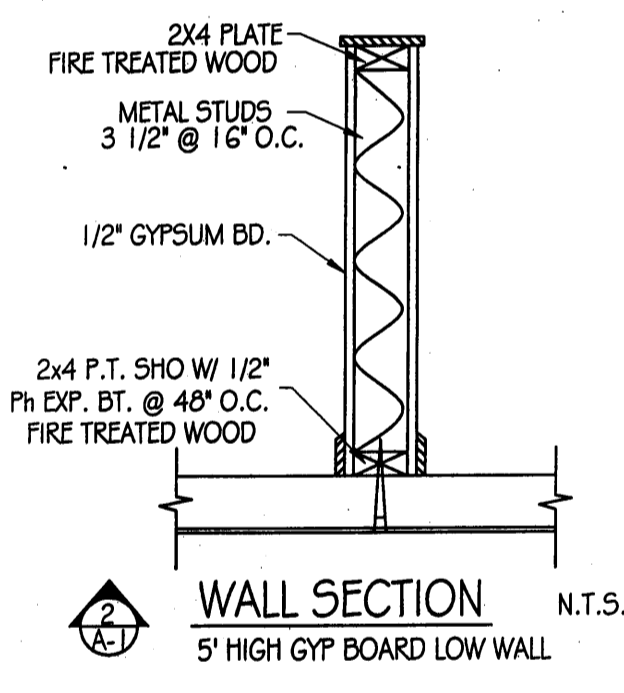


LEGEND

- DOOR
- EXISTING TENANT WALL
- EXISTING WALL
- INSULATED WALL BY COOLER / FREEZER'S MANUFACTURER
- 5'-HIGH LOW WALL
- NEW INTERIOR WALL
- STOREFRONT WINDOW/GLASS TO BE REMAINED
- FD
- EMERGENCY EXIT FIXTURE WITH 90 MIN. BACK-UP
- EMERGENCY LIGHTING FIXTURE WITH 90 MIN. BACK-UP
- PULL STATION
- STROBE / HORN



FLOOR PLAN
1/4" = 1'-0"

DATE: 03/25/2008

KING'S ASSOCIATES INC.
84 CANAL STREET, NYC, NY 10002
TEL: (212) 274-8833
FAX: (212) 274-8889

KON ASIAN BISTRO
1140 BRIGHTON AVENUE
PORTLAND, ME 04102

FLOOR PLAN
WALL SECTION

DWG. NO. ME0802061
A-1
2 OF 5