

VELUX Solar Powered "Fresh Air" Skylight VSS/VCS



VELUX Solar Powered "Fresh Air" Skylight

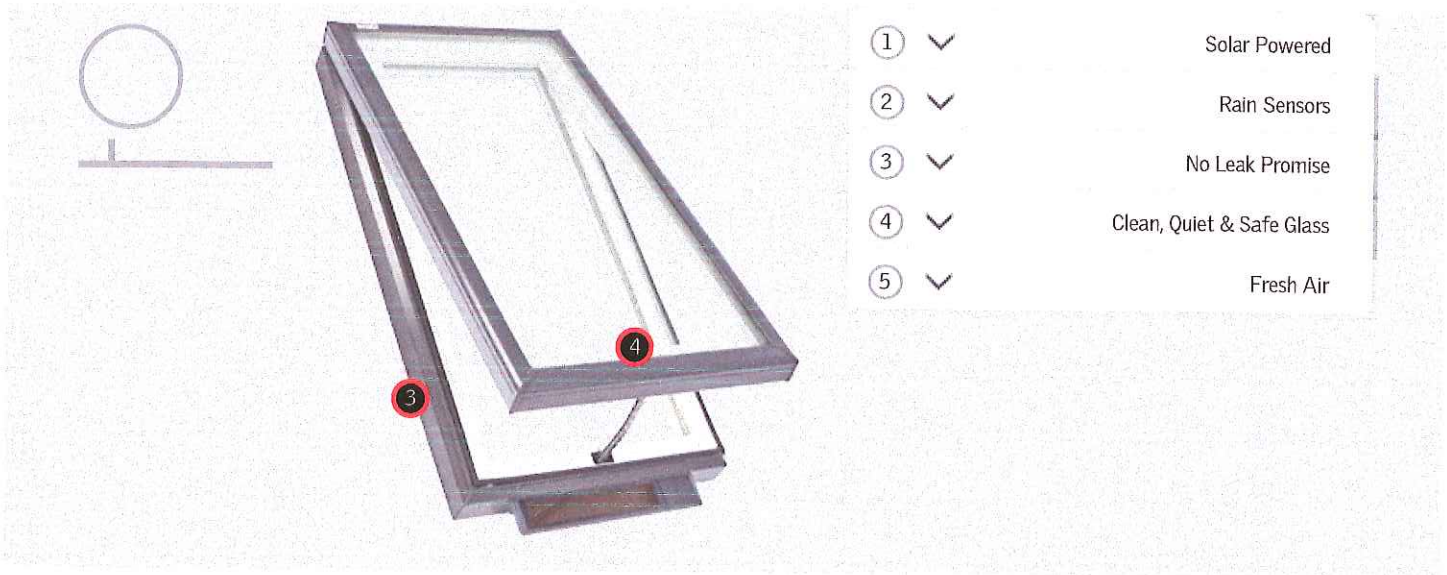
The Solar Powered "Fresh Air" Skylight features a solar panel that captures any available daylight and uses it to recharge a highly efficient, fully concealed battery powered operator and control system. The battery powered operator is the power source that opens and closes the skylight. A rain sensor is built in to close the unit in the event that inclement weather arises while you're away.

★★★★★ 4.9 | 95 Reviews

88 out of 90 (98%) reviewers recommend this product



Benefits of a Solar Powered "Fresh Air" Skylight



Price Range for a Single Solar Powered "Fresh Air" Skylight Install

With a small investment, you can dramatically transform any room in your home with daylight and fresh air. In the long run, installing skylights will help you save on your utility bills.

Installation Costs

Installation costs will vary according to the skylight model, number of skylights and your ceiling type. Listed below are price ranges for installation of a new, single skylight, including labor for interior and exterior finish work and for replacing an old skylight.

*All calculations are based on the estimated costs for both the product and installation. These estimates were generated assuming a typical installation and use national averages. Actual installation costs will vary from these estimates based on common variables in roof construction and shaft construction. Local delivery costs and applicable sales tax not considered for these estimates. These numbers are provided as estimates only. You must consult your contractor for validation of the actual price paid for your product and installation costs. These numbers are not intended to be used in your tax process for claiming your tax

New Skylight



Replacement Skylight



*Estimated cost after 30% Federal Tax Credit

[View all price ranges >](#)

VSS Size Code	C01	C04	C06	C08	M02	M04	M06	M08	S01	S06
Outside frame (W"xH")	21 ¹ / ₂ x 27 ³ / ₈	21 ¹ / ₂ x 38 ³ / ₈	21 ¹ / ₂ x 46 ¹ / ₄	21 ¹ / ₂ x 54 ¹ / ₁₆	30 ⁹ / ₁₆ x 30 ¹ / ₂	30 ⁹ / ₁₆ x 38 ³ / ₈	30 ⁹ / ₁₆ x 46 ¹ / ₄	30 ⁹ / ₁₆ x 54 ¹ / ₁₆	44 ³ / ₄ x 27 ³ / ₈	44 ³ / ₄ x 46 ¹ / ₄
Rough opening/ Finished frame (W"xH")	21 x 26 ⁷ / ₈	21 x 37 ⁷ / ₈	21 x 45 ³ / ₄	21 x 54 ⁷ / ₁₆	30 ¹ / ₁₆ x 30	30 ¹ / ₁₆ x 37 ⁷ / ₈	30 ¹ / ₁₆ x 45 ³ / ₄	30 ¹ / ₁₆ x 54 ⁷ / ₁₆	44 ¹ / ₄ x 26 ⁷ / ₈	44 ¹ / ₄ x 45 ³ / ₄

Solar Powered "Fresh Air" Skylight (VCS) - Curb Mounted

VCS Size Code	2222	2234	2246	3030	3046	3434	4622	4646
Inside curb (W"xH")	22 ¹ / ₂ x 22 ¹ / ₂	22 ¹ / ₂ x 34 ¹ / ₂	22 ¹ / ₂ x 46 ¹ / ₂	30 ¹ / ₂ x 30 ¹ / ₂	30 ¹ / ₂ x 46 ¹ / ₂	34 ¹ / ₂ x 34 ¹ / ₂	46 ¹ / ₂ x 22 ¹ / ₂	46 ¹ / ₂ x 46 ¹ / ₂
Outside curb (W"xH")	25 ¹ / ₂ x 25 ¹ / ₂	25 ¹ / ₂ x 37 ¹ / ₂	25 ¹ / ₂ x 49 ¹ / ₂	33 ¹ / ₂ x 33 ¹ / ₂	33 ¹ / ₂ x 49 ¹ / ₂	37 ¹ / ₂ x 37 ¹ / ₂	49 ¹ / ₂ x 25 ¹ / ₂	49 ¹ / ₂ x 49 ¹ / ₂
Maximum skylight clearance (W"xH")	26 ⁹ / ₁₆ x 26 ⁹ / ₁₆	26 ⁹ / ₁₆ x 38 ⁹ / ₁₆	26 ⁹ / ₁₆ x 50 ⁹ / ₁₆	34 ⁹ / ₁₆ x 34 ⁹ / ₁₆	34 ⁹ / ₁₆ x 50 ⁹ / ₁₆	38 ⁹ / ₁₆ x 38 ⁹ / ₁₆	50 ⁹ / ₁₆ x 26 ⁹ / ₁₆	50 ⁹ / ₁₆ x 50 ⁹ / ₁₆

[View gallery >](#)

VELUX Solar Powered Fresh Air Skylight



Reviews

Rating Snapshot

Average Customer Ratings