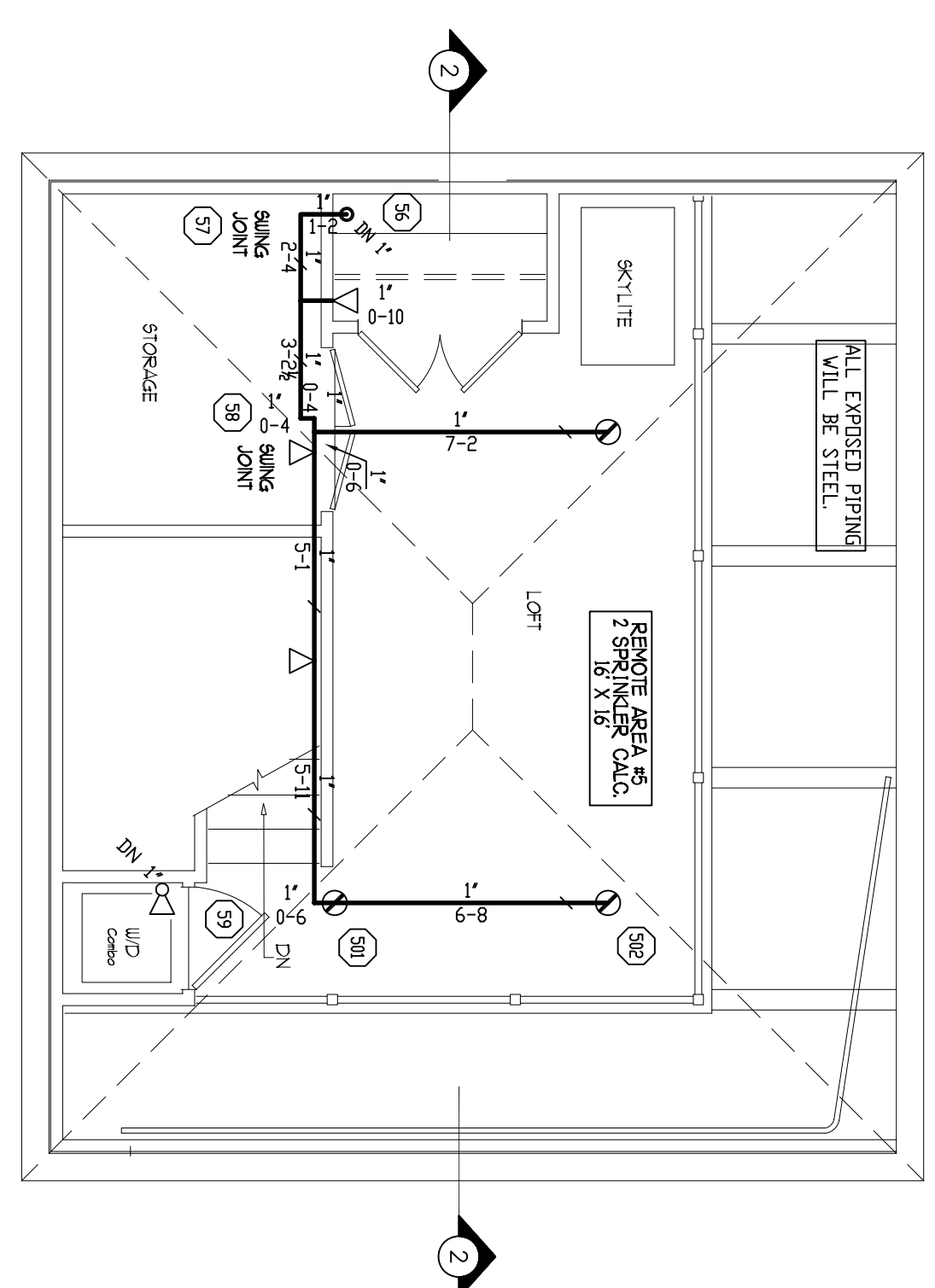
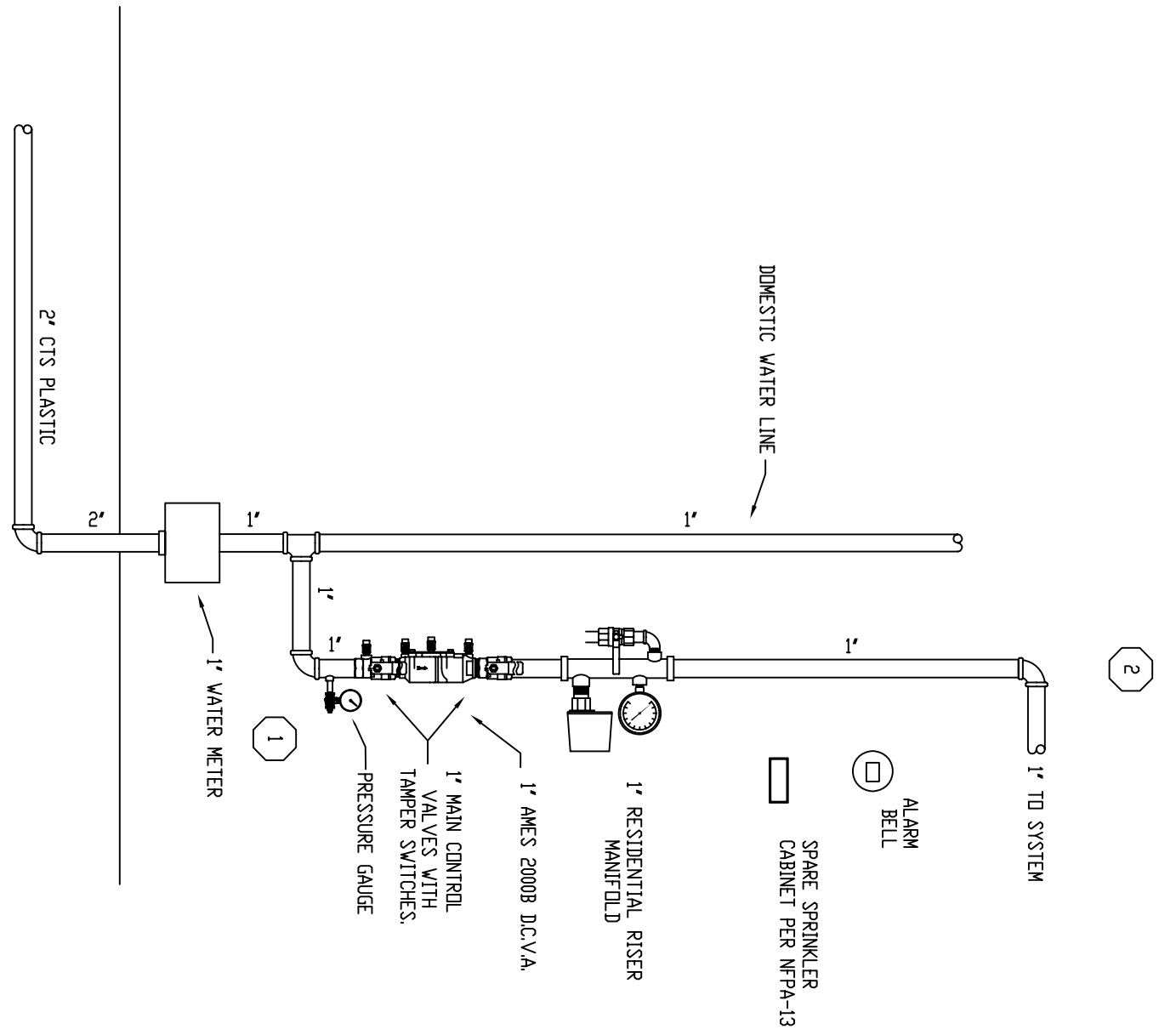


SECTION VIEW
SCALE 1/4"=1'-0"

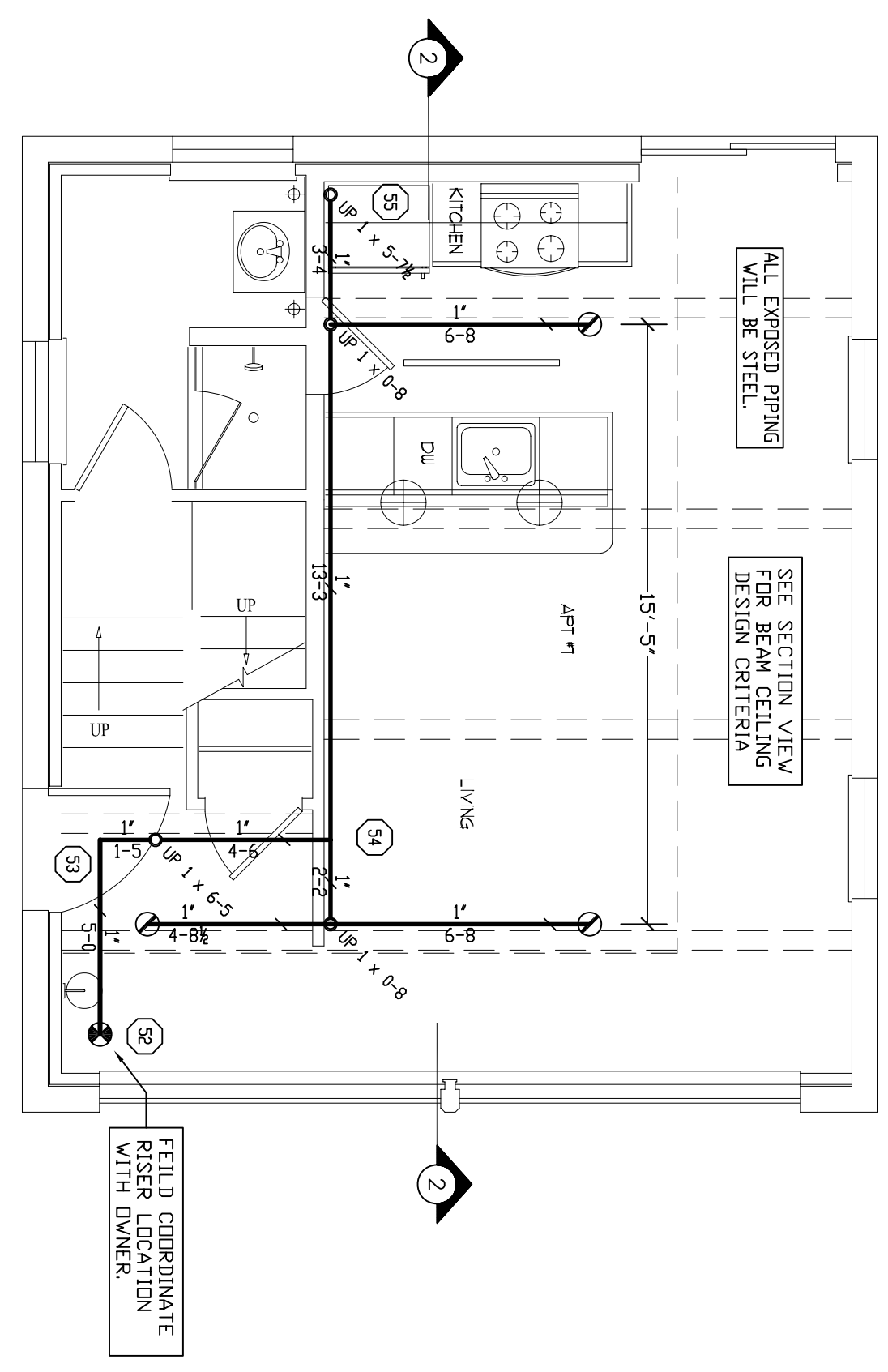


CARRIAGE HOUSE LOFT
FIRE PROTECTION
SCALE 1/4"=1'-0"
QUANTITY: 3
QUANTITY: 4

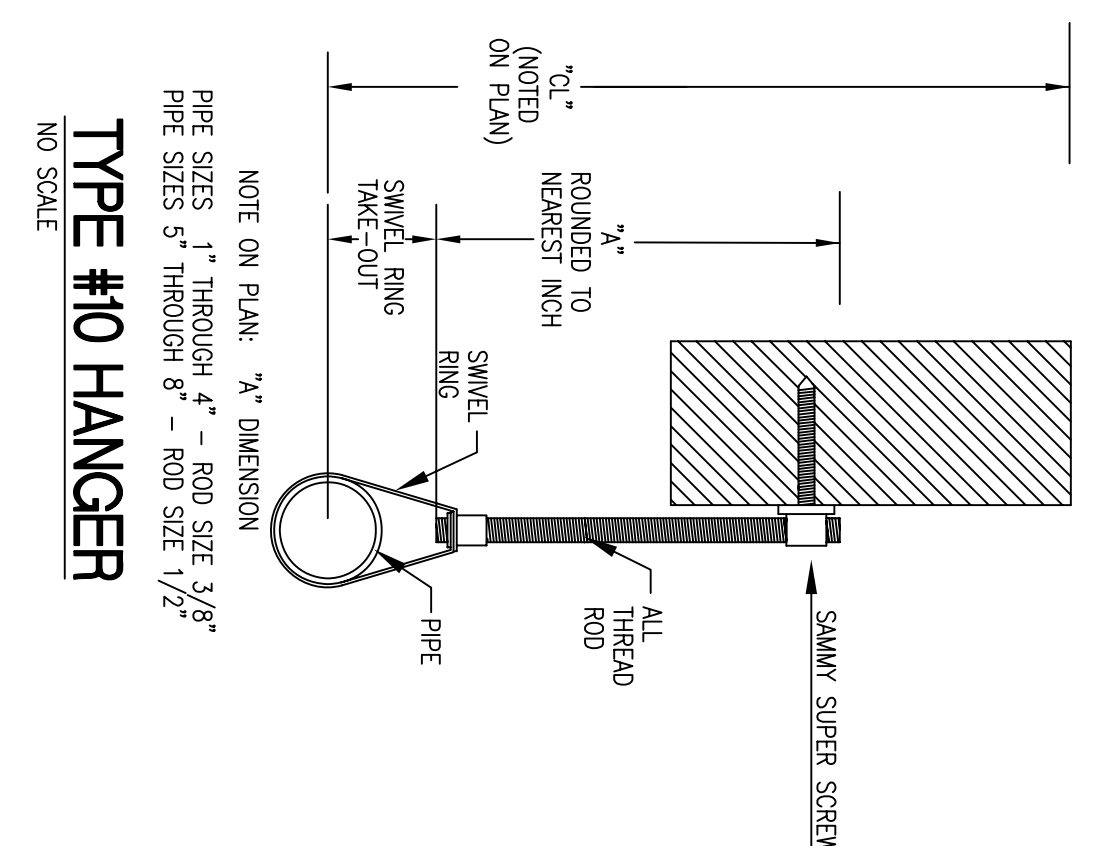
HYDRAULIC DESIGN DATA	
System # & Area	#2 - #1
No. of Sprinklers	2
Density	0.05 GPM
Designed Area	2 SPRINKLER DIALC
Hose Allowance	N/A
Water Flow Rate	26 GPM
Residual Pressure at Base of Riser	39 PSI
Safety Factor	727 PSI



FIRE SPRINKLER RISER DETAIL
SCALE NTS



CARRIAGE HOUSE GROUND FLOOR
FIRE PROTECTION
SCALE 1/4"=1'-0"
QUANTITY: 3



REVISIONS	NOTES	SPRINKLER TYPE	IDENTIFICATION NO.	MFG.	ESC.	MODEL	FINISH	ORIFICE	TEMP.	SYMBOL	QUANT.
		QUICK RESP. PENDANT K-4.9	T72234	TTCO	MA	UTJ	WHITE	1/2"	155°	⊙	4
		QUICK RESP. SIDEWALL K-4.4	T72334	TTCO	2 PIECE	LJI	WHITE	1/2"	155°	⊙	6
TOTAL SPRINKLERS THIS DRAWING											

HEAD COUNT	
HEAD FINISH	QUANT.
BRASS	5
WHITE	4

STANDARD SYMBOLS	
⊙	POST INDICATOR VALVE
⊙	KEY VALVE
⊙	FIRE INDICANT
⊙	FIRE DEPT. CONNECTION
⊙	O.S. & Y GATE VALVE
⊙	SWING CHECK VALVE
⊙	MAN UNDERGROUND
⊙	DRN UNDERGROUND

STANDARD SYMBOLS	
⊙	ALARM CHECK VALVE
⊙	RSBR W/ALARM VALVE
⊙	RSBR W/DRY VALVE
⊙	RSBR W/ELEC. FLOW SWITCH
⊙	RSBR W/RELUC. VALVE
⊙	WATER MOTOR BELL
⊙	ELECTRIC BELL
⊙	FRESH AIR DEPT. CONNECTION

INSPECTIONS	
1.	
2.	
3.	
4.	

191 PINE STREET
PORTLAND, MAINE 04103

FIRE PROTECTION PLAN

FREEDOM FIRE PROTECTION, INC.
209 QUAKER RIDGE ROAD
CASCO, MAINE 04015

JOB No. M0087
DATE 9/14/12
DRAWN BY MAN
SCALE AS NOTED
SHEET No.

FP-5015