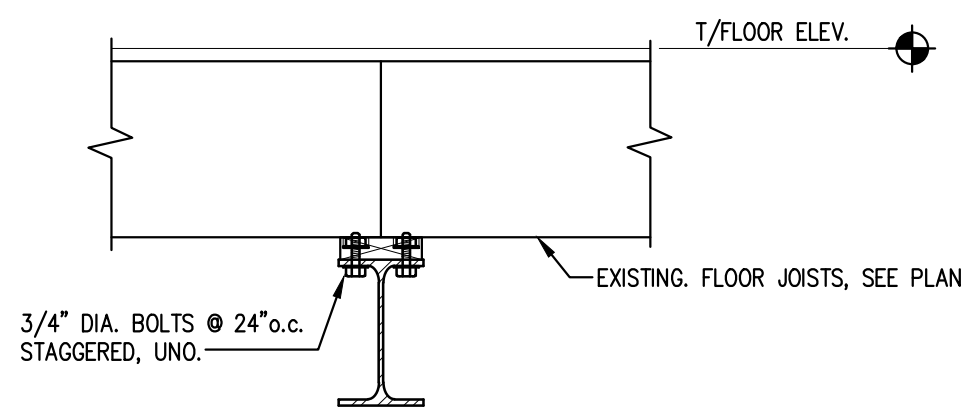


ISSUE	DESCRIPTION
No.	DATE

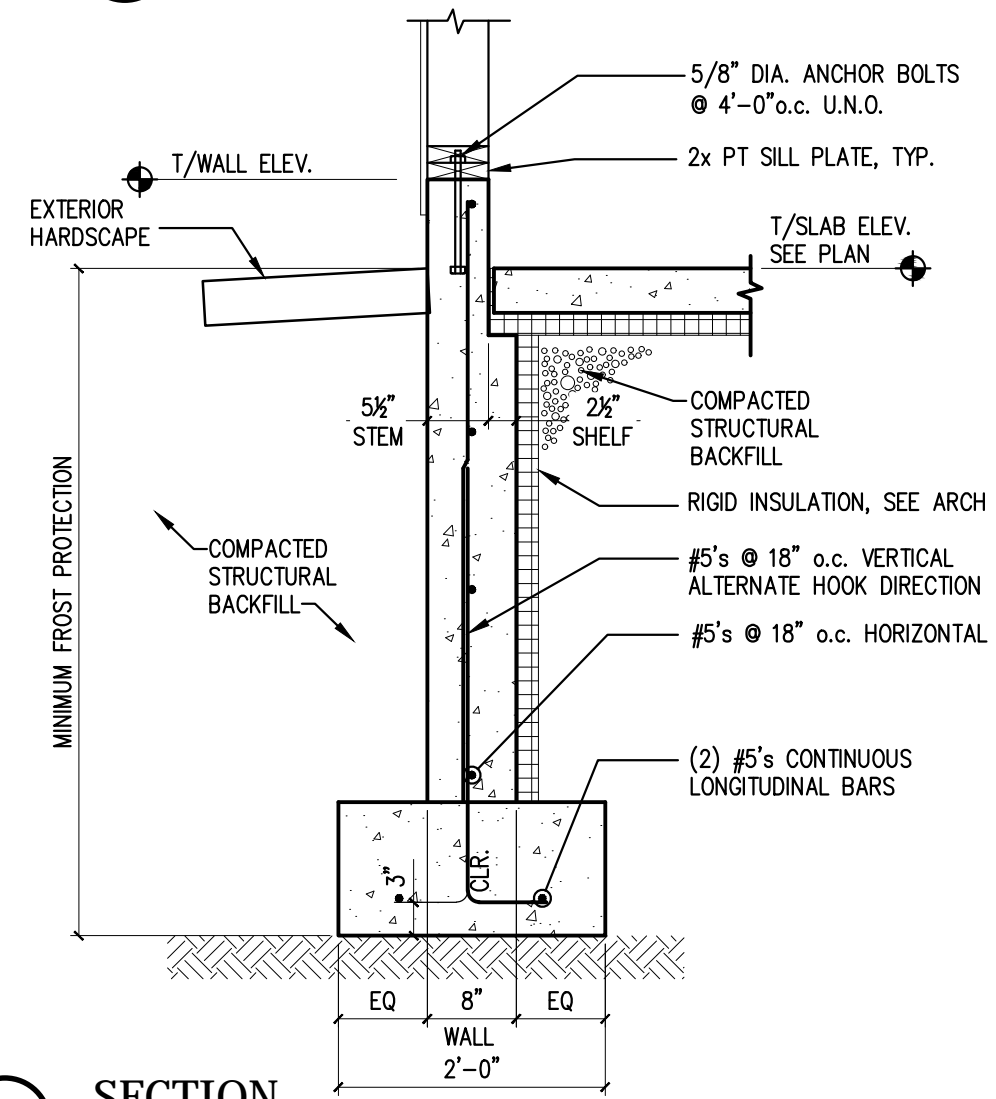
SHEET TITLE:
SECTIONS

DESIGNED: ED
 DRAWN: AR
 DATE: 7-14-16
 PROJECT No: 16-095

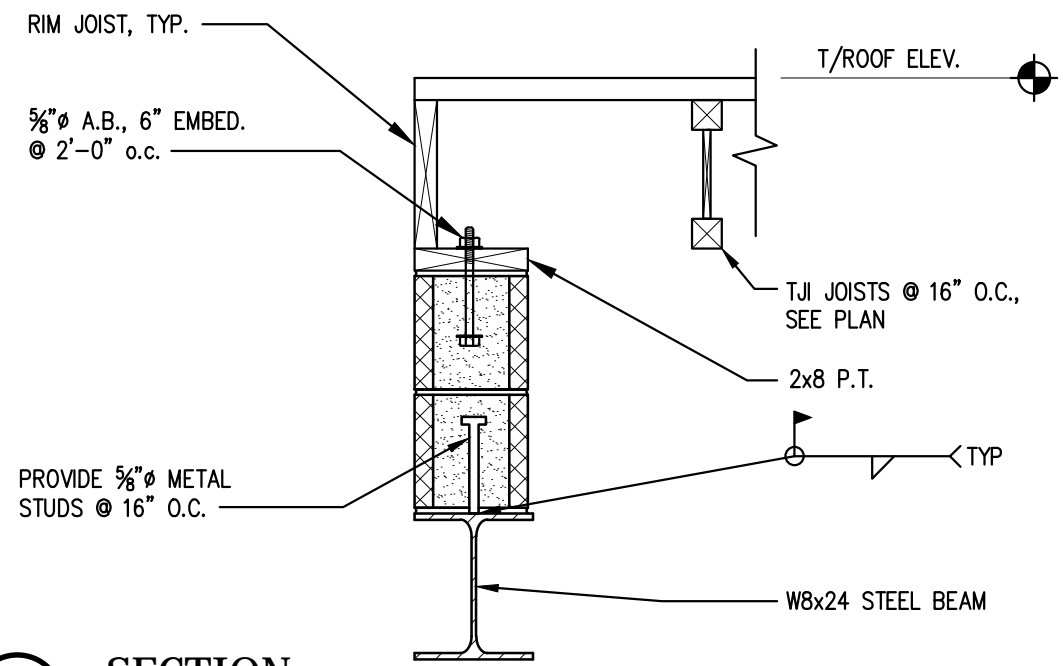
S2.1



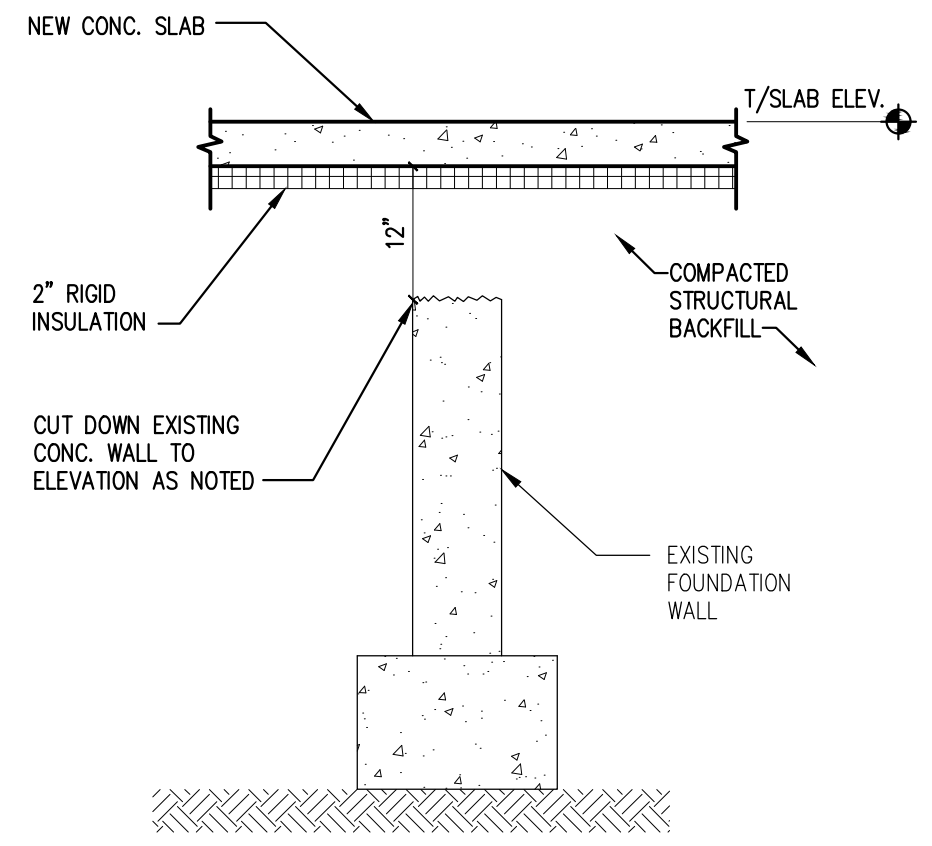
4 SECTION
 1" = 1'-0"



1 SECTION
 3/4" = 1'-0"



3 SECTION
 1" = 1'-0"



2 SECTION
 3/4" = 1'-0"