

EXISTING HOUSE BRICK WALL

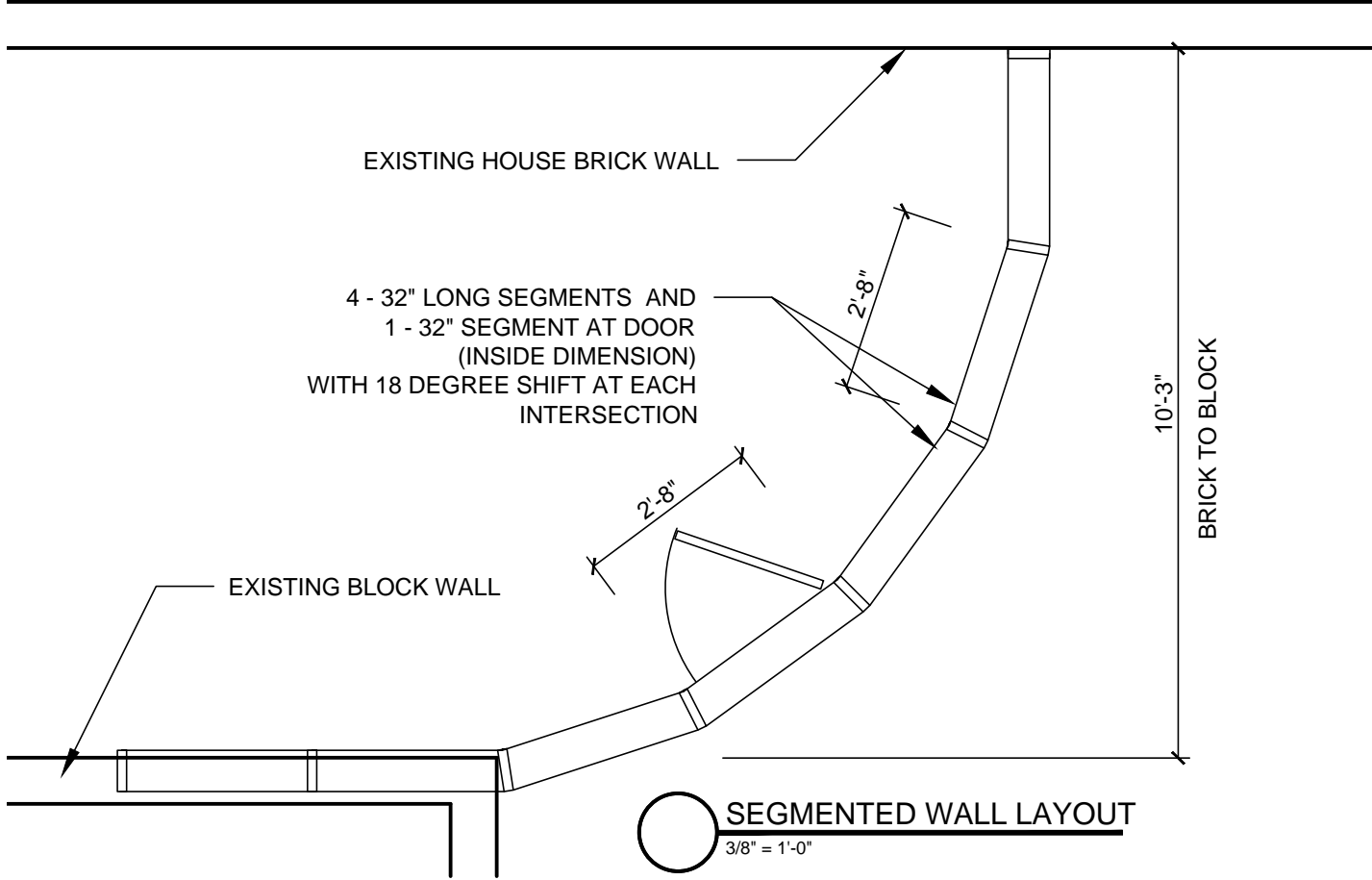
4 - 32" LONG SEGMENTS AND  
1 - 32" SEGMENT AT DOOR  
(INSIDE DIMENSION)  
WITH 18 DEGREE SHIFT AT EACH  
INTERSECTION

2'-8"

2'-8"

10'-3"  
BRICK TO BLOCK

EXISTING BLOCK WALL



SEGMENTED WALL LAYOUT

3/8" = 1'-0"

WHITE .060 EPDM ROOF MEMBRANE

1 TO 2 1/2" TAPERED INSULATION

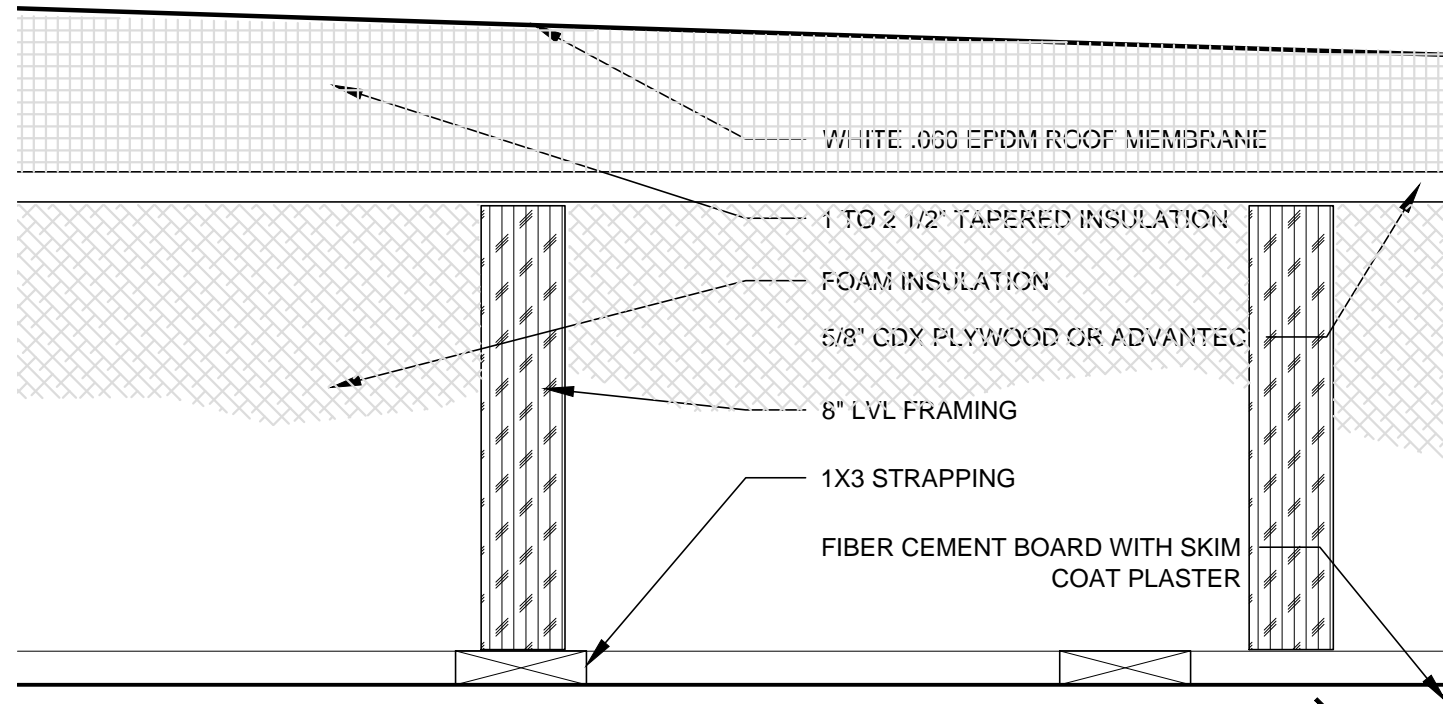
FOAM INSULATION

5/8" CDX PLYWOOD OR ADVANTEC

8" LVL FRAMING

1X3 STRAPPING

FIBER CEMENT BOARD WITH SKIM  
COAT PLASTER



2X6 PT FRAMING

1/2" CDX WITH 1/4" HOMESLICHER

EXTERIOR GRADE FIR PLYWOOD

1'-0"  
FIELD VERIFY

3 3/4"  
1 3/4"  
1 1/4"  
1 1/4"

1 3/4" X 7 1/4" LVL  
EXTERIOR GRADE

REMOVABLE INTERIOR  
STOP

DK BRONZE PULTRUSION  
FIBERGLASS ANGLE

1" TEMPERED LOW "E" GLAZING

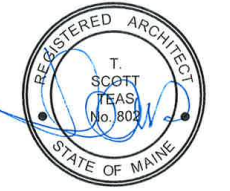
GLASS / WOOD HEAD DETAIL

2

3" = 1'-0"

SCATTERGOOD DESIGN  
architecture + planning

80 middle street  
portland, maine 04101  
207-775-6141  
scattergooddesign.com



104 WEST STREET FORSYTH RESIDENCE

SEGMENTED ENTRANCE WALL  
HEAD DETAILS

scale	1/4" = 1'-0"
date	18 JULY 2016
project #	1507
drawn by	TST
checked by	

A 5.3