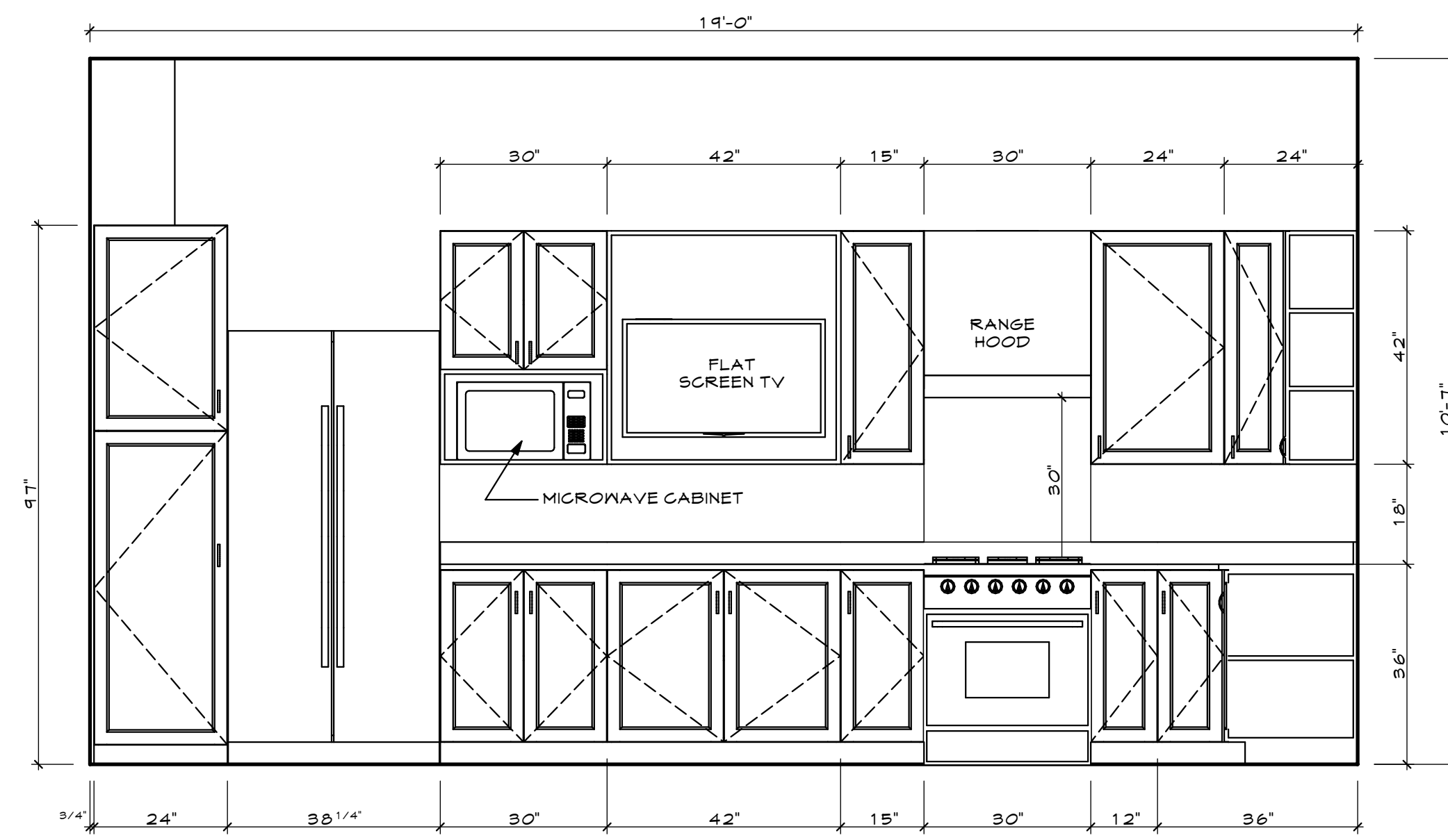
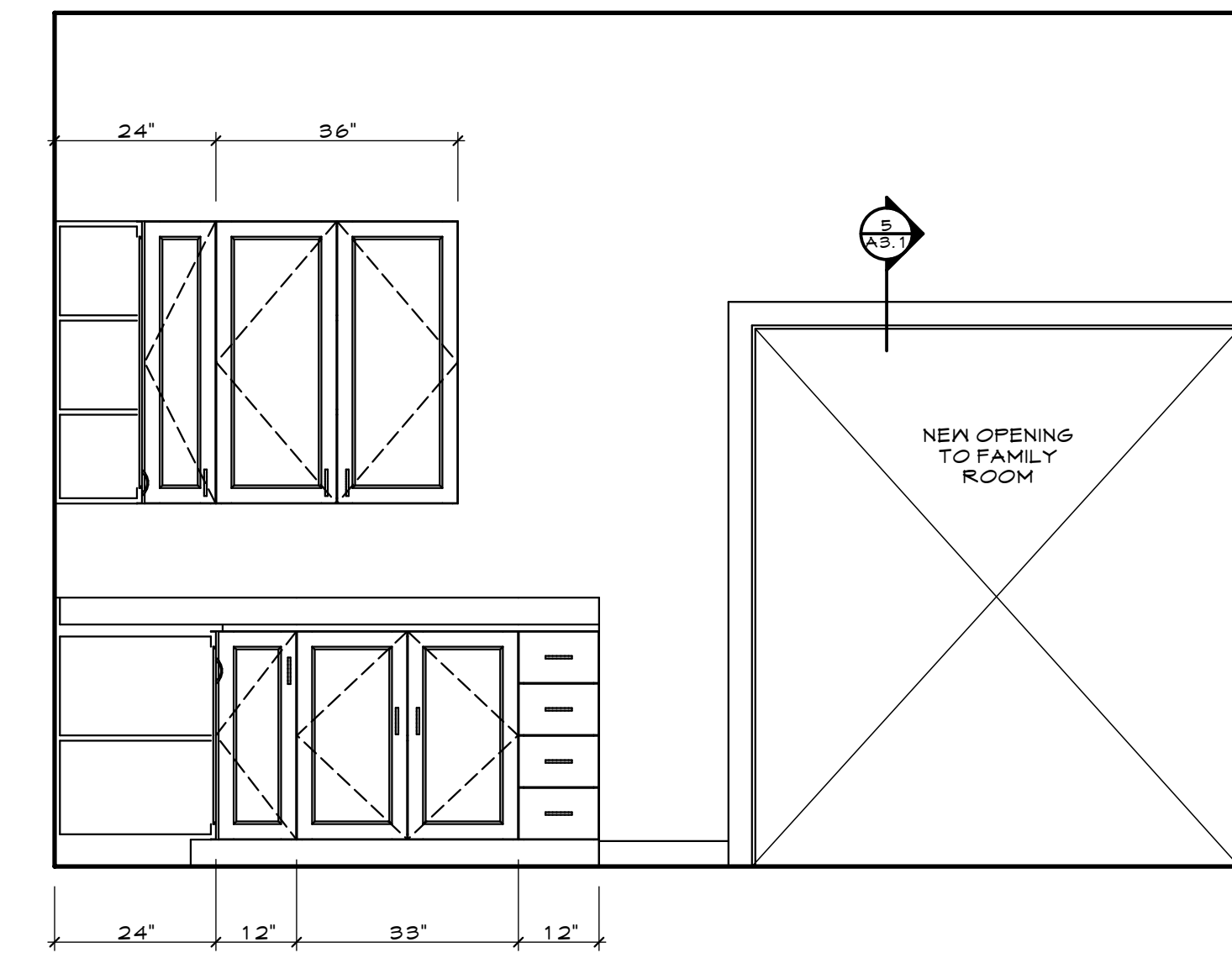


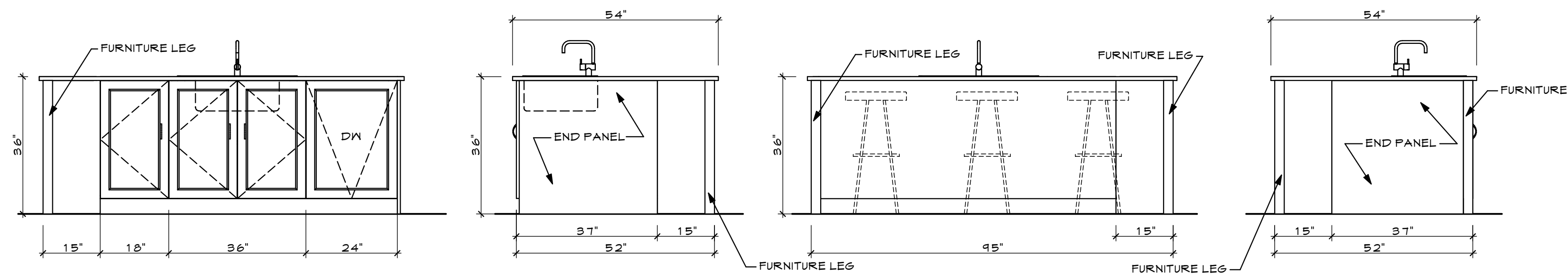
1
A3.1 **KITCHEN INTERIOR ELEVATION**
SCALE: 1/2" = 1'-0"



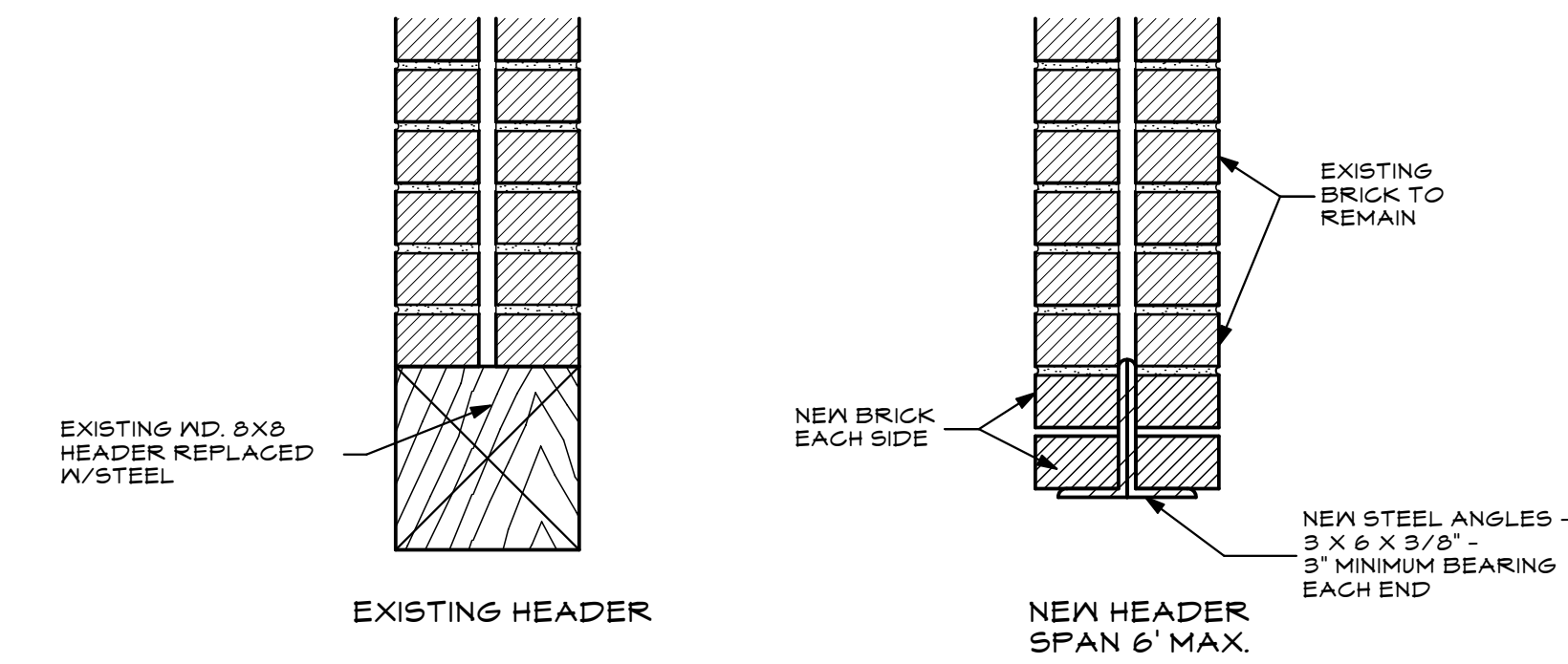
2
A3.1 **KITCHEN INTERIOR ELEVATION**
SCALE: 1/2" = 1'-0"



3
A3.1 **KITCHEN INTERIOR ELEVATION**
SCALE: 1/2" = 1'-0"



4
A3.1 **INTERIOR ELEVATIONS OF KITCHEN ISLAND**
SCALE: 1/2" = 1'-0"



5
A3.1 **HEADER DETAILS**
SCALE: 1 1/2" = 1'-0"