



FILL IN AND SIGN WITH INK

# APPLICATION FOR PERMIT HEATING OR POWER EQUIPMENT

NOV 17 2003

RECEIVED

To the INSPECTOR OF BUILDINGS, PORTLAND, ME.

The undersigned hereby applies for a permit to install the following heating, cooking or power equipment in accordance with the Laws of Maine, the Building Code of the City of Portland, and the following specifications:

Location / CBL 063 D010001 Use of Building Residential Date 10/29/03  
 Name and address of owner of appliance Elizabeth Dodge, 53 West St. Unit 2 (Condo)  
 Installer's name and address Black Stove Shop, Rt 1, Yarmouth Telephone 846-9030

### Location of appliance:

- Basement
- Floor (First)
- Attic
- Roof

### Type of Fuel:

- Gas
- Oil
- Solid

Appliance Name: Waterford DV Gas Insert

U.L. Approved  Yes  No

Will appliance be installed in accordance with the manufacture's installation instructions?  Yes  No

IF NO Explain: \_\_\_\_\_

### The Type of License of Installer:

- Master Plumber # \_\_\_\_\_
- Solid Fuel # \_\_\_\_\_
- Oil # \_\_\_\_\_
- Gas # Tim Manocchio MS30007639
- Other \_\_\_\_\_

### Type of Chimney:

- Masonry Lined  
Factory built with (2) 3" Flex Liners (AL) WENT TO TOP OF Masonry chimney
- Metal

Factory Built U.L. Listing # \_\_\_\_\_

Direct Vent  
Type \_\_\_\_\_ UL# \_\_\_\_\_

### Type of Fuel Tank

- Oil
- Gas NG

Size of Tank No Tank / Natural Gas

Number of Tanks No Tank / Natural Gas

Distance from Tank to Center of Flame \_\_\_\_\_ feet.

Cost of Work: \$ \$500.00

Permit Fee: \$ \_\_\_\_\_

### Approved

### Approved with Conditions

Fire: Jay Kelley, P.F.D. 2/6/04  
 Ele.: \_\_\_\_\_  
 Bldg.: \_\_\_\_\_

See attached letter or requirement

Inspector's Signature

Date Approved

Signature of Installer

Don Ferry Store Manager  
 White - Inspection Yellow - File Pink - Applicant's Gold - Assessor's Copy

1102

February 2, 2004

Karen Dunphy  
Portland Code Enforcement  
Phone: 874-8703  
Fax: 874-8716

Don Ferry  
Black Stove Shops  
Phone: 846-9030  
Fax: 846-1446

Ms. Dunphy,

The following five pages are the specification sheets that you requested in order to approve the gas appliance installation for Elizabeth Dodge.

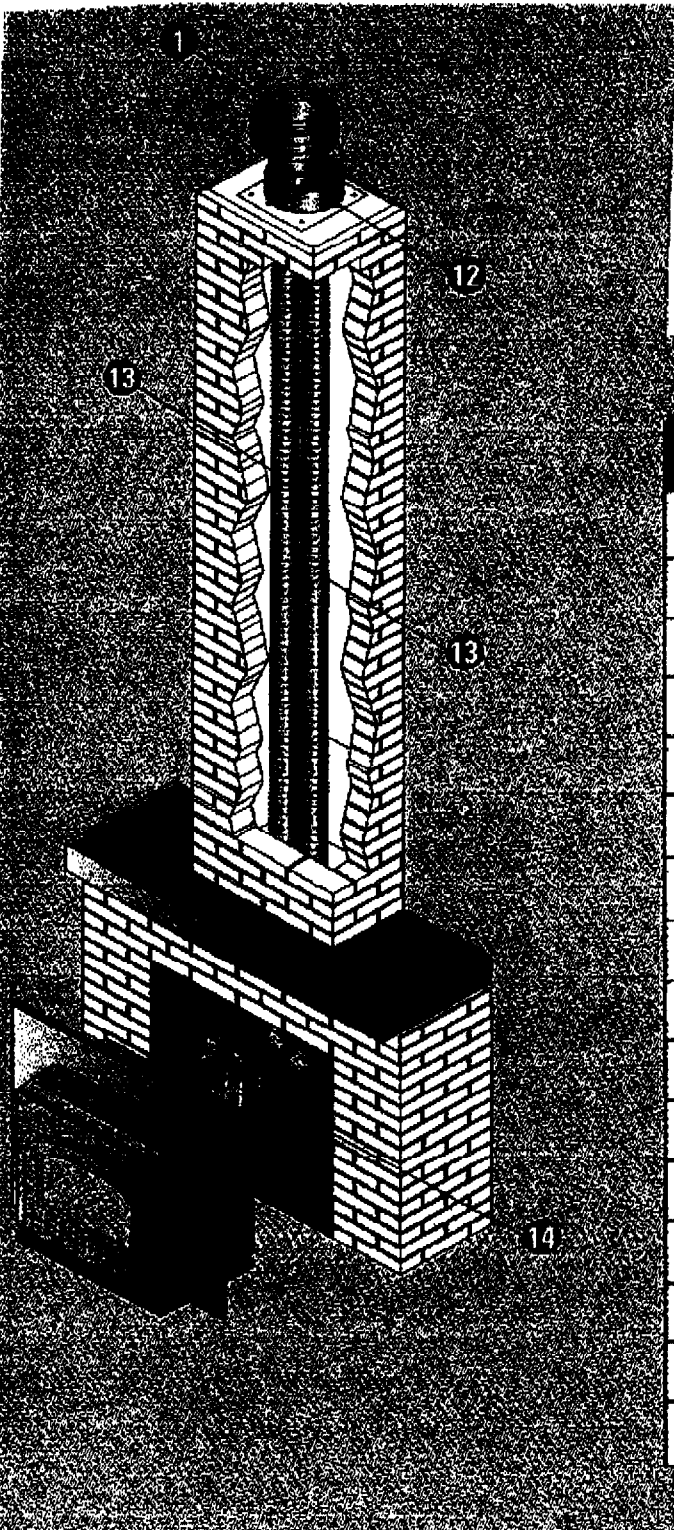
- ❖ Page one is a schematic of what the installation will look like. Notice the numbers that correspond with this installation are: (1) Vertical Termination Cap, (12) Chimney Liner Termination Kit, (13) 3" flex liner, and finally (14) Co-Axial To Co-Linear Connector. NOTE: This application will not require #14 since the appliance is already set up for a co-linear application.
- ❖ Page two shows the appliance as a co-linear application. Photographs of the appliance termination are located on the top right corner of the page. It also lists the following components as manufacturer authorized parts. This information is located on the top left corner of the page listed under " Alternate Approved Caps"
- ❖ Page three illustrates the specifications of the 3" flex liner that is connected directly off the top of the appliance.
- ❖ Page four illustrates the specifications for part# 923GK, which is the chimney liner termination kit. It is used to convert the 3" flex liner from co-linear to co-axial. The kit also includes a top plate to seal moisture out of the chimney.
- ❖ Page five illustrates the specifications for part# 991, which is the high wind chimney cap. This cap is used to complete the termination of the gas run and is used to separate the exhaust from the cool air drawn in, which is necessary for combustion.

The Black Stove Shop has 35 years of experience with this type of installation. The parts that will be used for the Dodge job are standard, industry wide. The installation itself is straight forward and without complication. Ms. Dodge's appliance, is scheduled to be installed on Monday, February 16, 2004. Please use the supplied information to expedite the approval of her application. Thank you for your attention to this matter.

Regards,

  
Don Ferry  
Store Manager

Page One



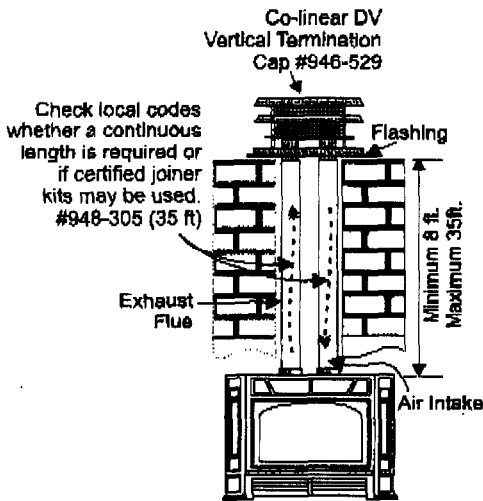
1	Vertical Termination Cap
2	Storm Collar
3	Flashing
4	Cathedral Ceiling Support Box
5	Pipe
6	45 Degree Elbow
7	Class A Chimney Conversion Kit
8	4" Flex
9	90 Degree Elbow
10	Horizontal Termination Cap
11	Snorkel Termination Cap
12	Chimney Liner Termination Kit
13	3" Flex
14	Co-Axial to Co-Linear Connector
15	Masonry Chimney Conversion Kit
16	Elbow Strap

Part #	Description
948-305	3" Flex - 35 ft.
946-529*	Co-linear DV Vertical Termination Cap

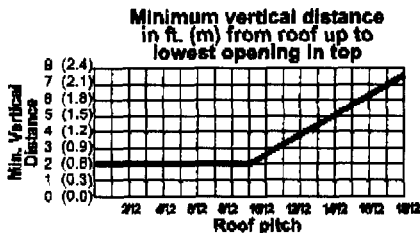
Alternate	Approved Caps
980	Vertical Termination Cap
991	High Wind Cap
923GK	3" Co-linear Adaptor with flashing

\*Recommended for installations up to and including 25 ft. (7.6m) in length/height.

The Air Intake pipe must be attached to the inlet air collar of the termination cap.

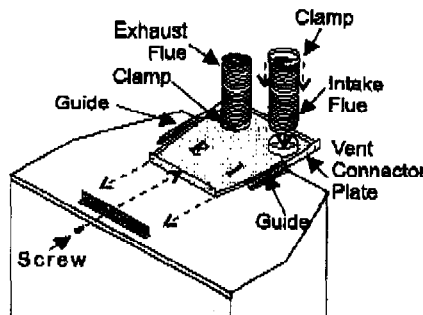


Check local codes whether a continuous length is required or if certified joiner kits may be used. #948-305 (35 ft)

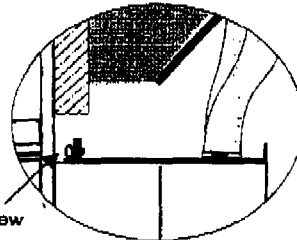
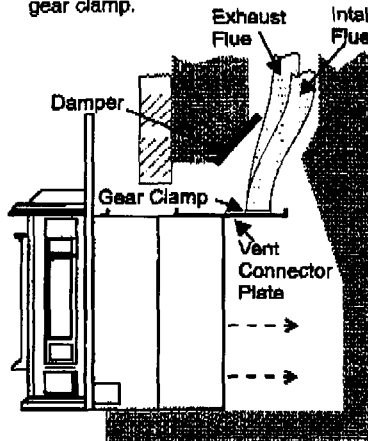


### FLUE LINER INSTALLATION

- 1) Cut the flex liner as required.
- 2) Mark the end of one liner to indicate Inlet.
- 3) Connect the other end of the above liner to the inlet side of the termination adaptor, seal connection with high temperature silicone. Secure with gear clamp.
- 4) Connect the 2nd liner to the exhaust side of the adaptor. seal connection with high temperature silicone. Secure with gear clamp.



- 5) Install flashing.
- 6) Insert both liners into chimney, passing through the damper opening.
- 7) Install termination cap.
- 8) Connect the marked end of the liner to the inlet collar of the vent connector plate marked with an "I", seal connection with high temperature silicone. Secure with gear clamp.
- 9) Connect the 2nd liner to the exhaust collar marked with an "E", seal connection with high temperature silicone. Secure with gear clamp.

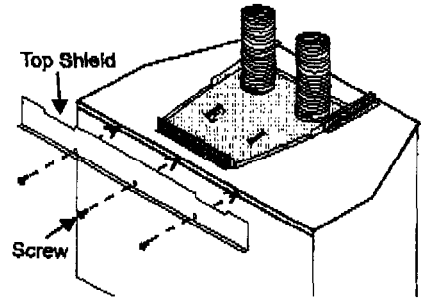


**NOTE:**

- 1) Final gas connection should be made after unit is in place to avoid damage to line when pushing the unit into position.
- 2) Mill-pac may be used instead of high temperature silicone and screws may be used instead of gear clamps at con-

nections of liner to inlet and vent collars.

- 10) Attach the top shield to the top front lip of the firebox using 3 screws.



### CONVERSION KIT FROM NATURAL GAS TO PROPANE MODEL #260-960

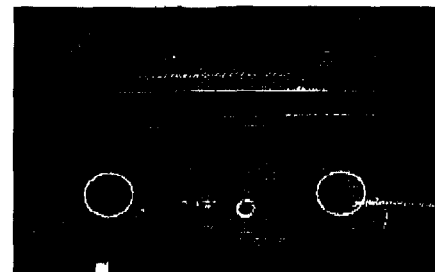
for Emerald E61 Gas Insert using SIT 820 NOVA Gas Valve

**THIS CONVERSION MUST BE DONE BY A QUALIFIED GAS FITTER IF IN DOUBT DO NOT DO THIS CONVERSION!!**

Conversion Kit Contains:

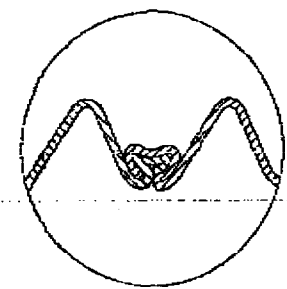
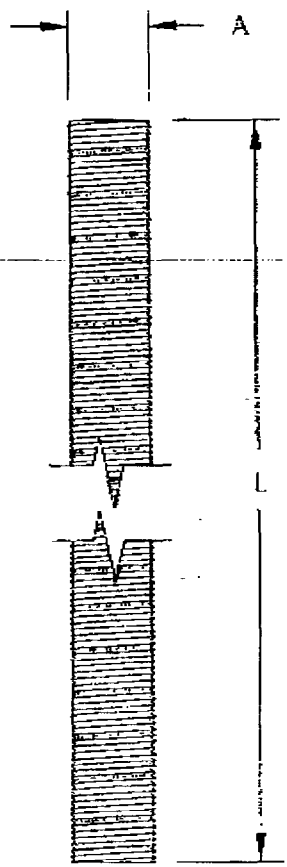
Qty.	Part #	Description
1	910-018	SIT Conversion Kit-50% Tumdown LP
1	910-383	LP Injector (Pilot Orifice)
1	904-641	Burner Orifice #50
1	908-455	Decal "Converted to Propane"
1	908-528	Red "PROPANE" label
1	908-173	Instruction Sheet

- 1) Shut off the gas supply.
- 2) Open the lower grill and remove the 2 screws holding the control panel in place.

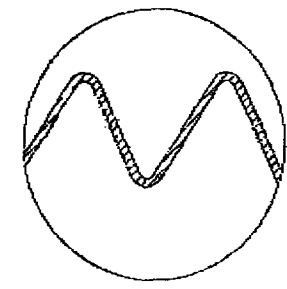


Remove the 2 screws holding the Control Panel in place.

INT	REV	ECO #	DATE
-----	-----	-------	------



DETAIL OF FLEX PIPE LOCKSEAM



DETAIL OF SINGLE PLY FLEX PIPE

PART NAME	MATERIAL
FLEX SECTION	.005 PER PLY - 010 TOTAL 1100, 3003, 3104, 3105 OR 5010 SERIES ALUMINUM
FLEX SECTION ALTERNATE CONSTRUCTION:	.005 THK. SINGLE PLY STAINLESS STEEL (MIL) 304, 316, 321, 430, 29-45

NOMINAL DIMENSION	3"	4"	5"	6"	7"	8"
OA	3 1/4"	4 1/4"	5 1/4"	6 1/4"	7 1/4"	8 1/4"
LENGTH	12 INCHES TO 50'					

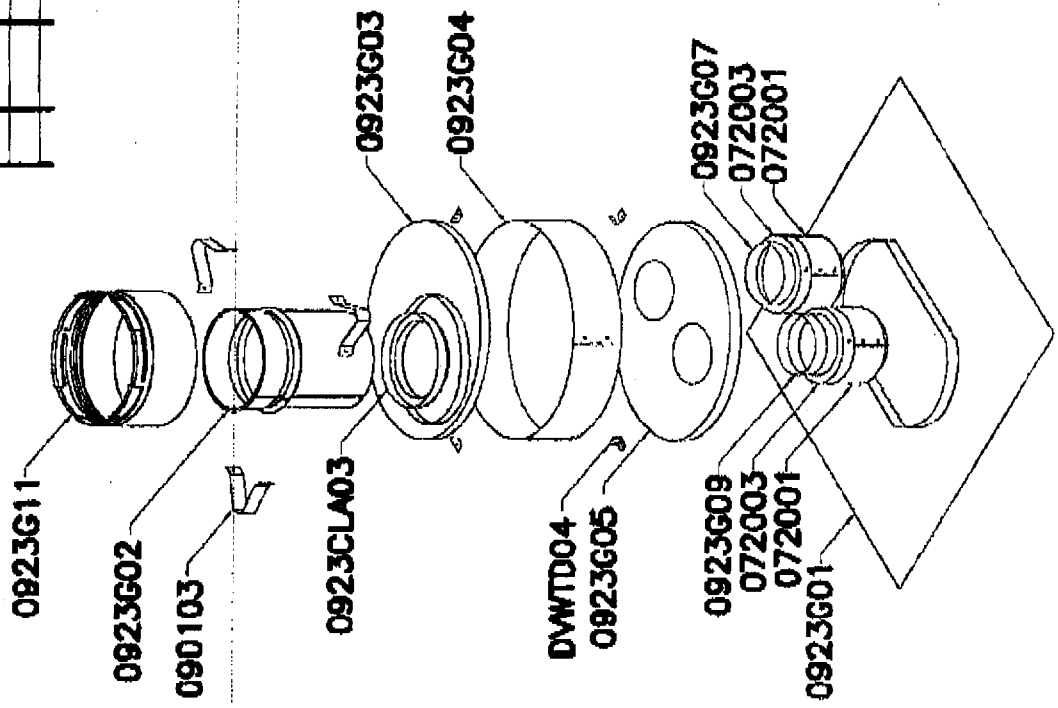
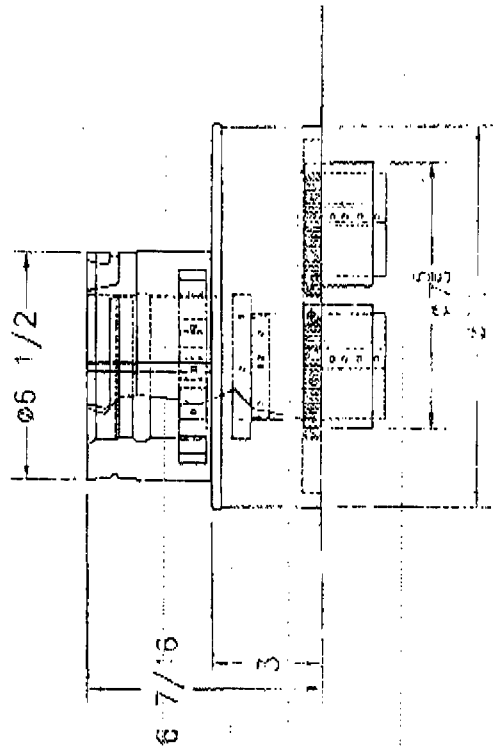
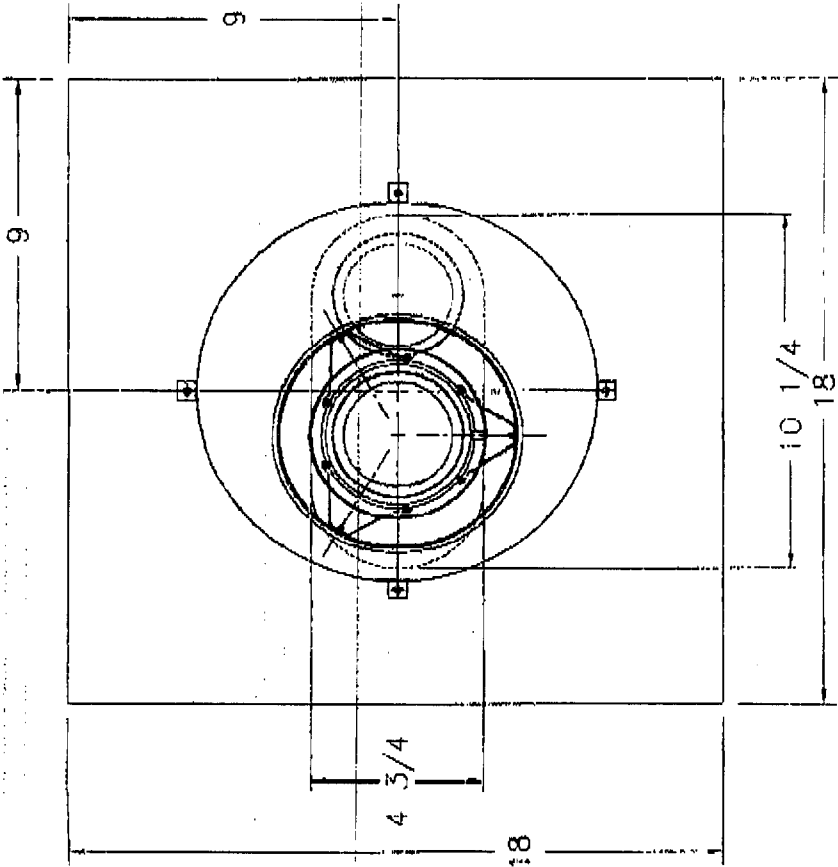
TOLERANCE BLOCK	<b>SIMPSON</b> DURA-VENT	FLEXIBLE PIPE SECTION DURA FLEX 3-8 INCH ALTERNATE CONSTRUCTION	
ALL DIMENSIONS ±.005	SMALL OPT	CHECKED	DATE 03 02 04
STANDARD DIMENSIONS ±.005	MATERIAL N/A	DRWG NUMBER	015XUL

DRAWING IS THE PROPERTY OF SIMPSON DURA-VENT, INC AND MAY NOT BE COPIED, REPRODUCED, OR OTHERWISE DISCLOSED WITHOUT THE APPROVAL OF SIMPSON DURA-VENT, INC.

PAGE 3

THIS DRAWING IS THE PROPERTY OF SIMPSON DURA-VENT, INC. AND MAY NOT BE COPIED, REPRODUCED, OR OTHERWISE DISCLOSED WITHOUT THE APPROVAL OF SIMPSON DURA-VENT, INC.

REV	ECO #	DATE
A	643	11-08-96

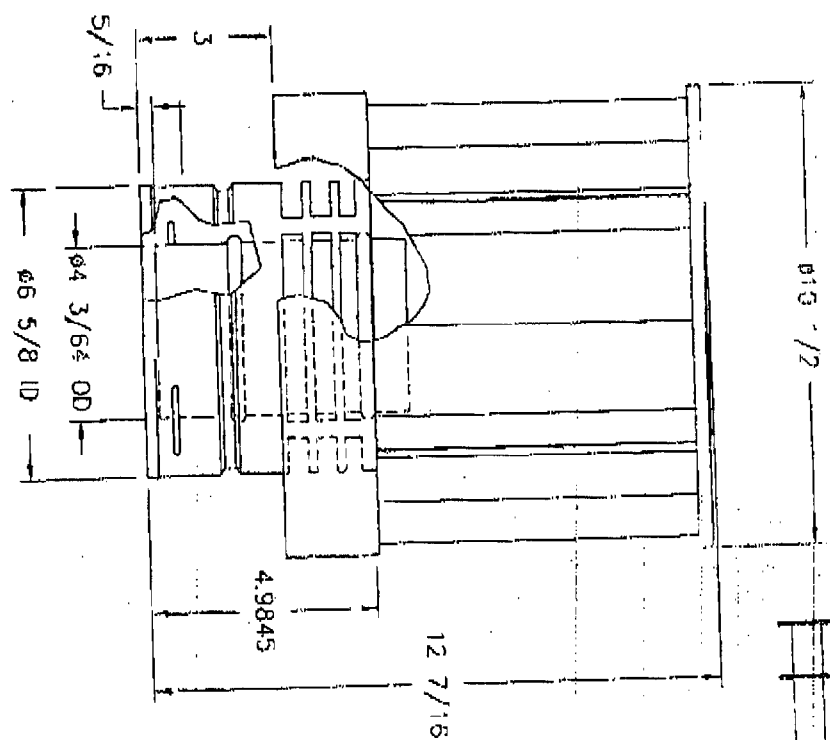
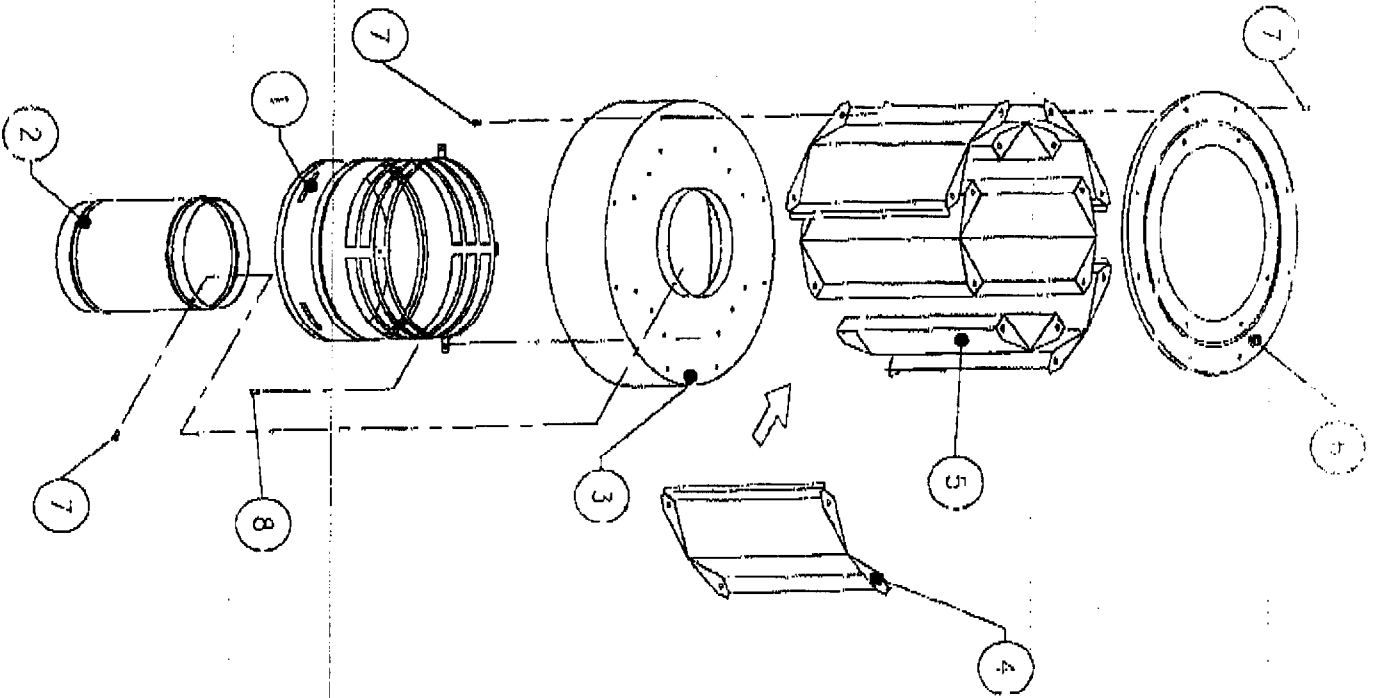


**SIMPSON**  
 Dura-Vent  
 CO-AXIAL TERMINATION W/ FLASHING  
 96 5/8" X 6"  
 DIRECT VENT, GS

SHEET 4 OF 4  
 DRAWING NO. 12-01-96  
 PART NUMBER: 0923G00

DATE: 11-08-96

PAGE 5



QTY	PART #	PART NAME	MAT
1	0983-01	SLEEVE OUTER	.020 AL
1	0983-06	SLEEVE INNER	.020 AL
1	0991-03	PLATE BOTTOM	.020 AL
1	0991-04	LEG OUTER	.020 AL
1	1099-05	LEG INNER	.020 AL
1	0991-06	PLATE TOP	.020 AL
40	7 N/A	RIVET	N/A

**SIMPSON**  
 HIGH WIND TERMINATION  
 5/8" X 5/8"

**SIMPSON**  
 Dura-Vent  
 SHEET 1 OF 1 | CHECKER: | DRAWN: NJB | DATE: 02-05-96 | REV: |  
 MATERIAL: N/A | CHG. NUMBER: 0991

DATE	BY