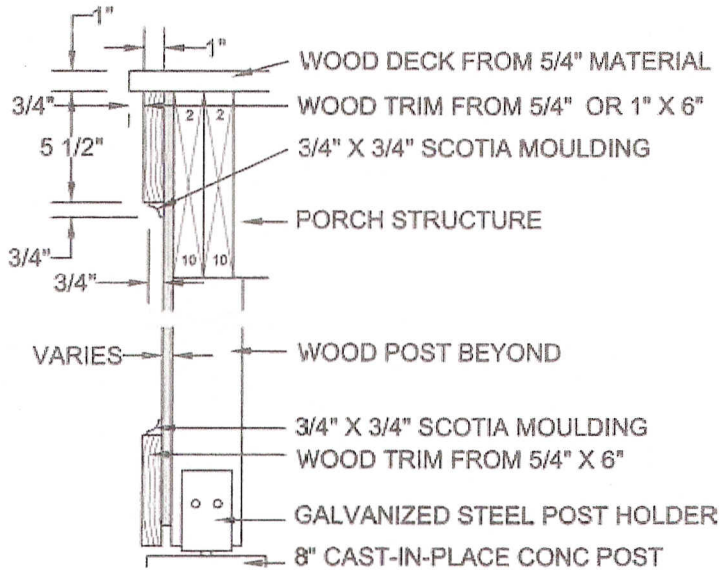
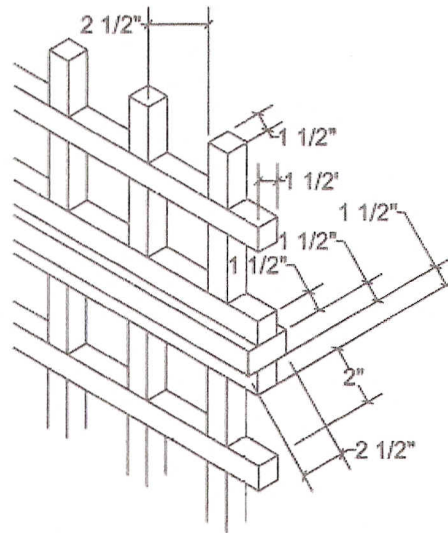


PAGE A-6 OF
GUIDELINES FOR PORCH REPAIR
AND REPLACEMENT

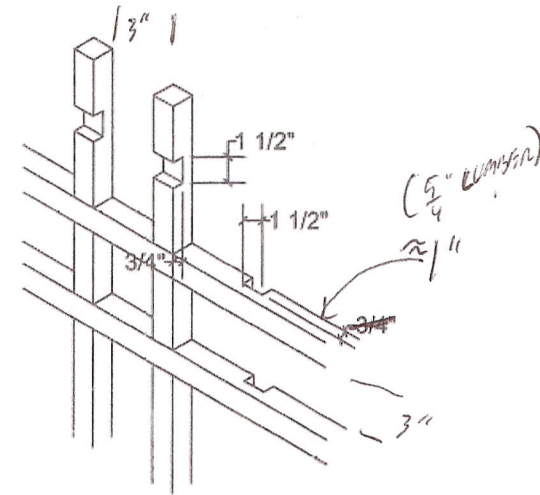
LATTICE TO BE
CONSTRUCTED OF
5/4" DECKING REARDED TO
1 1/2" WIDE



Construction of typical porch skirting



Lattice construction



Lattice construction

Note: If prefabricated lattice is to be used, it should be the heaviest grade and highest quality material available.