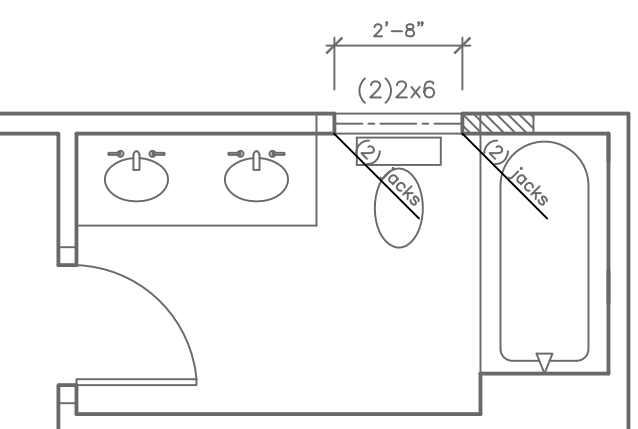


Proposed Second Floor
Bath Power & Lighting
A
1/4" = 1' - 0"



Proposed Second
Floor Bath Framing
B
1/4" = 1' - 0"

Rachel Conly
Architectural Design
Peaks Island, Maine 04108
207.766.5625

**Second Floor Bathroom
Power, Lighting &
Framing**

PROJECT
Murphy-Wolin Residence
27 Thomas Street
Portland, Me.
04102

DATE 9.5.13 **REVISED**

SCALE 1/4" = 1' - 0" **DRAWN BY**
Rachel

NOTES

A6