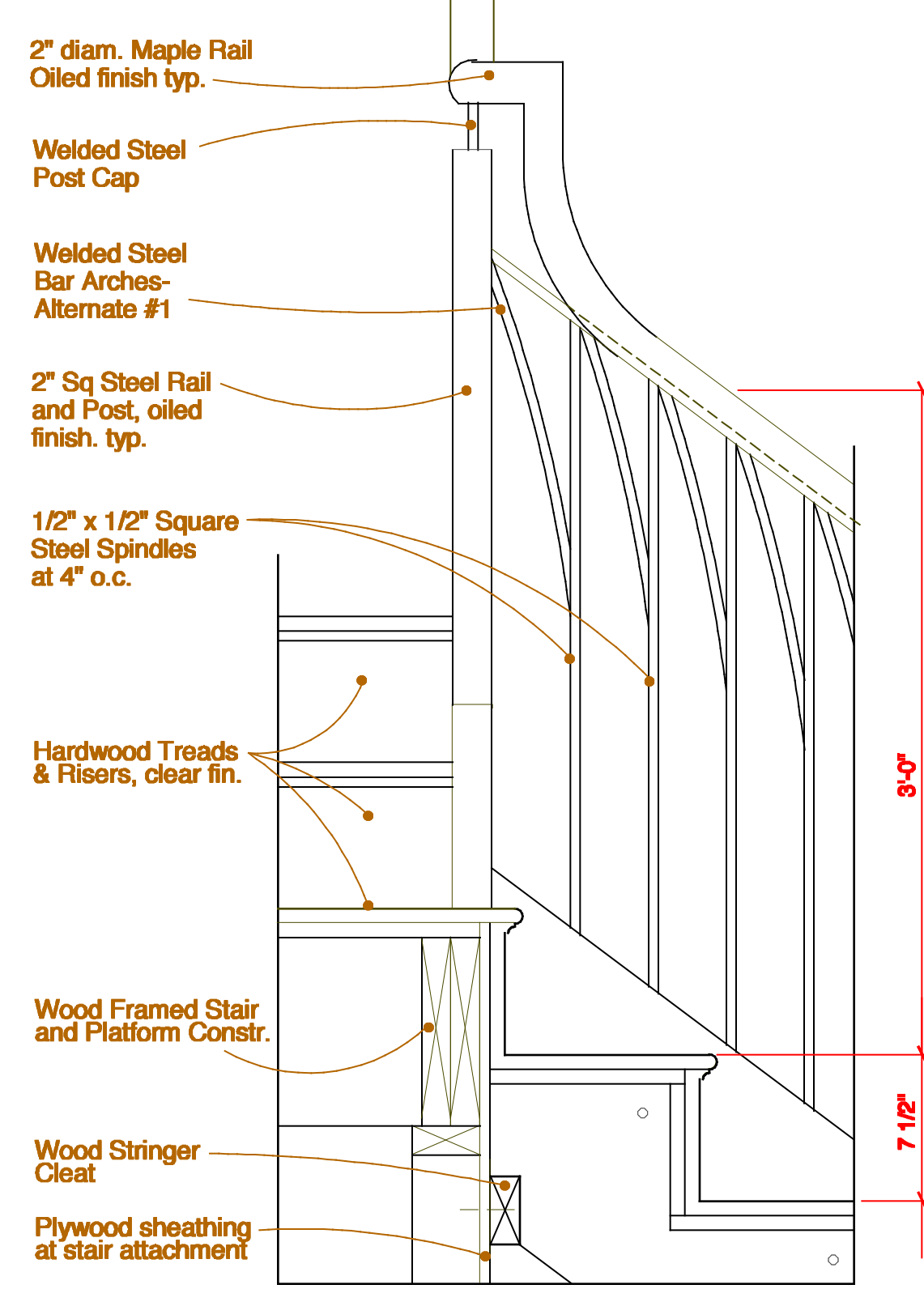
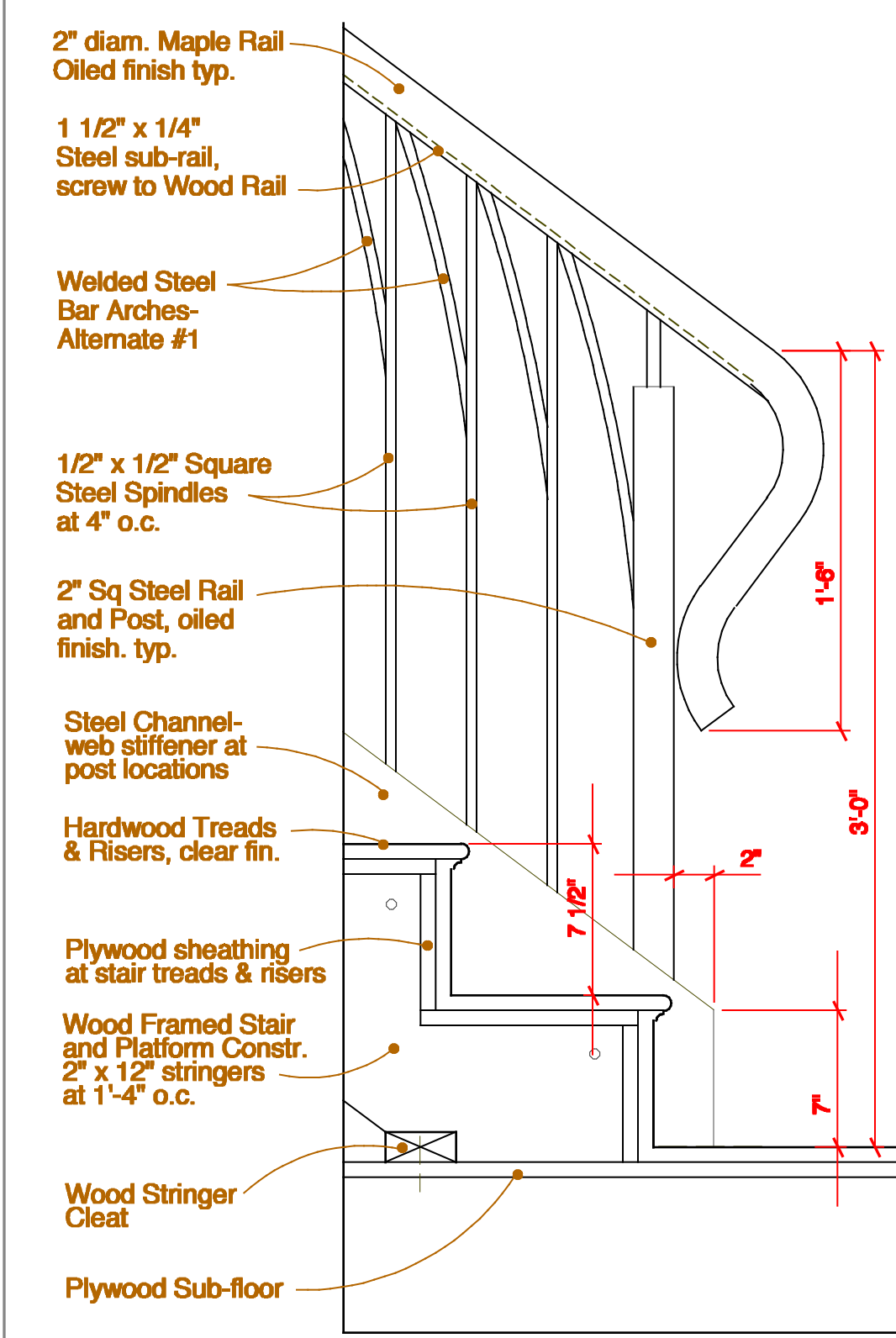


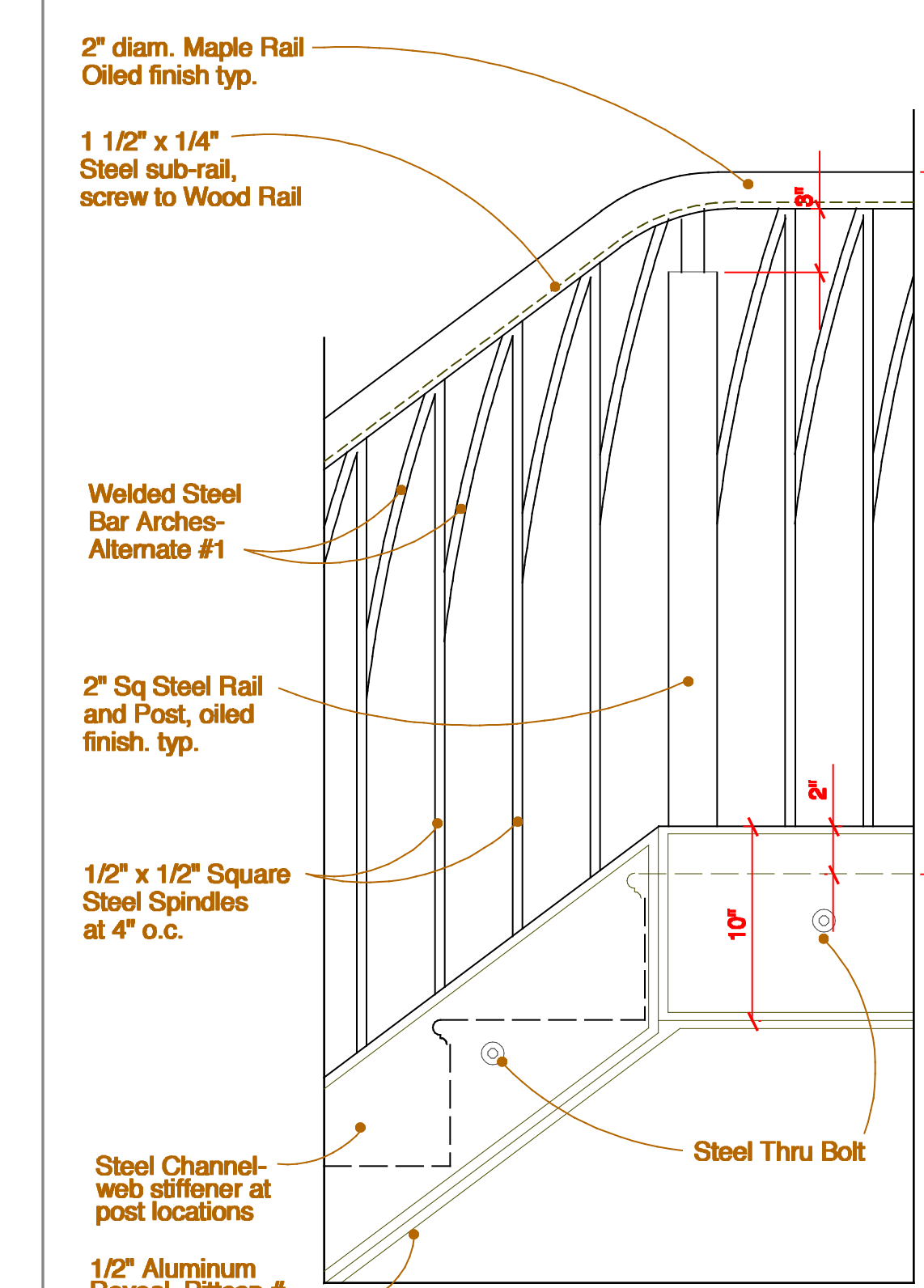
**24 Enlarged Stair Elevation**  
Scale : 1 1/2" = 1'-0"



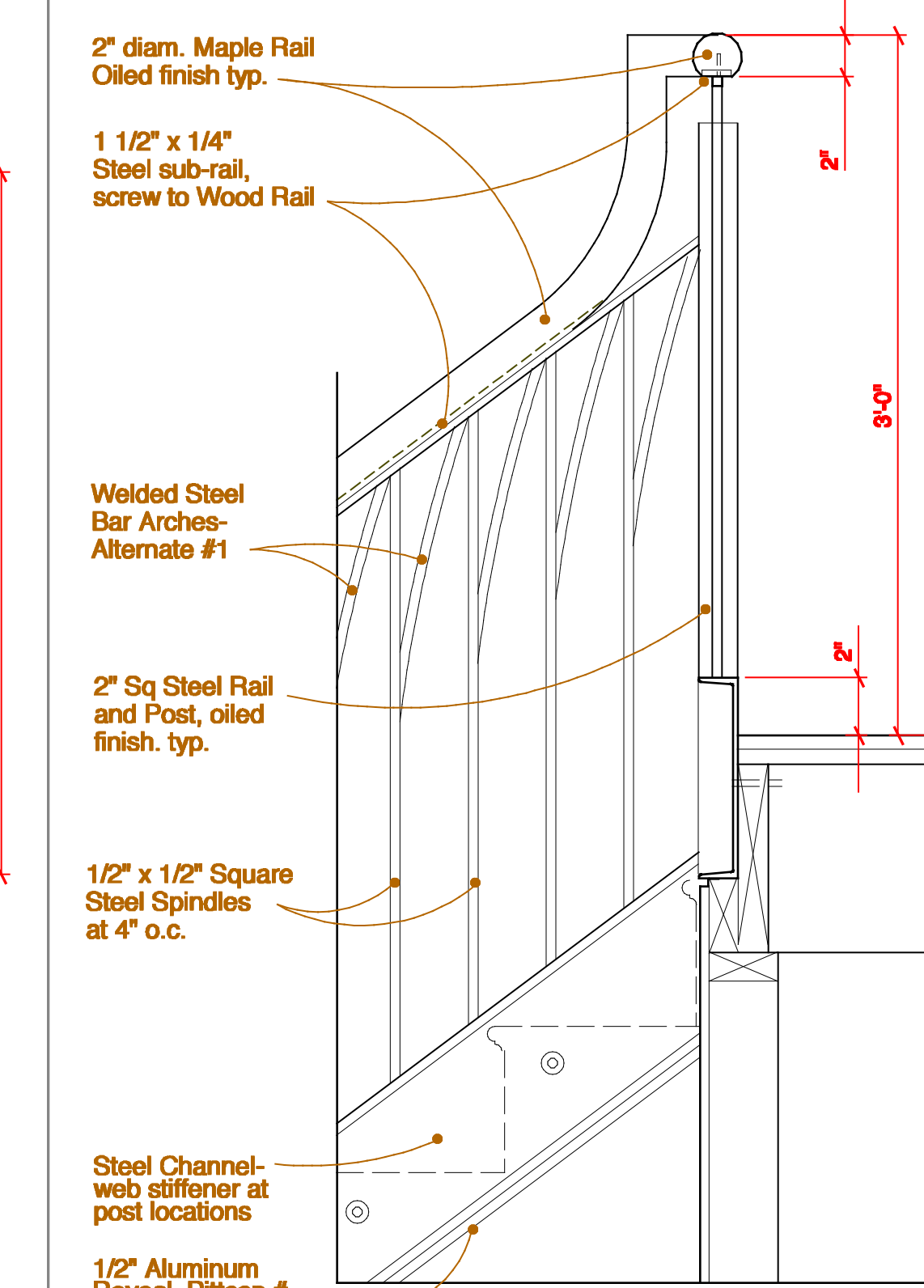
**23 Enlarged Stair Section**  
Scale : 1 1/2" = 1'-0"



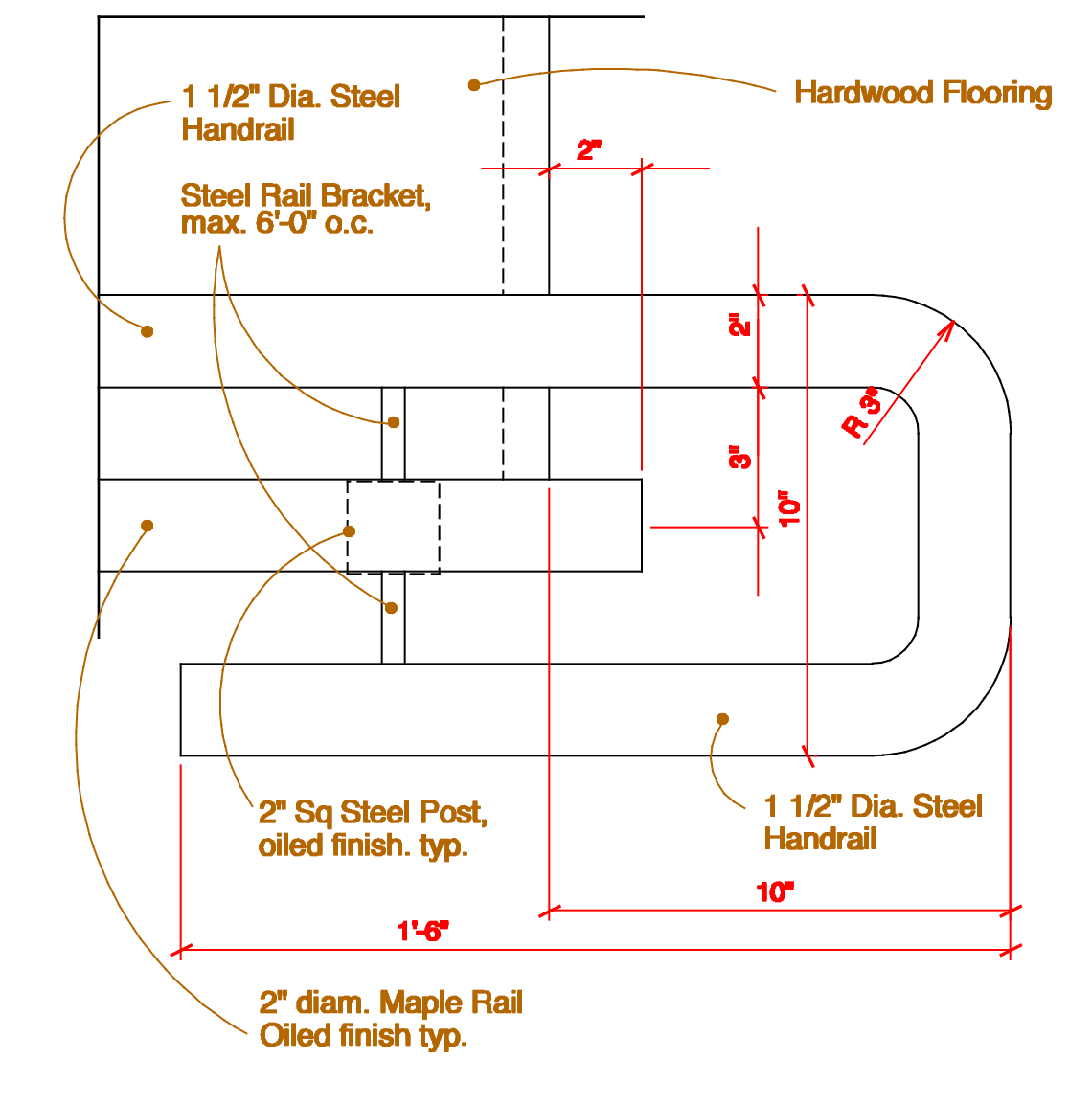
**22 Enlarged Stair Section**  
Scale : 1 1/2" = 1'-0"



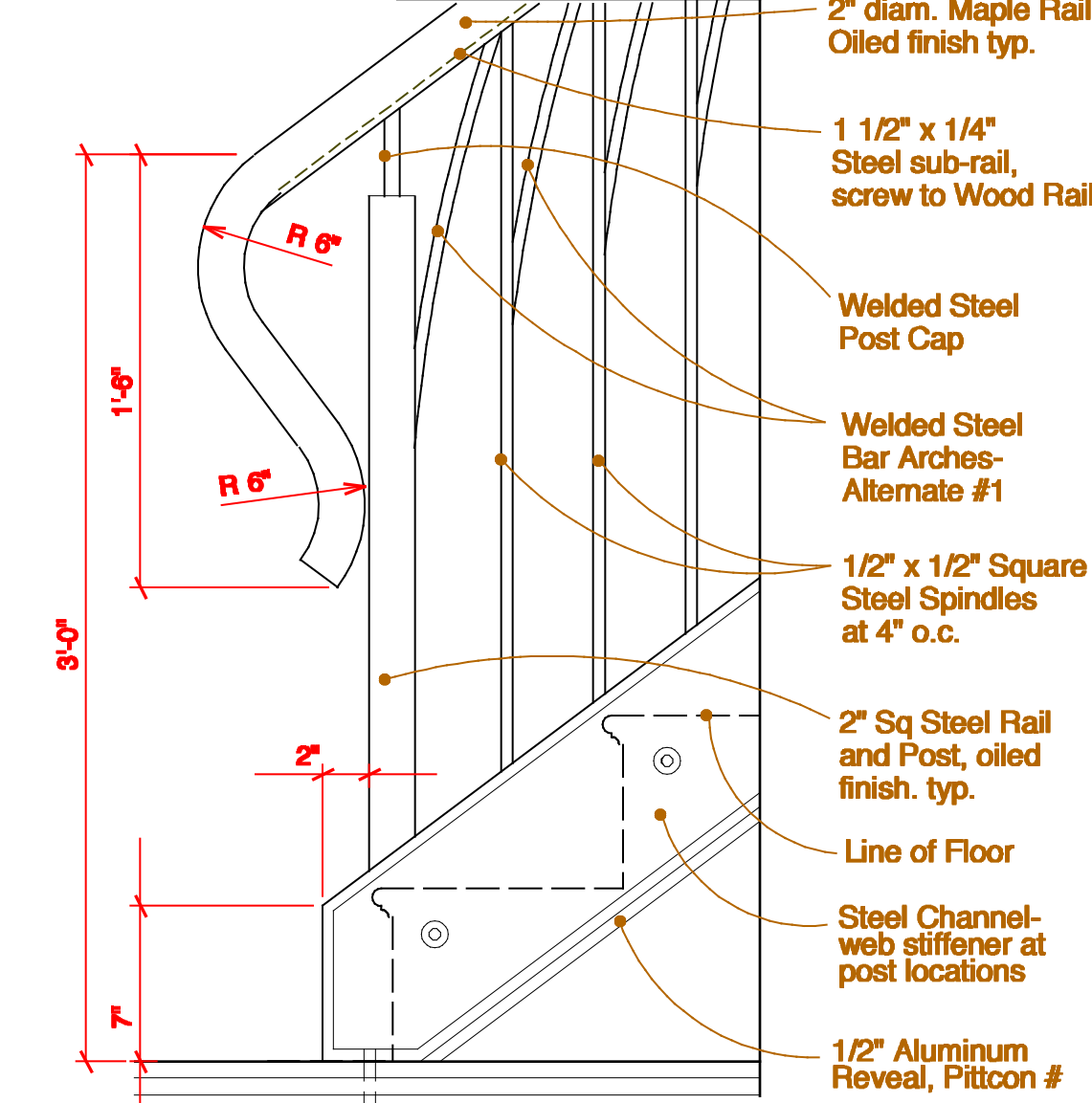
**21 Enlarged Rail Elevation**  
Scale : 1 1/2" = 1'-0"



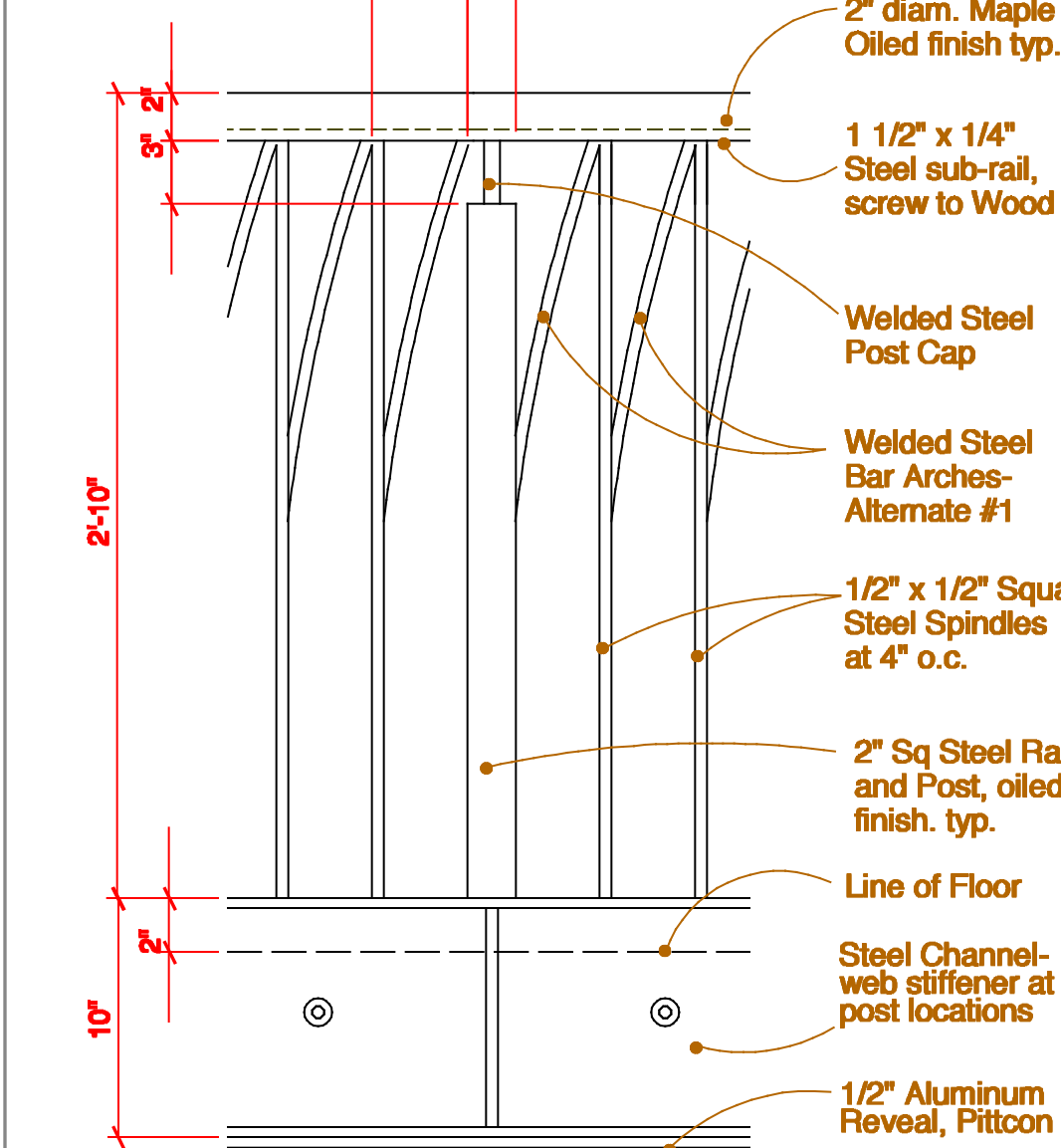
**20 Enlarged Rail Section**  
Scale : 1 1/2" = 1'-0"



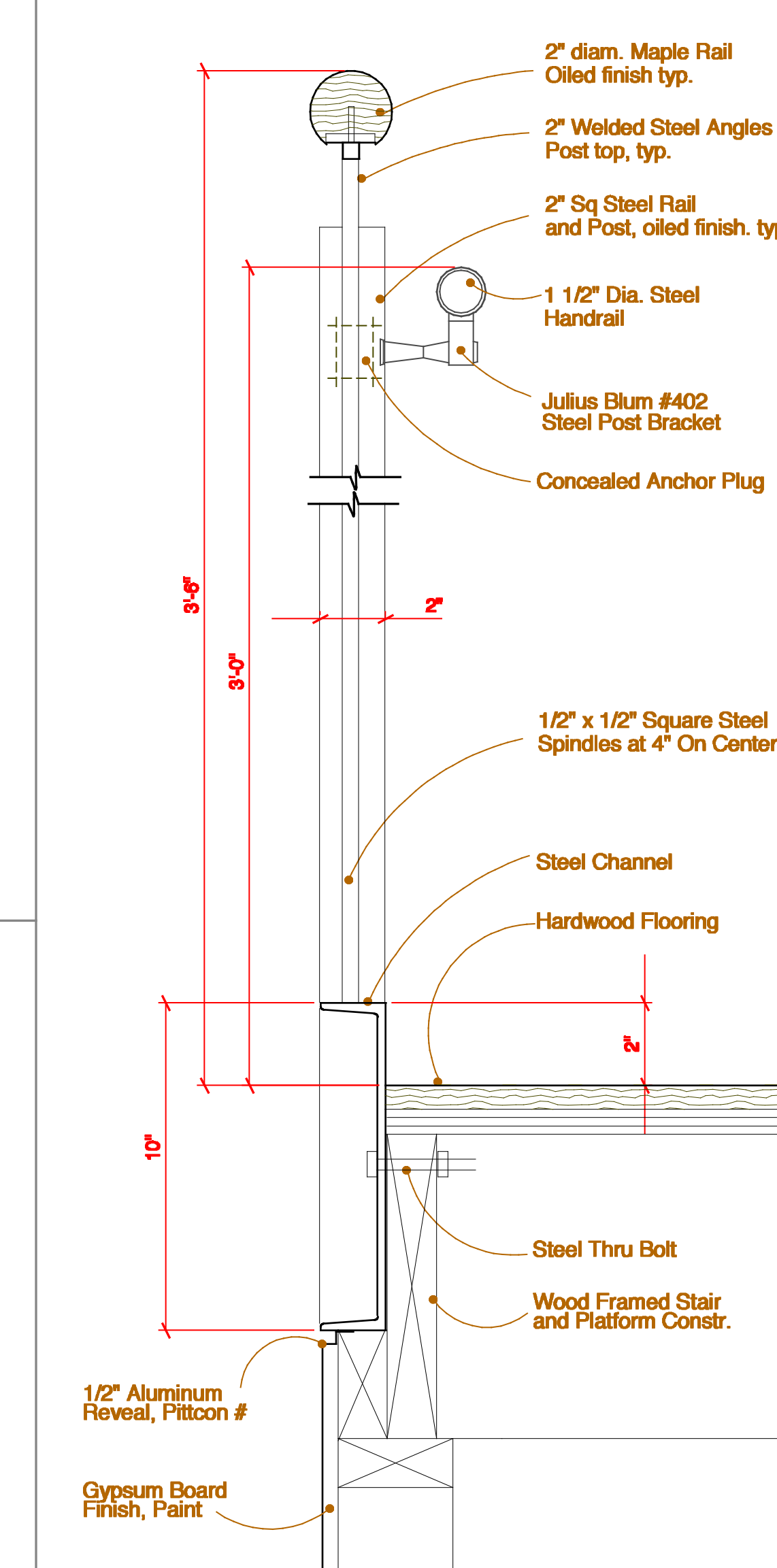
**27 Enlarged Stair Plan**  
Scale : 3" = 1'-0"



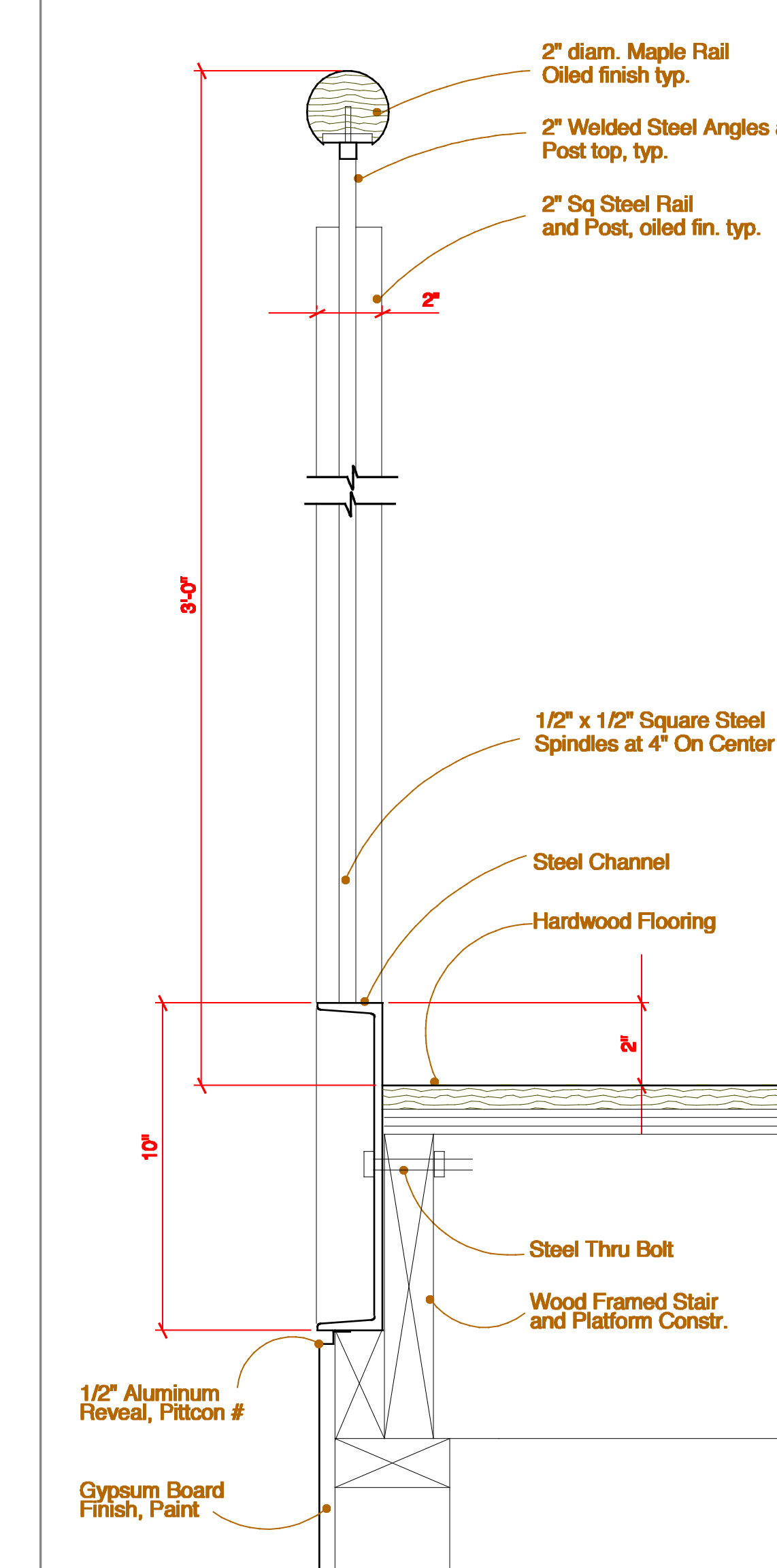
**26 Enlarged Rail Elevation**  
Scale : 1 1/2" = 1'-0"



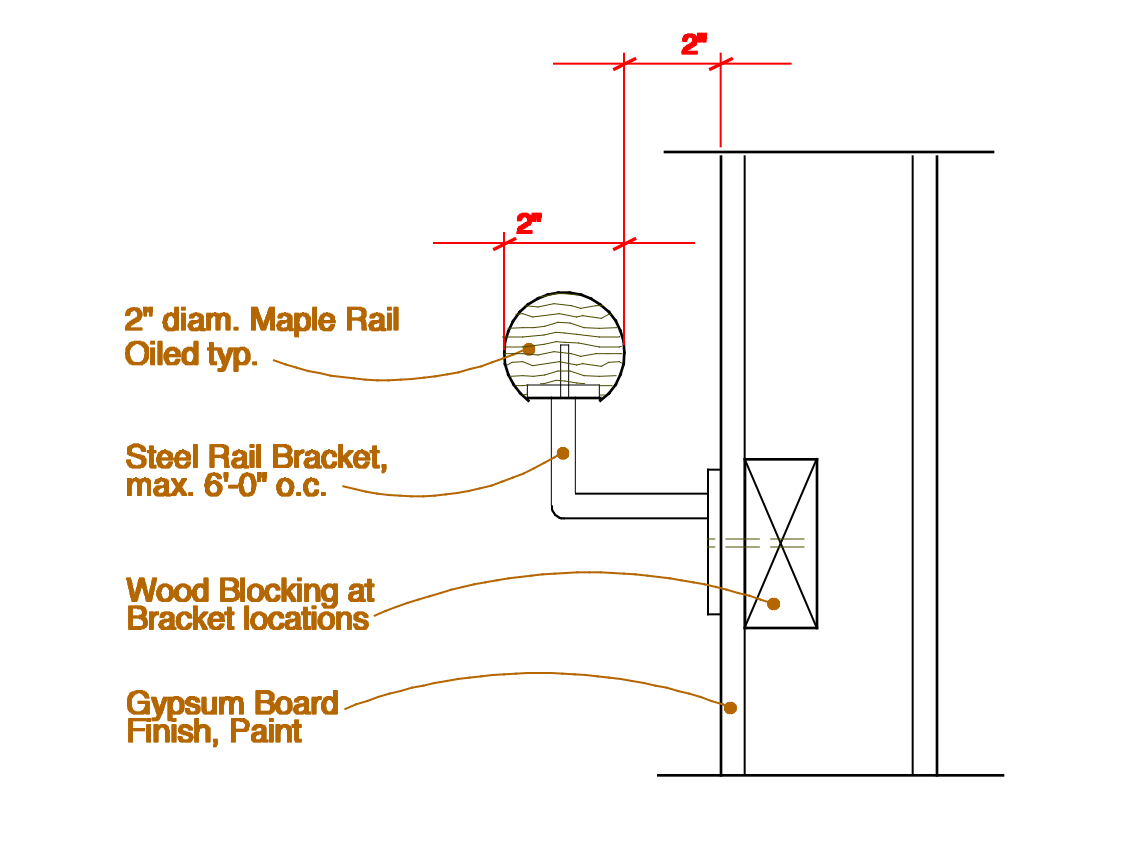
**25 Enlarged Rail Elevation**  
Scale : 1 1/2" = 1'-0"



**11 Enlarged Rail Section**  
Scale : 3" = 1'-0"



**10 Enlarged Rail Section**  
Scale : 3" = 1'-0"



**28 Enlarged Stair Section**  
Scale : 3" = 1'-0"

| date | revision |
|------|----------|
|      |          |
|      |          |
|      |          |
|      |          |

project name  
**32 Thomas Street Apartments**

project location  
32 Thomas Street  
Portland, Maine

