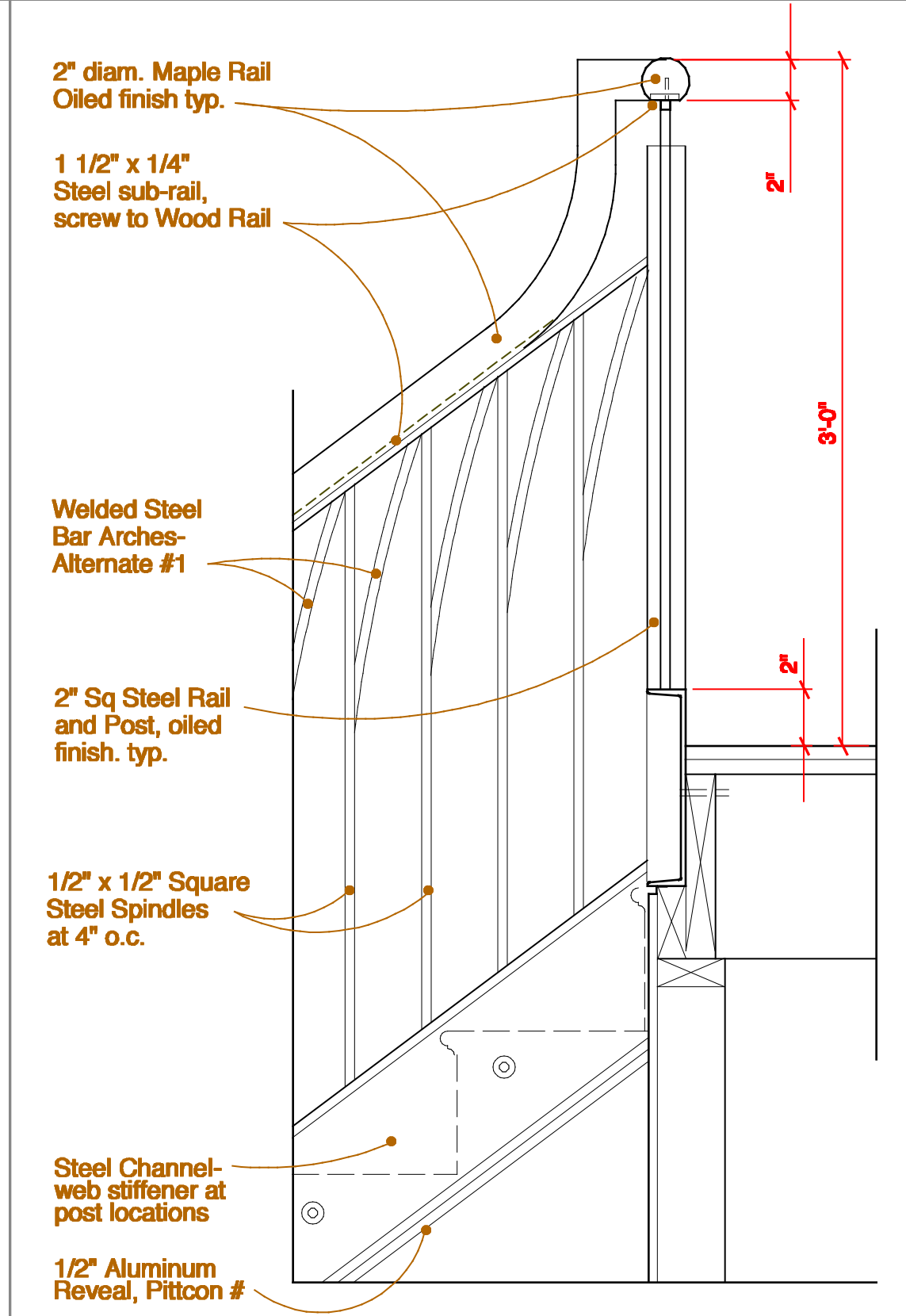


date
Revisions

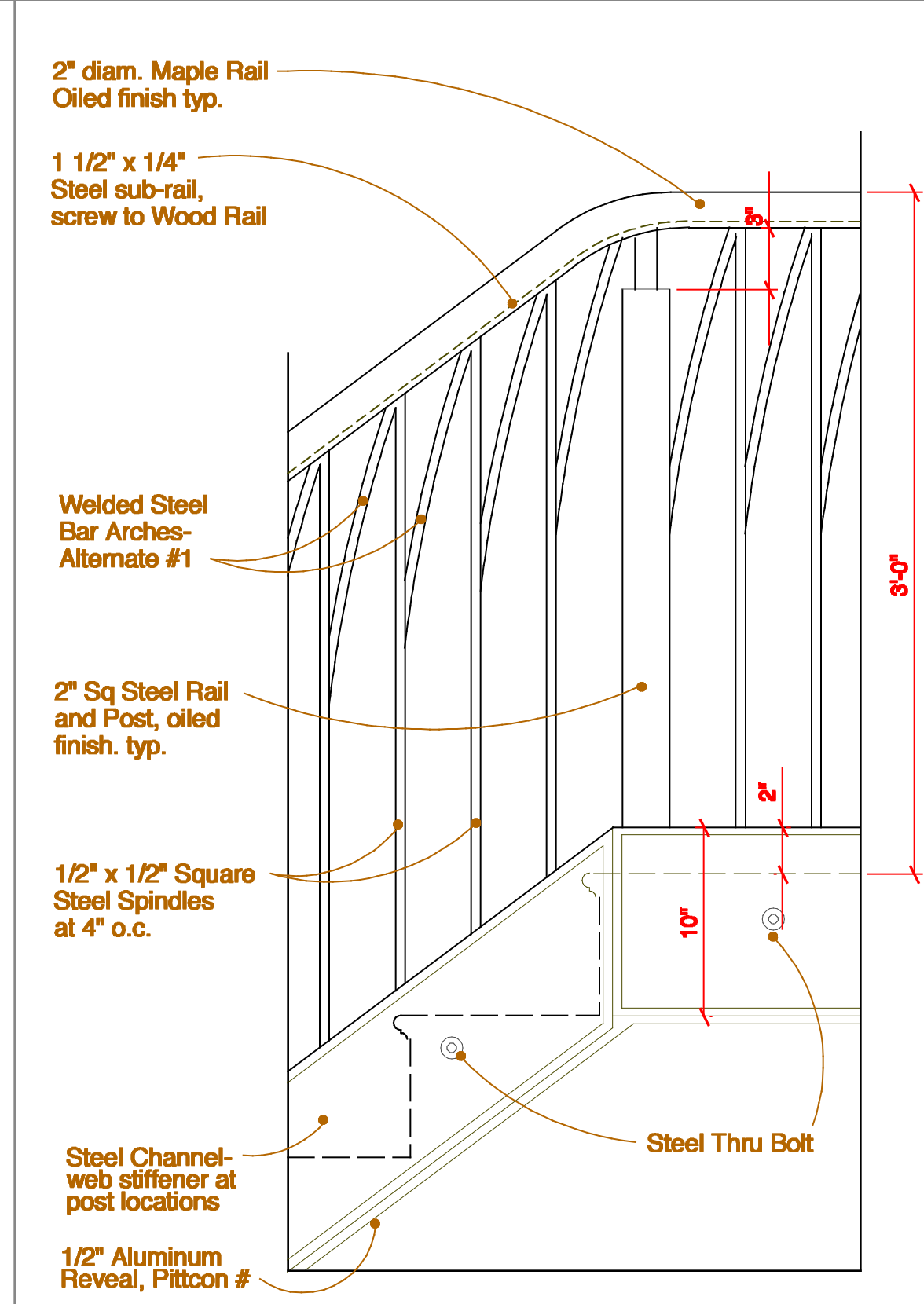
project name
**32 Thomas Street
Apartments**
project location
32 Thomas Street
Portland, Maine

plan north
true north

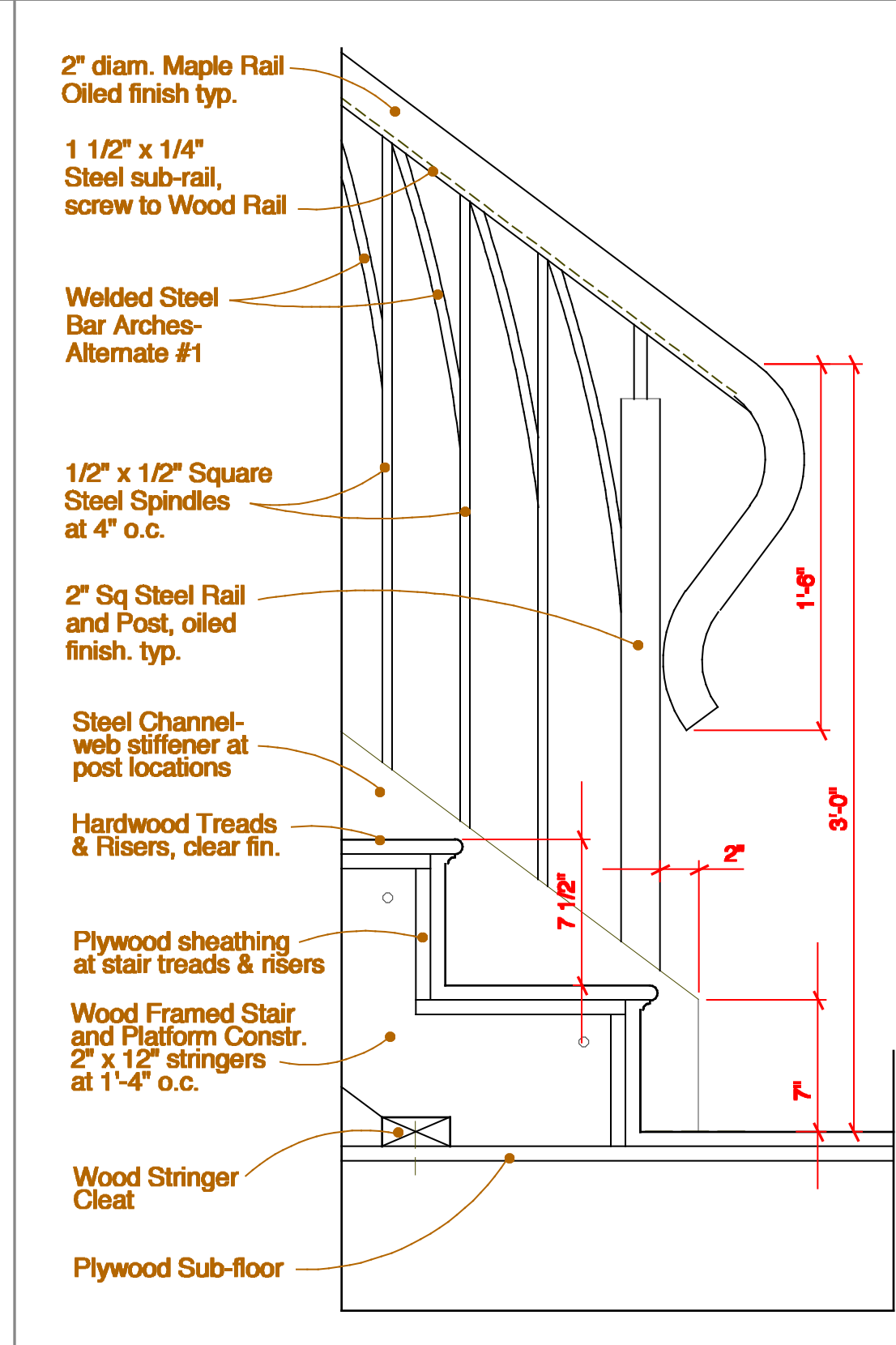
date February 22, 2016	scale 1 1/2" = 1'-0"	project # 2008-008	drawing title Interior Stairs Details	drawing number A602
---------------------------	-------------------------	-----------------------	---	-------------------------------



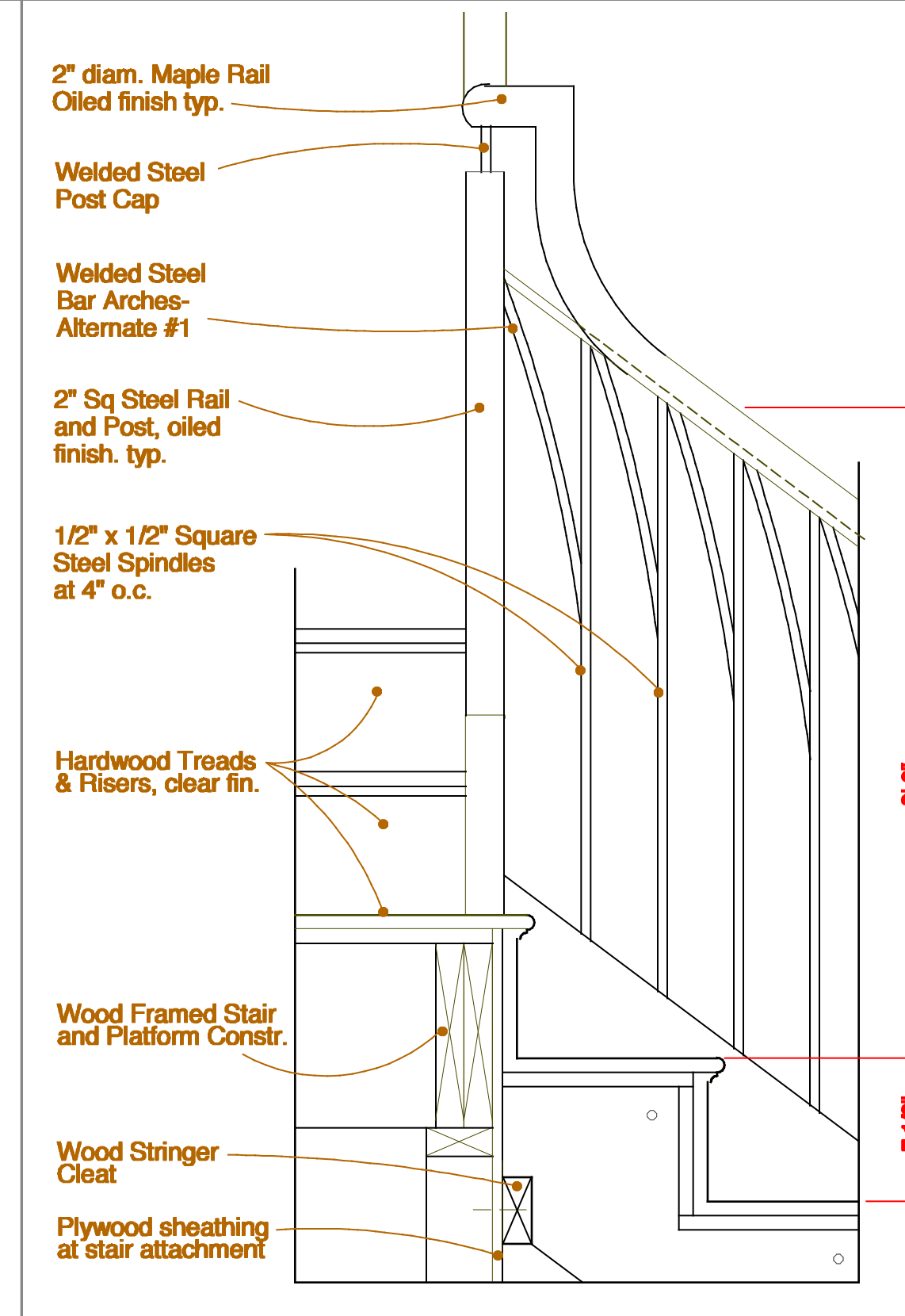
20 Enlarged Rail Section
Scale : 1 1/2" = 1'-0"



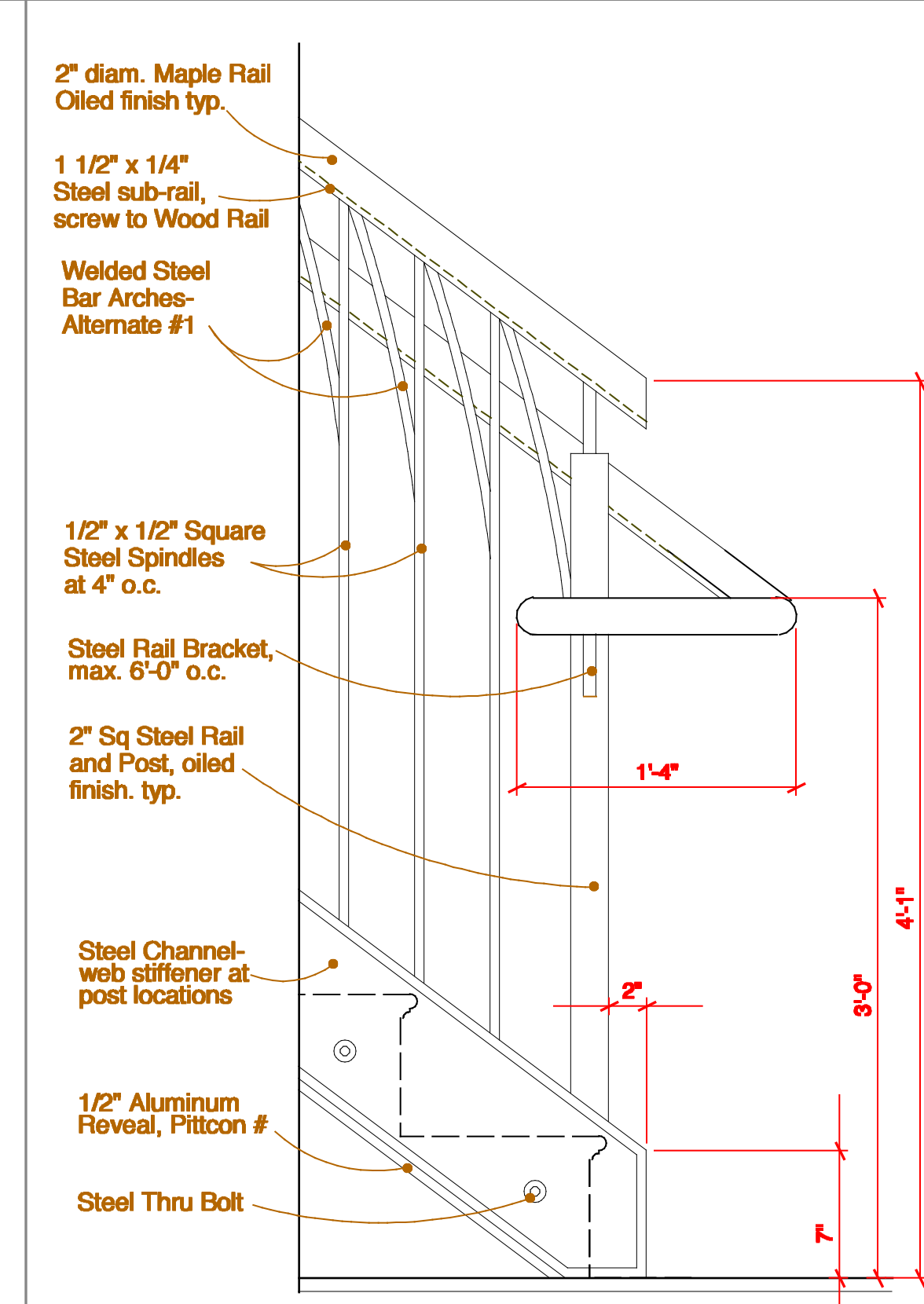
21 Enlarged Rail Elevation
Scale : 1 1/2" = 1'-0"



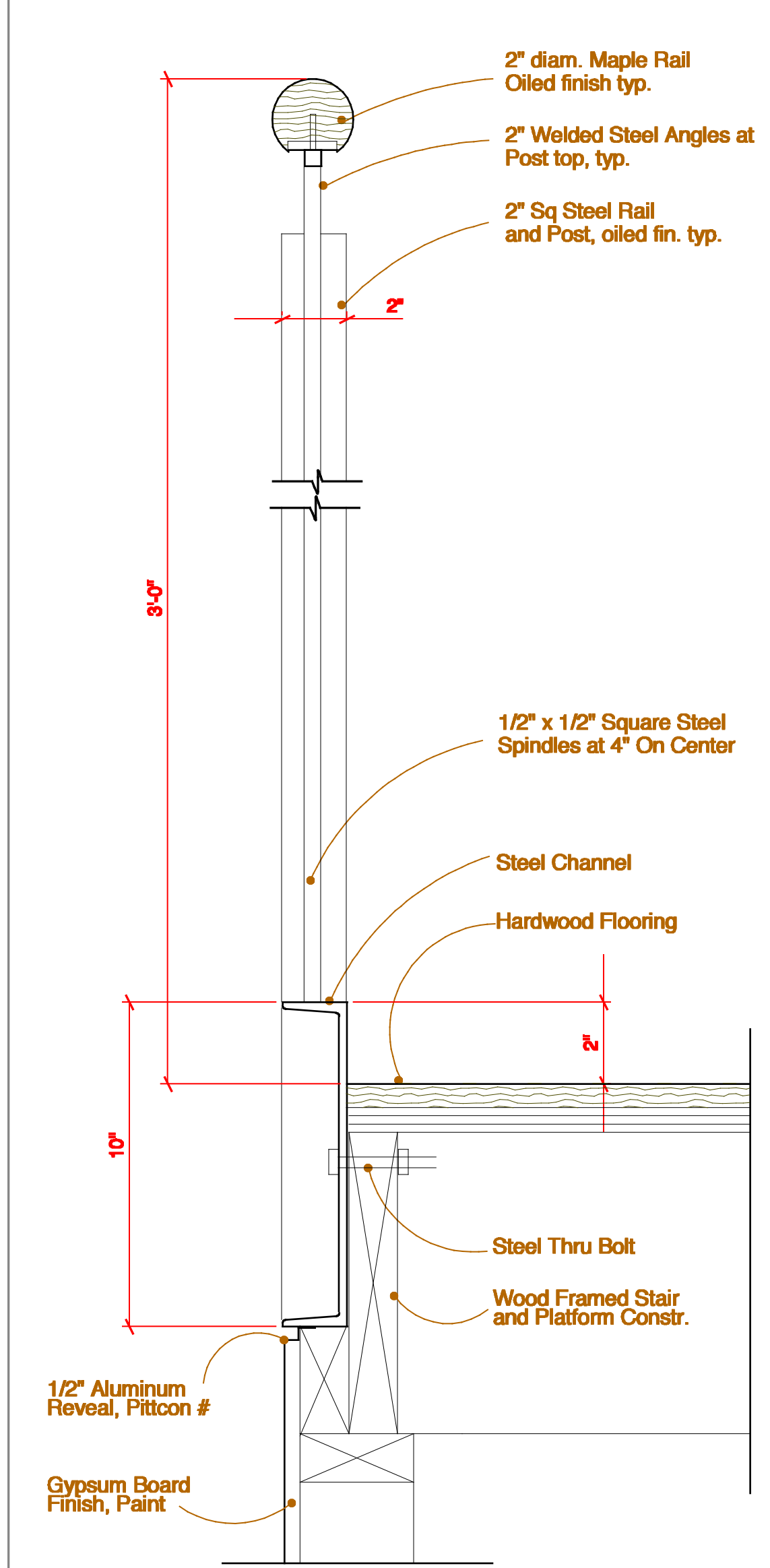
22 Enlarged Stair Section
Scale : 1 1/2" = 1'-0"



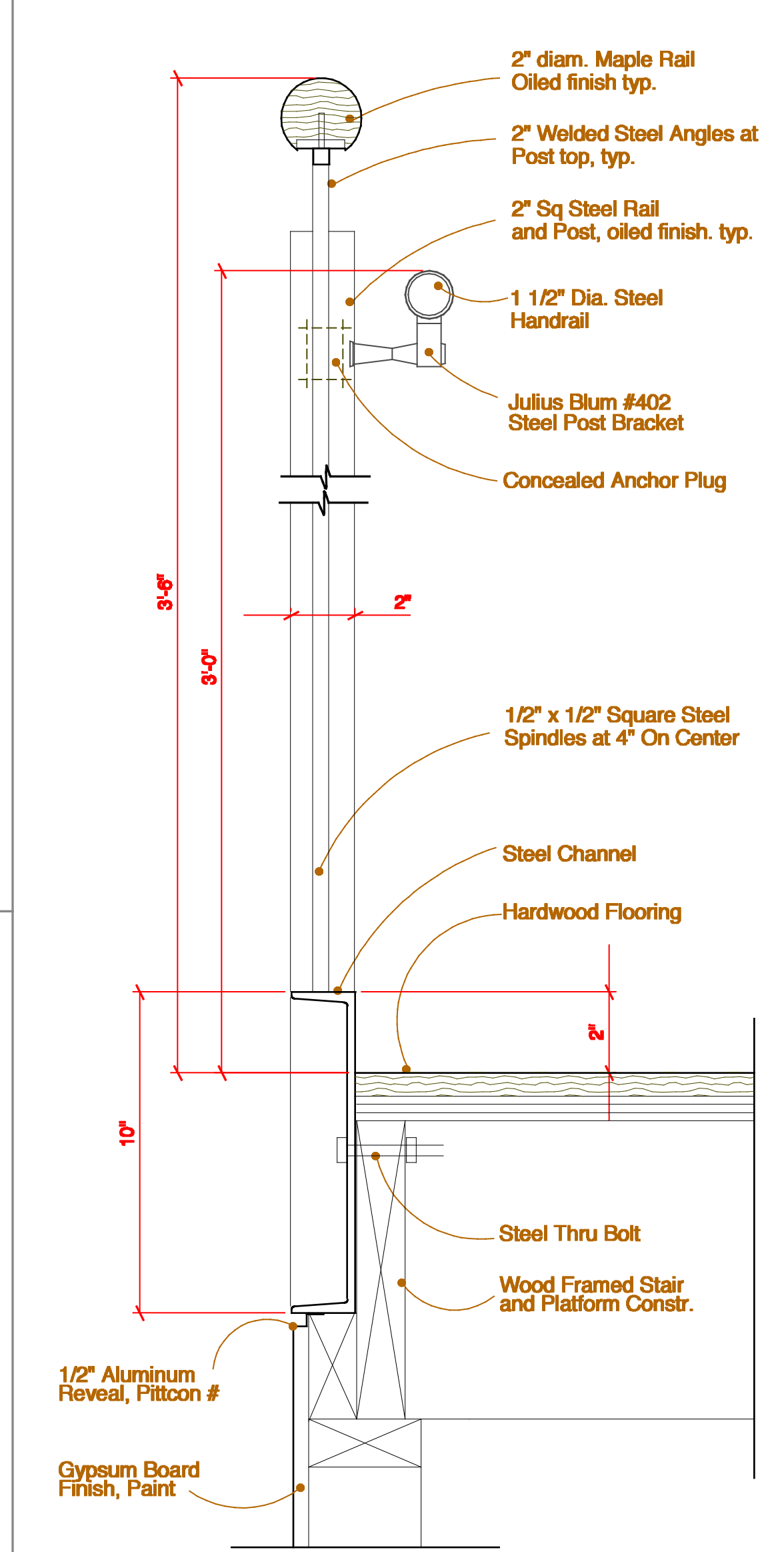
23 Enlarged Stair Section
Scale : 1 1/2" = 1'-0"



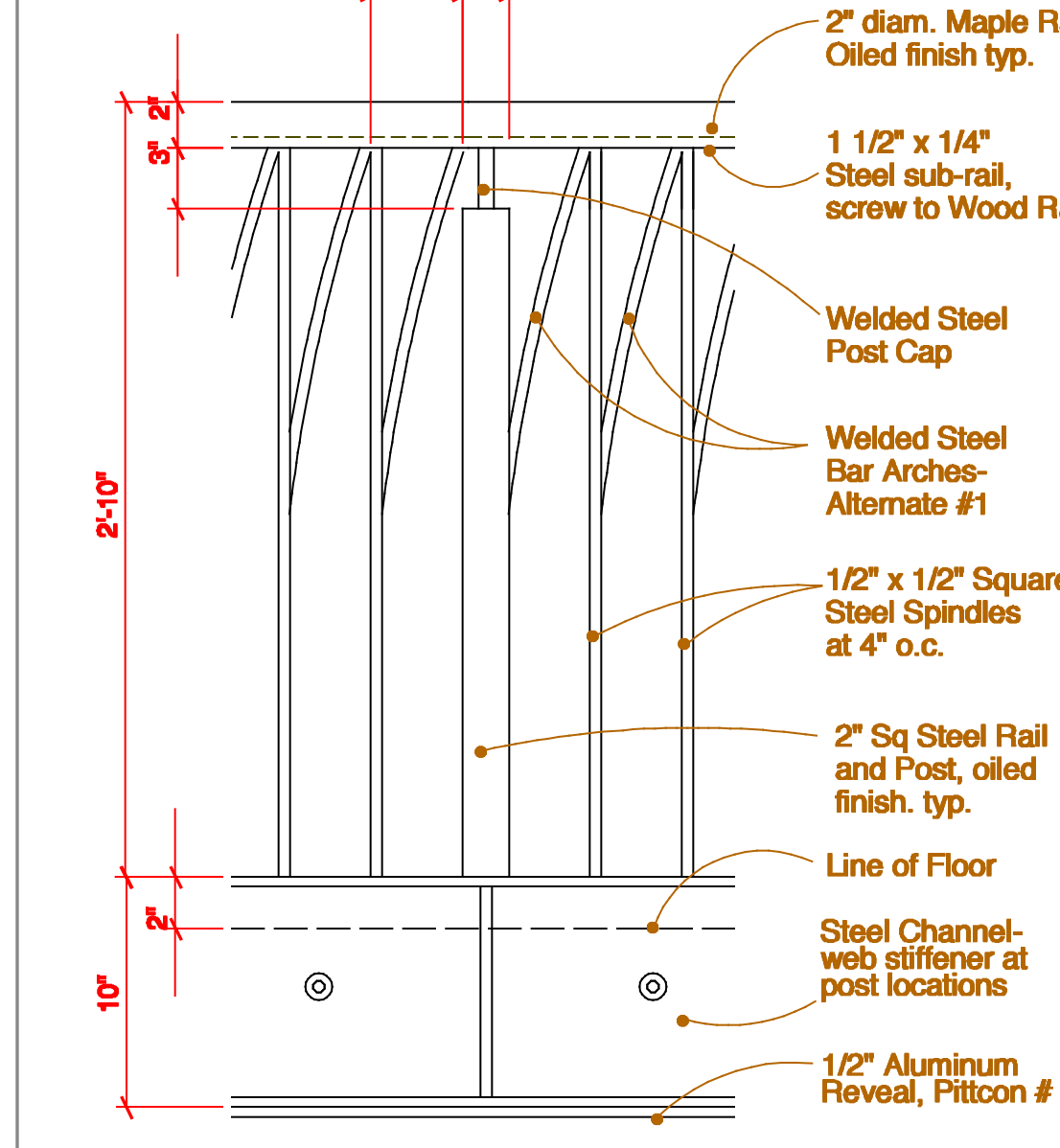
24 Enlarged Stair Elevation
Scale : 1 1/2" = 1'-0"



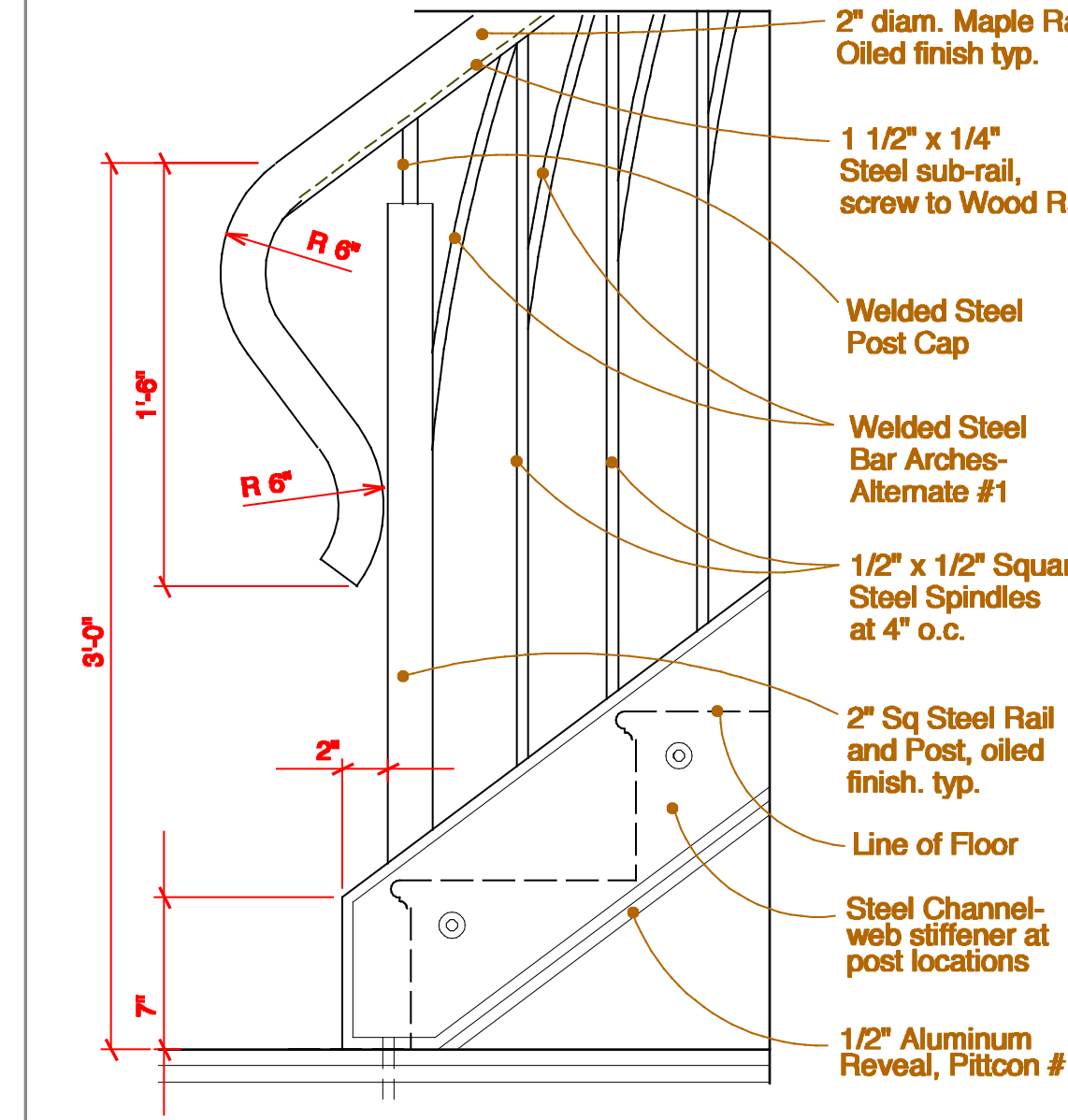
10 Enlarged Rail Section
Scale : 3" = 1'-0"



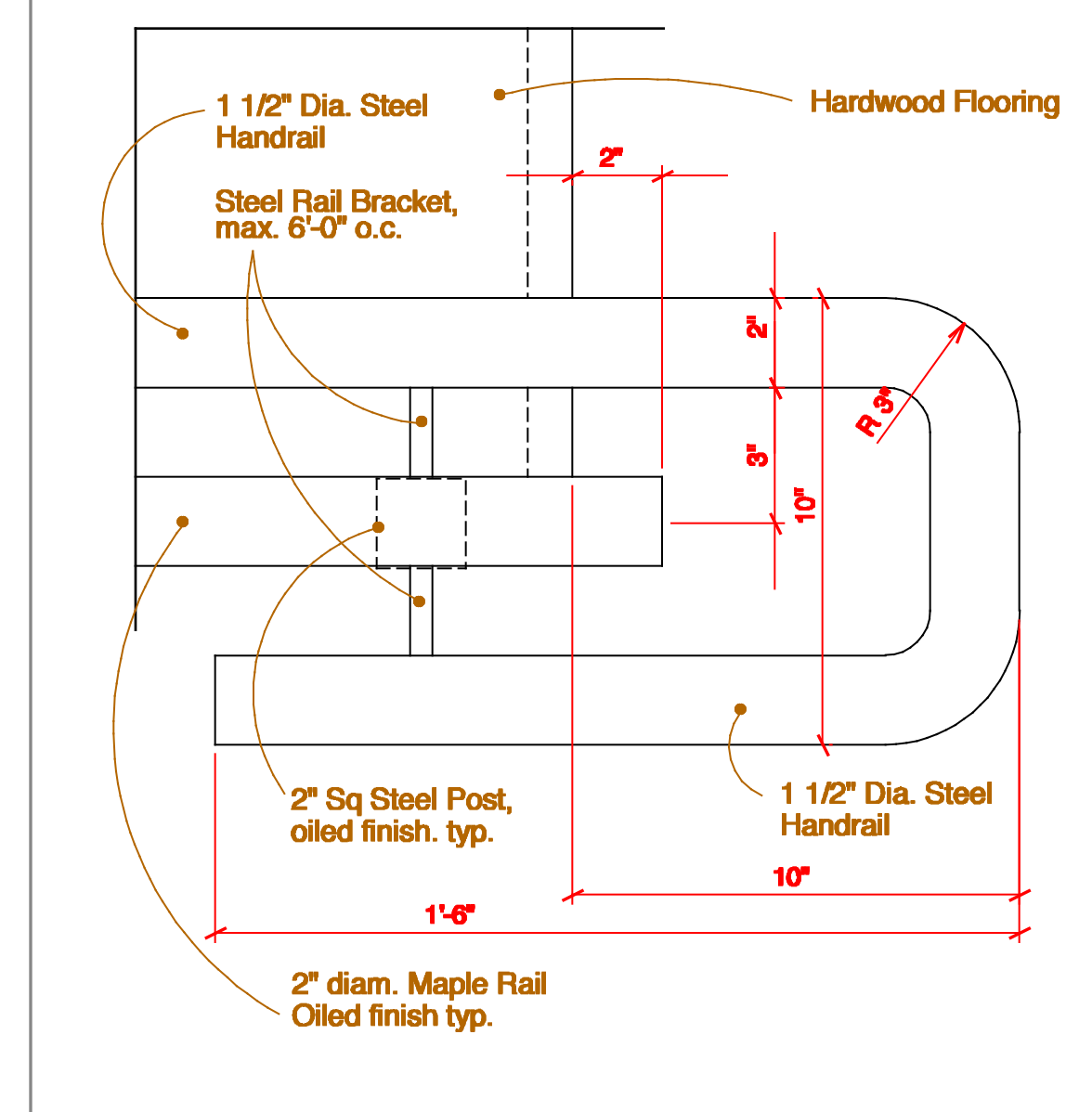
11 Enlarged Rail Section
Scale : 3" = 1'-0"



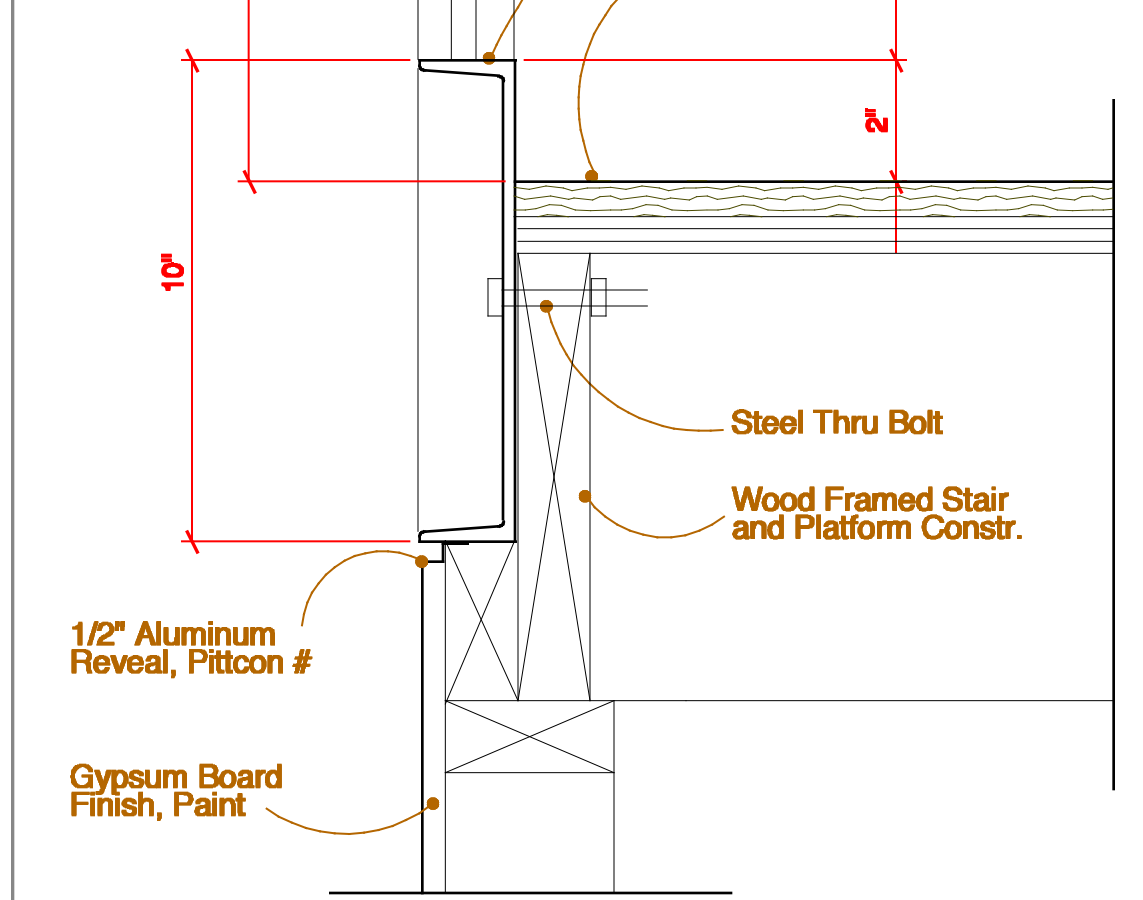
25 Enlarged Rail Elevation
Scale : 1 1/2" = 1'-0"



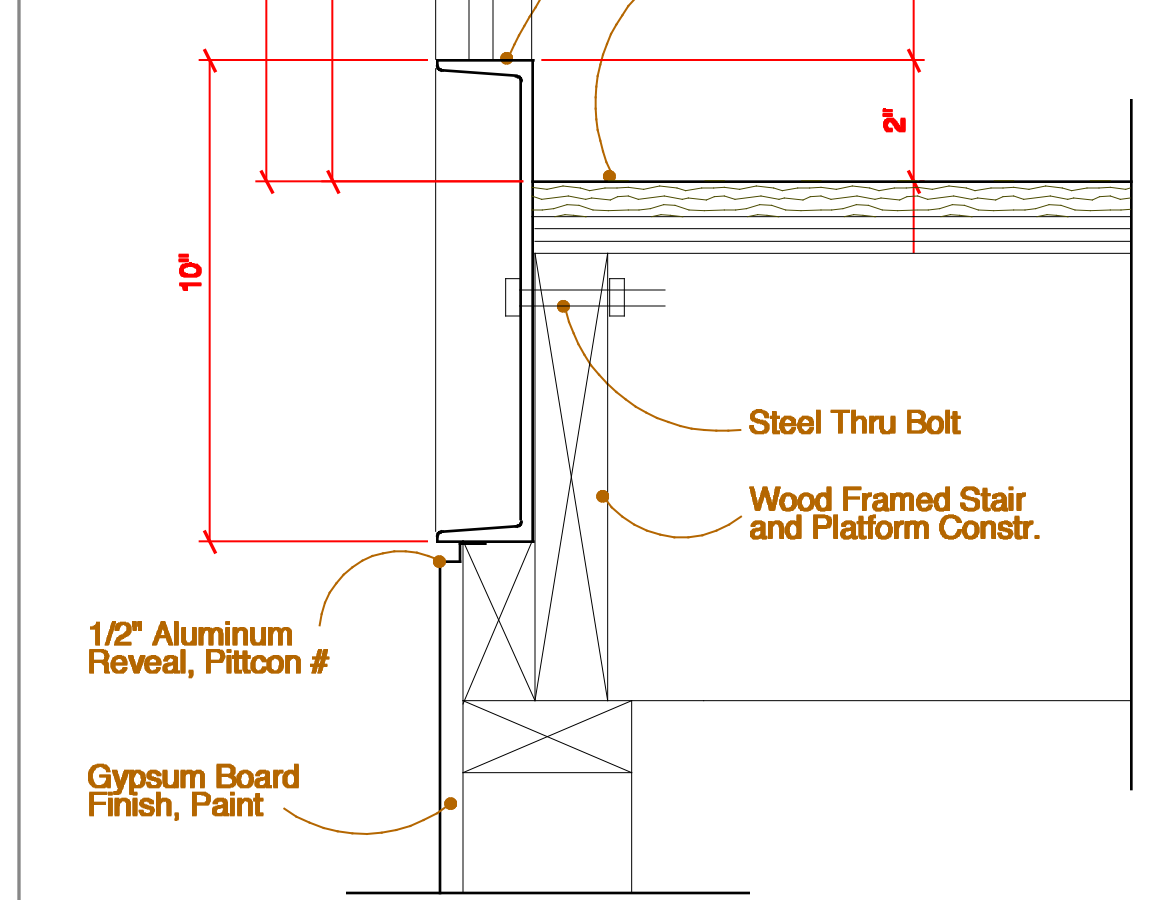
26 Enlarged Rail Elevation
Scale : 1 1/2" = 1'-0"



27 Enlarged Stair Plan
Scale : 3" = 1'-0"



10 Enlarged Rail Section
Scale : 3" = 1'-0"



11 Enlarged Rail Section
Scale : 3" = 1'-0"



28 Enlarged Stair Section
Scale : 3" = 1'-0"