

**FIRE ESCAPE RENOVATIONS**  
7 CARROLL STREET  
PORTLAND, MAINE

TFH ARCHITECTS  
50 MIDDLE STREET  
PORTLAND, MAINE 04101  
TELEPHONE 207 775 6141  
ARCHITECTURE PLANNING

CONSULTANTS:

REVISIONS:

DATE: 10-12-10

PROJECT No. 1025

DRAWN BY:

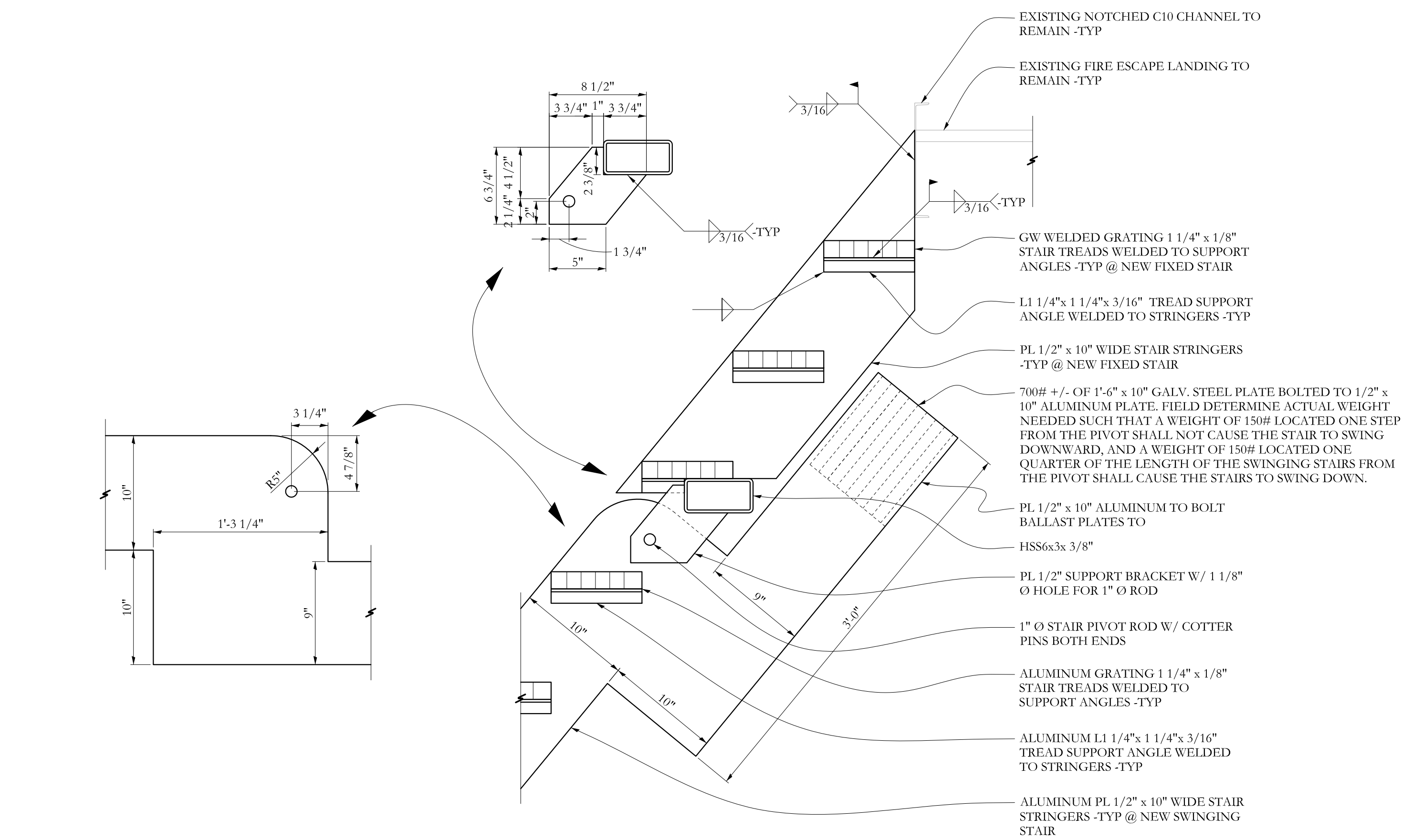
CHECKED BY:

SCALE: 1 1/2" = 1'-0"

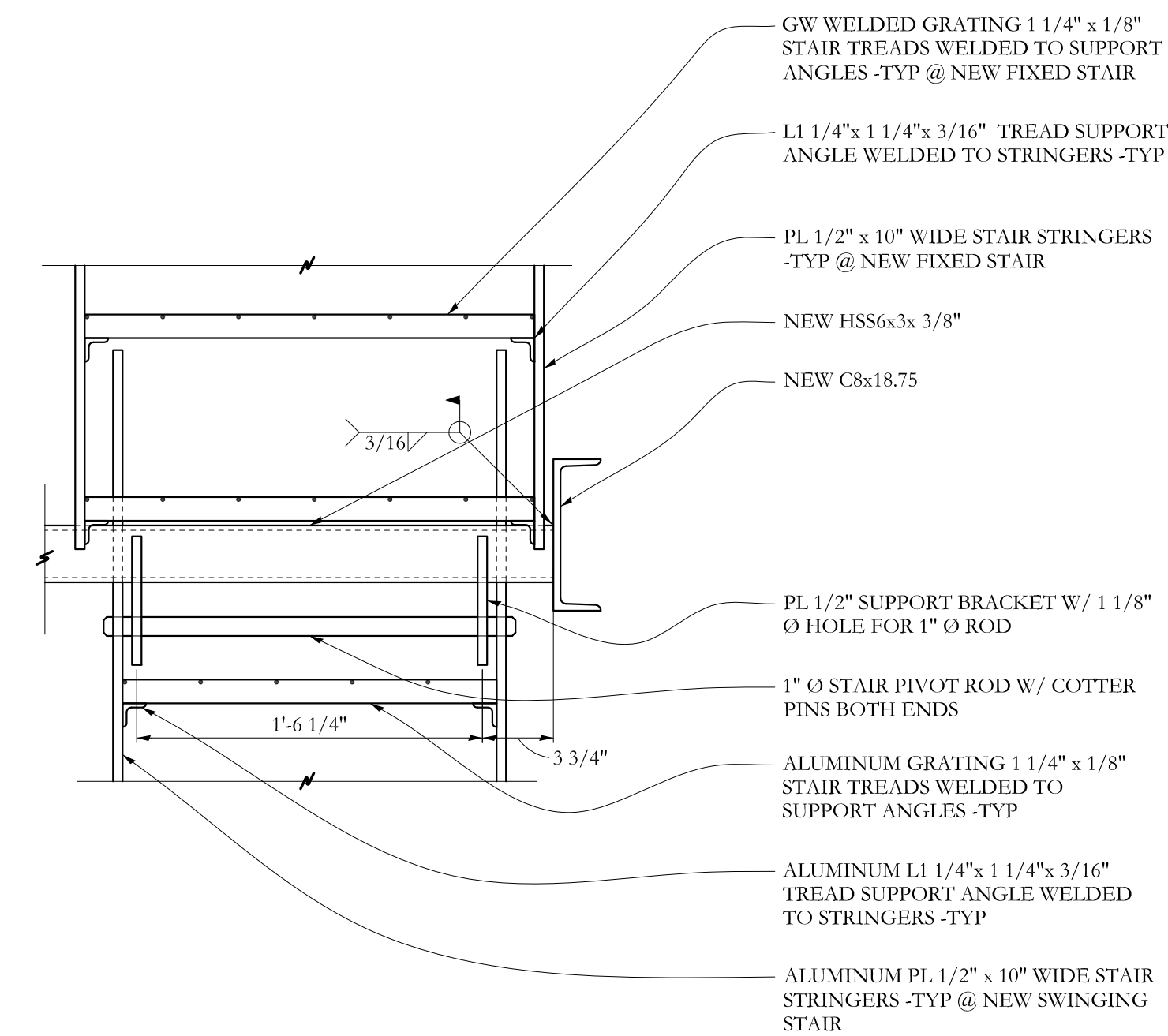
SHEET TITLE:

SECTIONS

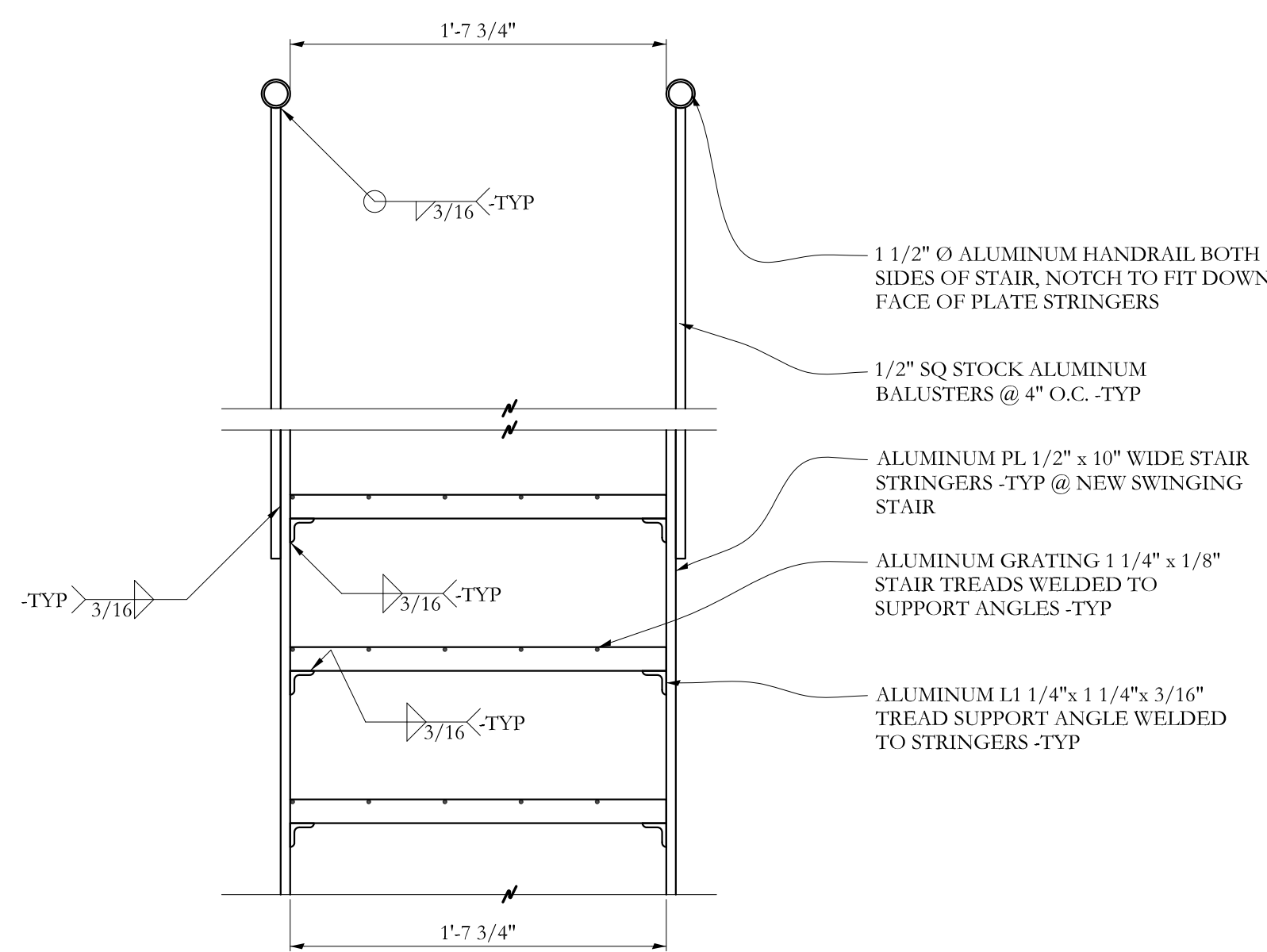
S2.1



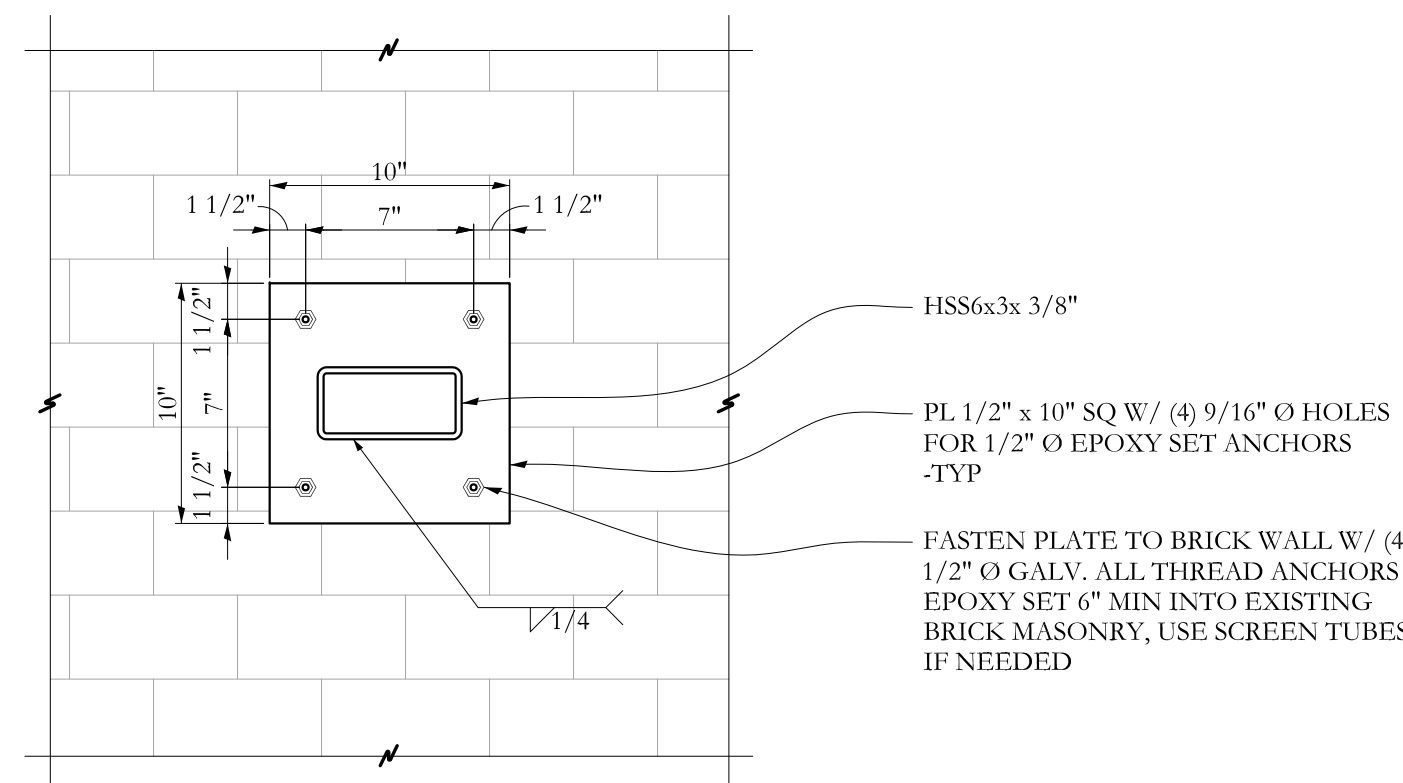
SECTION **E** 1 1/2"=1'-0



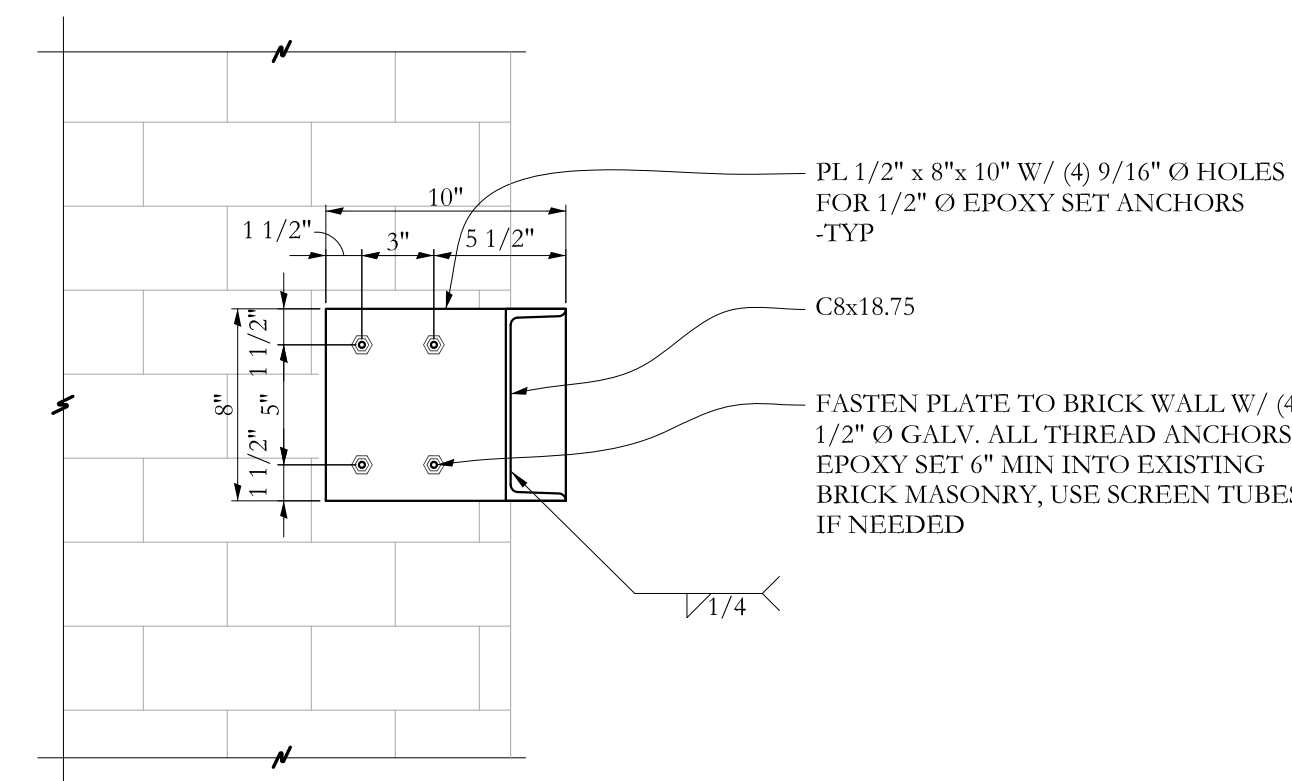
SECTION **F** 1 1/2"=1'-0



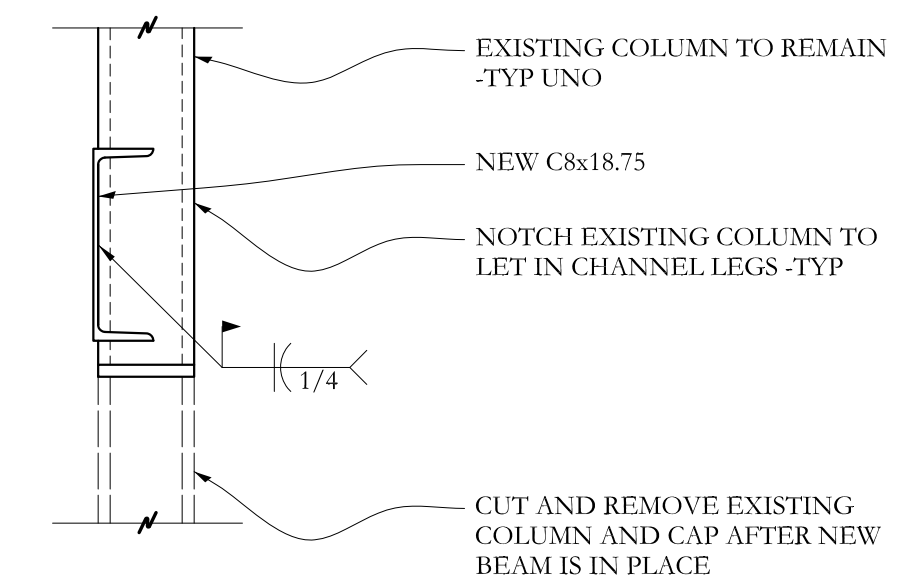
SECTION **A** 1 1/2"=1'-0



SECTION **B** 1 1/2"=1'-0



SECTION **C** 1 1/2"=1'-0



SECTION **D** 1 1/2"=1'-0

**FOR COORDINATION AND REVIEW**  
**NOT FOR CONSTRUCTION**

**Structural Integrity**  
Consulting Engineers, Inc.

77 Oak Street  
Portland, ME, 04101  
p. 207-774-4614  
f. 866-793-7835  
www.structuralinteg.com

SI # 10-0116

BUILD WITH CONFIDENCE  
© 2010 Structural Integrity Consulting Engineers, Inc.