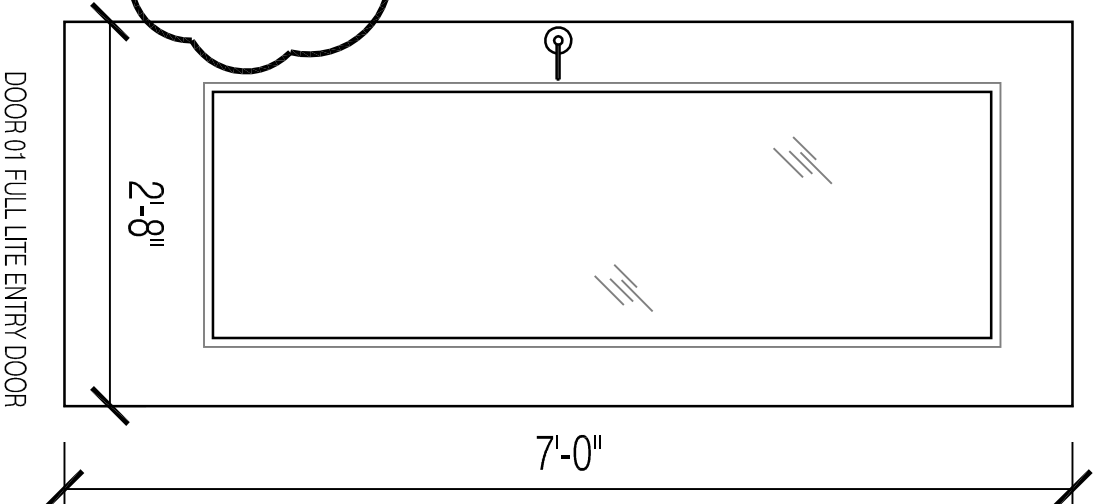


GLAZING NOTES:
 TEMPERED GLASS TO BE USED FOR DOOR GLAZING
 ALL GLAZING SHALL CONFORM TO IRC 2012 R308.
 WINDOW GLAZING WITH SILL HIS LESS THAN 16" TO BE TEMPERED.
 WINDOW GLAZING 24" OR CLOSER TO DOORS SHALL BE TEMPERED.
 WINDOW GLAZING 36" OR CLOSER TO STAIRWAYS AND 36" OR LESS ABOVE FLOOR SHALL BE TEMPERED.
 WINDOW GLAZING WITHIN 67" OF THE BOTTOM OF A STAIRWAY AND LESS THAN 36" ABOVE THE FLOOR SHALL BE TEMPERED.



THIRD FLOOR PLANS
 KNOX

DATE:	5.18.2017
DRAWN BY:	BB

A2