



*Shown w/Prairie screen doors & design grills -  
Aspen corner cabinet w/topper*

Warmth, coziness, style and quality. . .  
*From our family to yours.*

# Designer Options & Accessories

## Doors



Arched Mission design  
onyx door



Rectangular Mission design  
brushed nickel door



Arched Renaissance pattern  
antique copper door

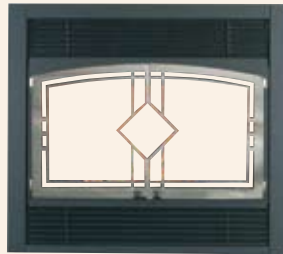


Rectangular Renaissance pattern  
brushed nickel door

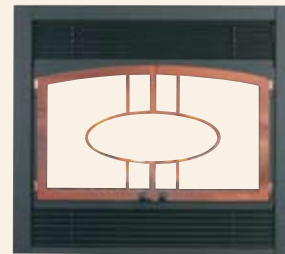
The above decorative full doors are available as an option with matching plated face (special order)



Black onyx Mission design



Brushed nickel diamond pattern



Antique copper oval pattern

The above three doors are available in all finishes, only black contains screen



Black Prairie screen door



Black screen door

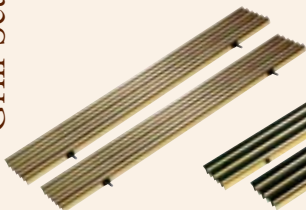


Moose pattern

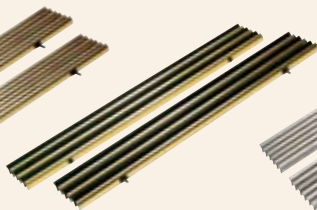


Deer w/broken tree pattern

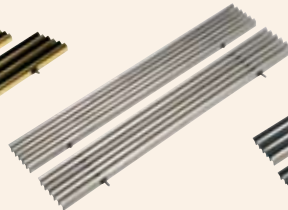
## Grill Sets



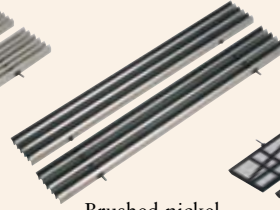
Brass grills



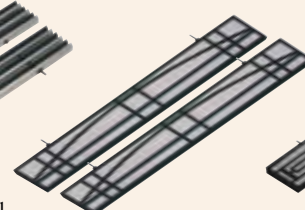
Brass accent grills



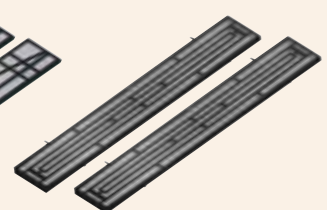
Brushed nickel grills



Brushed nickel  
accent grills



Mission design grills



Prairie design grills

Black, chrome and chrome accent grills not shown

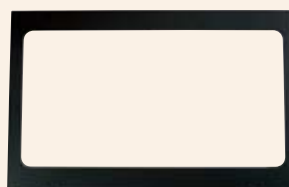
## Trims



Arched valance brass trim



Arched valance chrome trim



Rectangular valance



Valance screen

## Controls



Wall mount thermostat



Wireless wall mount  
thermostat



Remote control

## Refractory



Brick refractory



*Shown standard*



*Shown brushed nickel  
Mission design doors  
& accent grills -  
Keystone wall cabinet*

## Small space, big warmth...

**W**arm up even the smallest space with Kozy Heat's "Windom" rear-direct vent gas fireplace. With a depth of only 11", it's the slimmest fireplace in the industry! It's slim depth is one of the "Windom's" biggest benefits, not to mention an incredible burn. Choose from a variety of optional accessories to complement your home's décor.

Kozy Heat... Quality Fireplaces for Life.

# Windom Rear DV

# Quality Fireplaces for Life

Model	Fuel Option	High	Low	Efficiency*
#56101	NG	23,000	16,000	80%
	LP	19,000	14,000	82%

\* Steady state efficiency at high burn.

## Zone Heat

Install a Kozy Heat furnace rated, high efficient fireplace and save money - lower your fuel bill when you turn your furnace down and heat only the room(s) where you'll be spending time in.

## Standard Features

- One of the slimmest fireplace depths in the industry – only 11”!
- Refractory panels
- Rear vent for easy installation
- High quality borofloat glass (17” x 30”)
- Quick-latch glass with standard arched valance
- High-low regulator
- Zero clearance
- Patented burner employs groundbreaking vertical flame technology
- Tested to 50 pascals of negative pressure which passes the Minnesota Energy Code for Residential Ventilation

## Optional Features

- Decorative grills (several styles/finishes available)
- Arched valance brass and/or chrome glass trim
- Black, brass and/or chrome “T” trim
- Interior or exterior black trim (for finishing around edges)
- Decorative screen doors (several styles/finishes available)
- Rectangular valance (replaces the arched valance)
- Valance screen
- Automatic fan kit with variable speed control (2 – 110 CFM)
- Remote control or thermostat remote control
- Wall mount thermostat/wireless wall mount thermostat
- Decorative beveled oval design or paneled design glass
- Wall, corner cabinet and flush surround - refer to the cabinetry brochure

## Safety

- Each unit factory tested!
- Tested by OMNI-Test Laboratories
- Complies with ANSI Z21.88-2002 • CSA 2.33-2002 ‘Vented Gas Fireplace Heater’
- Sealed combustion chamber
- Removable millivolt board with 30-second delay
- Safety pilot with piezo standing pilot ignition
- Requires **no electricity** to operate - excluding fan
- Automatic pressure relief glass system
- Bedroom and mobile home approved

## Framing Dimensions

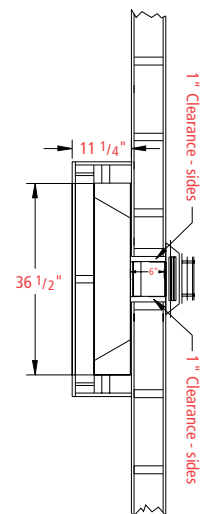
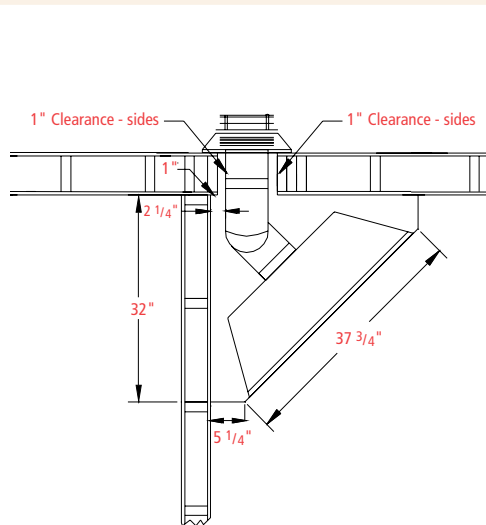
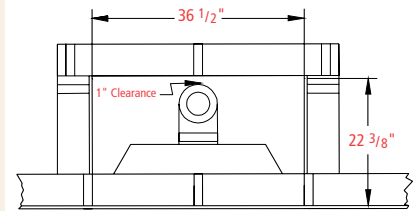
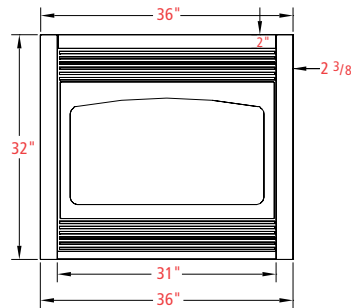
- Height - 32 1/4”
- Width - 36 1/2”
- Depth - 11 1/4”
- Platform - 36” W x 11” D
- Firestop framing - refer to vent manufacturer’s specifications

## Specifications

- Height - 32”
- Height at back - 30 1/8”
- Front width - 36” Back width - 23 3/8”
- Depth - 11”
- Flue size - 4” exhaust 6 5/8” combustion air

## Vent System and Requirements

- Minimum vertical vent run - 0”
- Maximum vertical run - 25’
- Minimum horizontal run - 6”
- Maximum horizontal run - 14’



For complete information and installation instructions, contact your Kozy Heat Dealer at:

Manufactured by Hussong Mfg. Co. Inc.  
204 Industrial Park Drive, Lakefield, MN 56150  
Phone 1-800-253-4904 www.kozyheat.com

In order to continually provide the highest quality product available, specifications and dimensions are subject to change. Refer to the unit installation manual for complete installation instructions. Installation must conform with local building codes.  
10-09