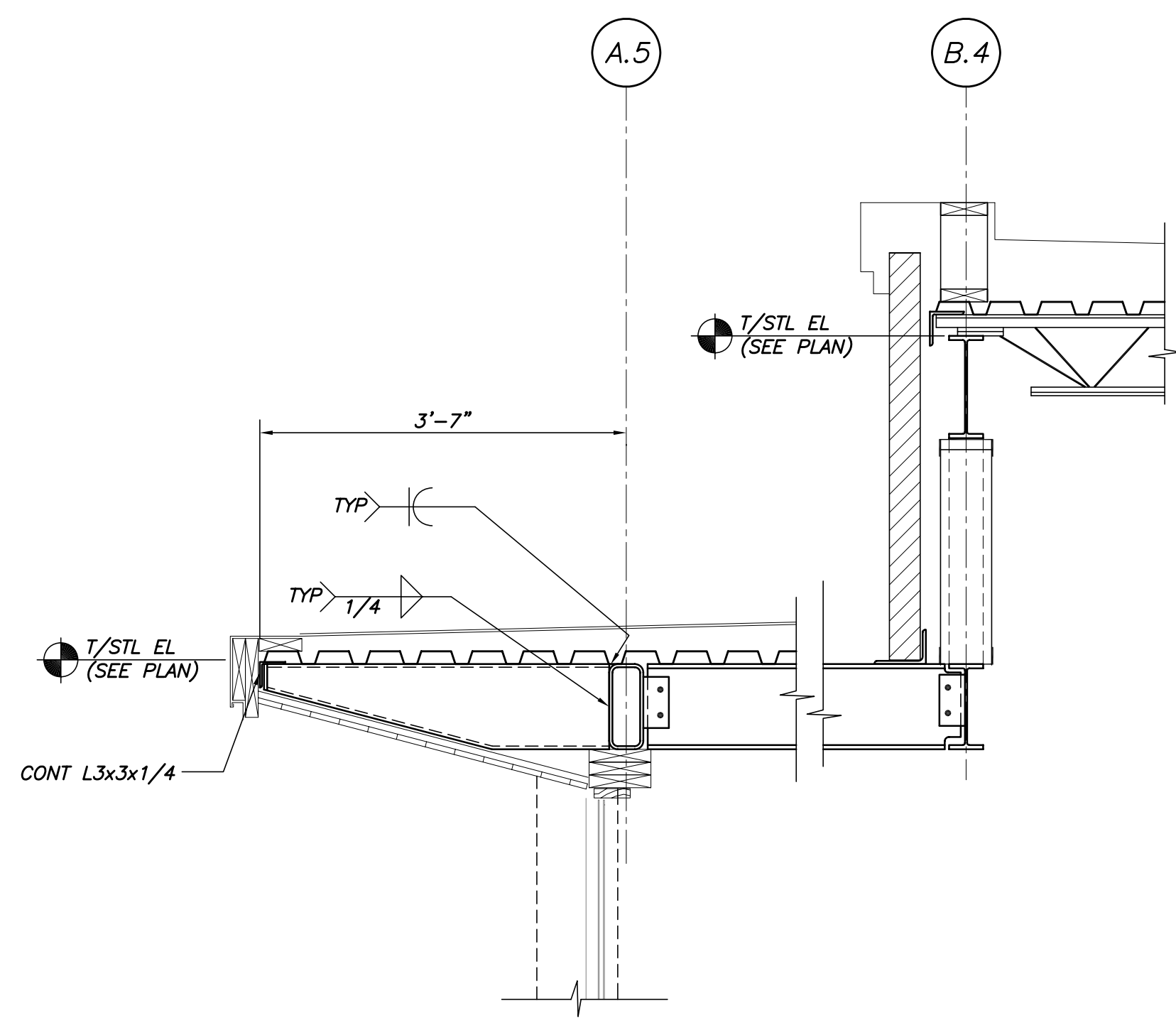
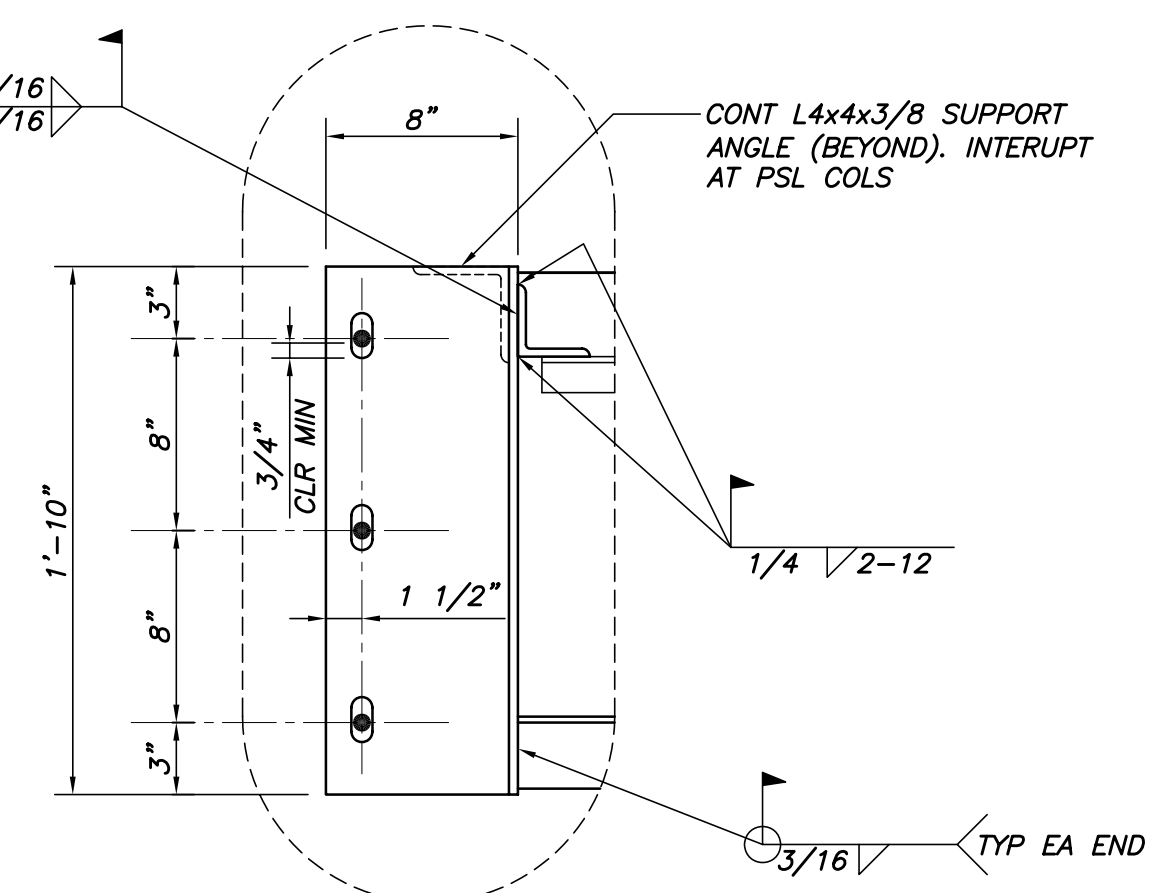


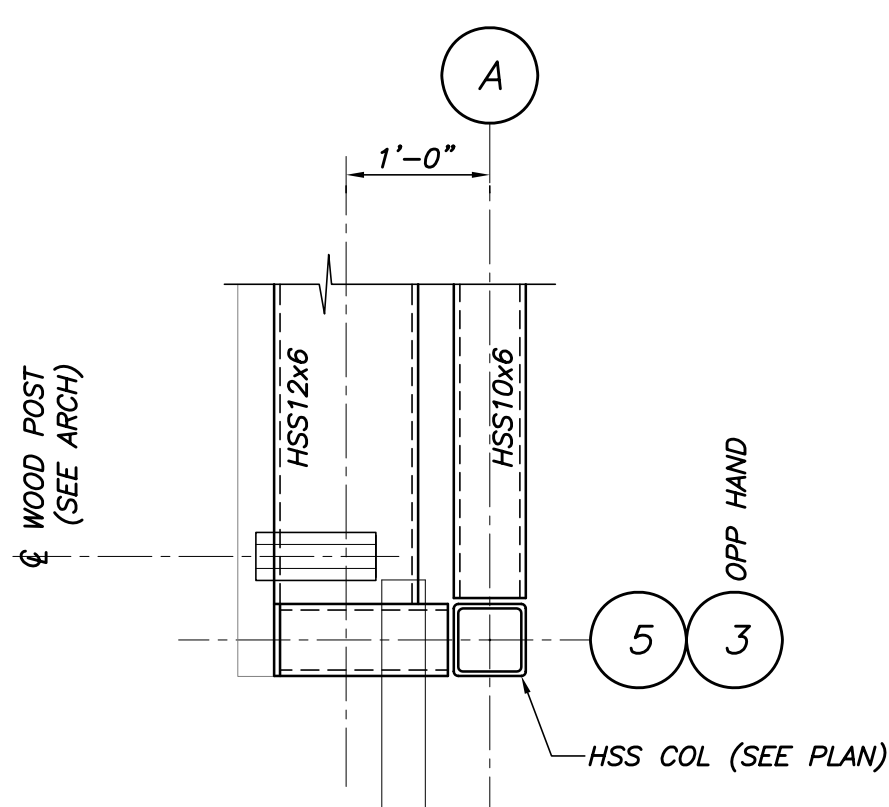
SECTION 1
3/4"=1'-0"
S1.2, S1.3



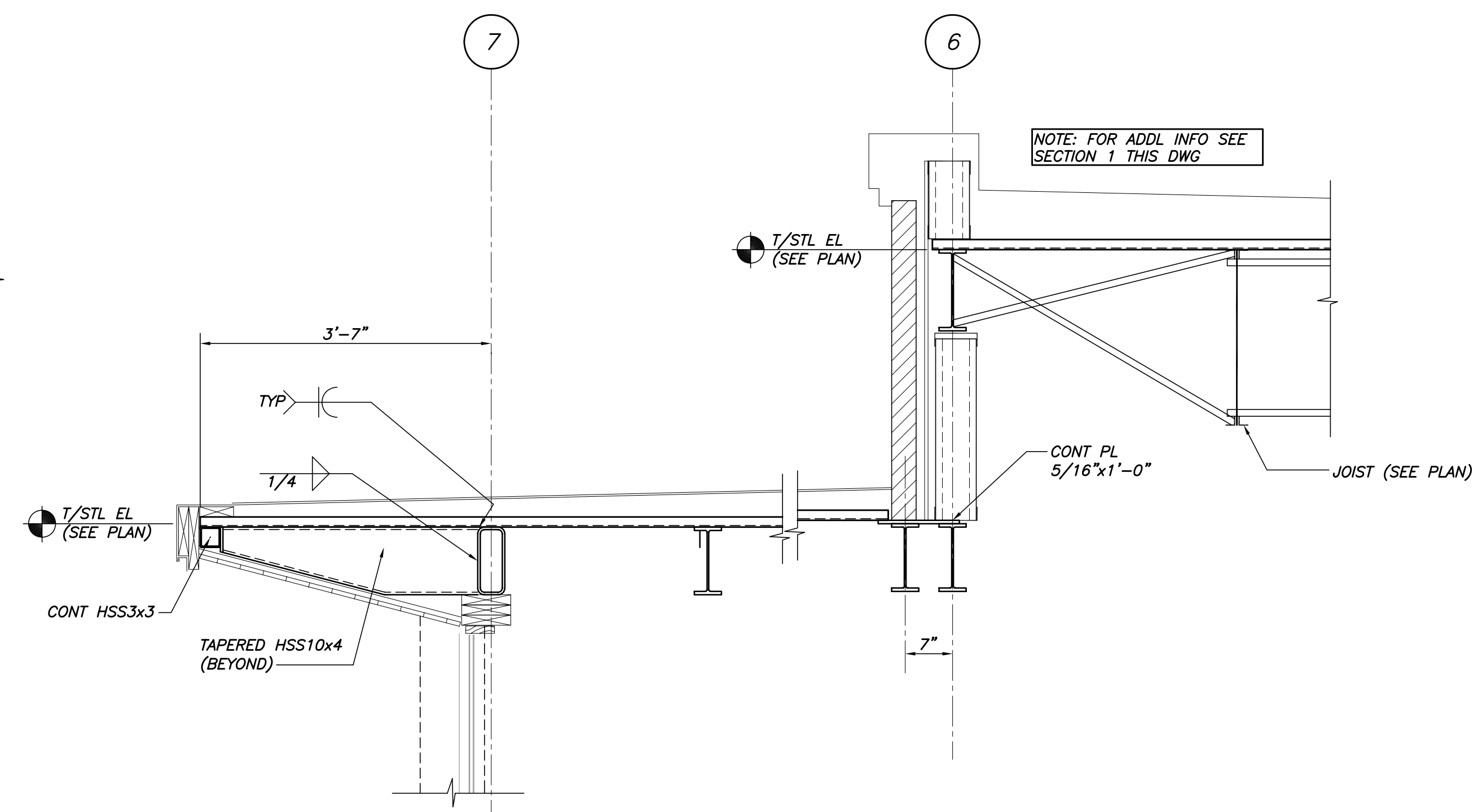
SECTION 3
3/4"=1'-0"
S1.3



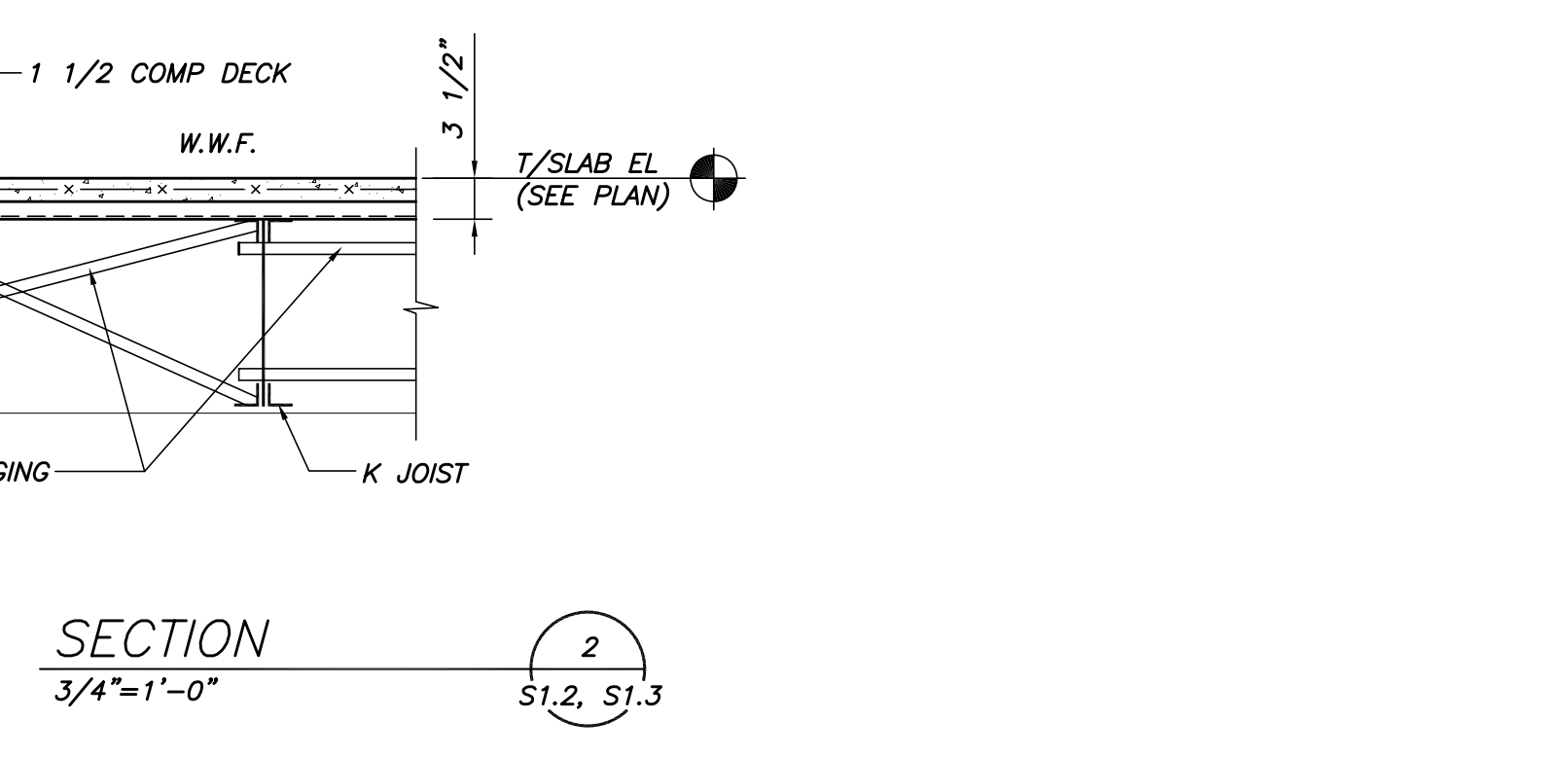
DETAIL A
1 1/2"=1'-0"
S3.4



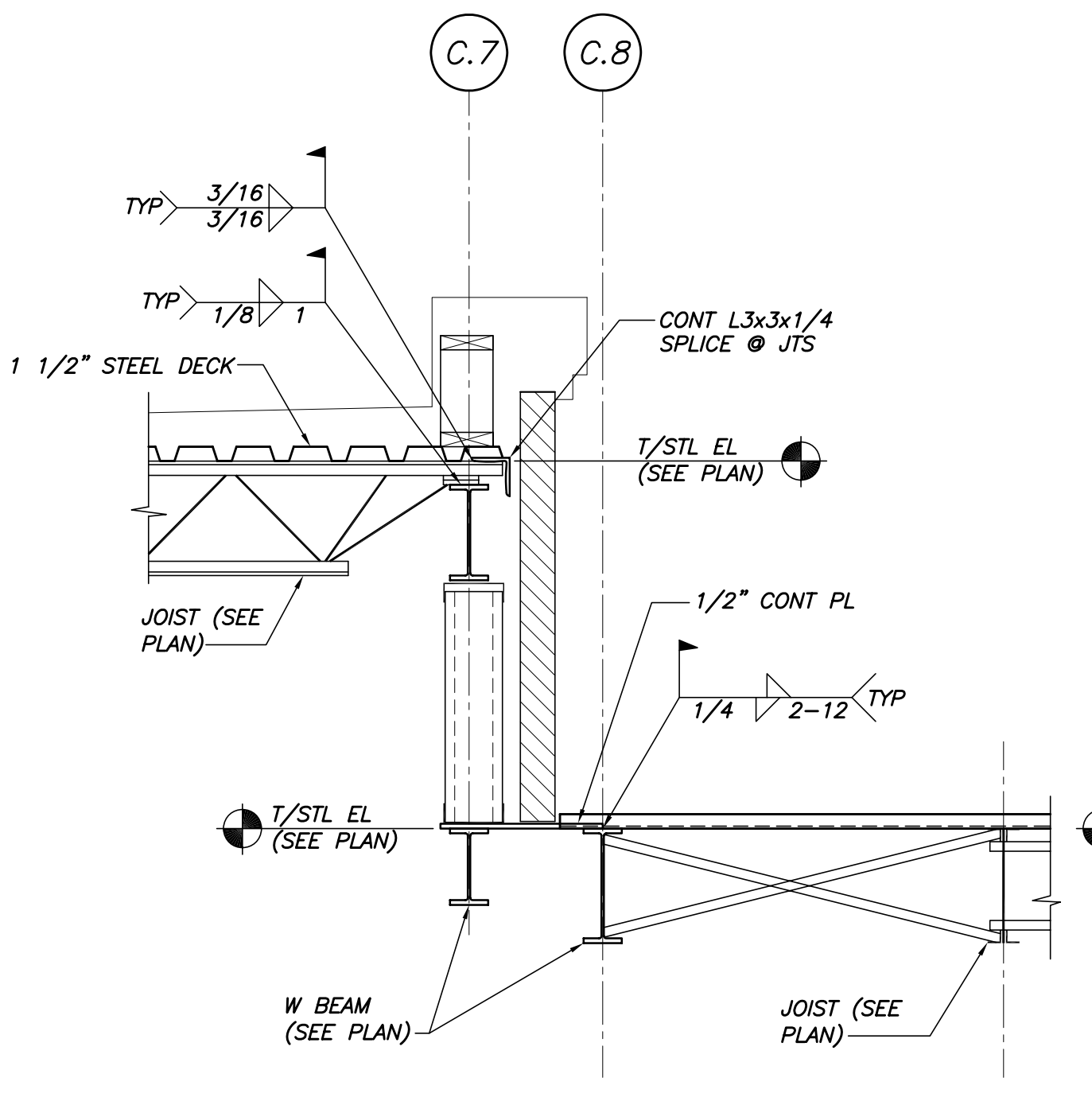
DETAIL B
3/4"=1'-0"
S1.2



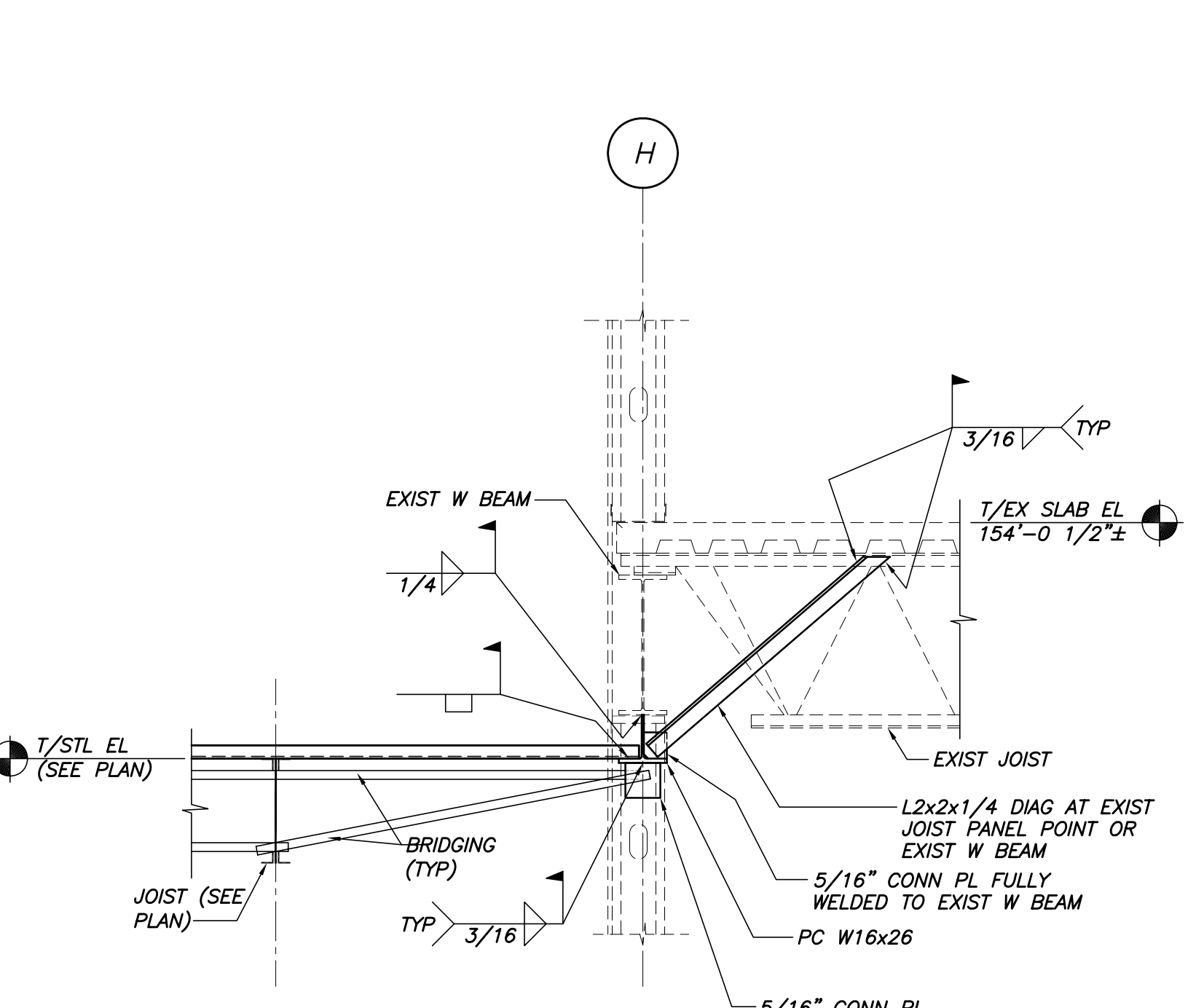
SECTION 2
3/4"=1'-0"
S1.2, S1.3



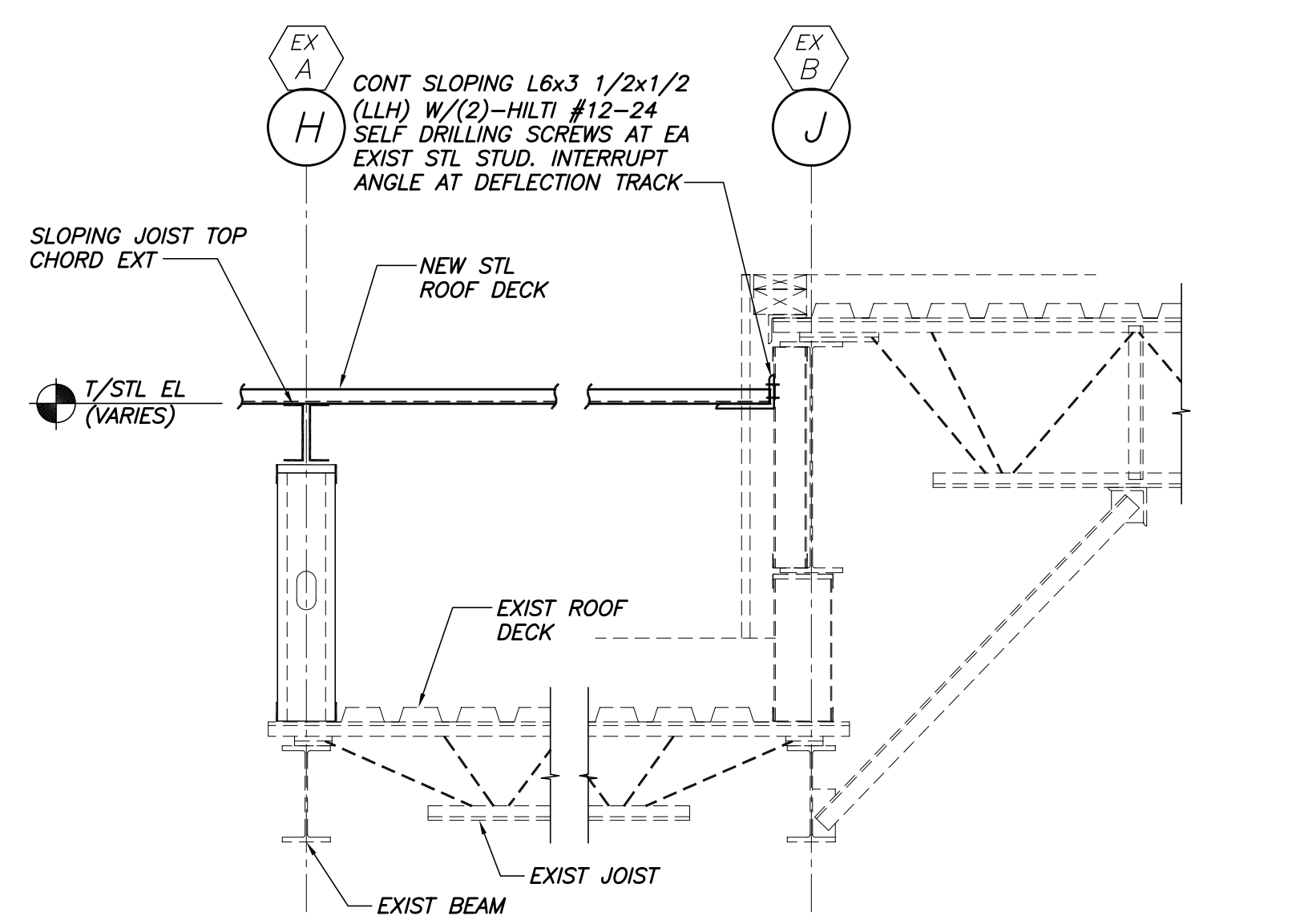
SECTION 6
3/4"=1'-0"
S1.4



SECTION 4
3/4"=1'-0"
S1.3



SECTION 5
3/4"=1'-0"
S1.3



SECTION 7
3/4"=1'-0"
S1.4

BECKER
structural engineers, inc.

75 York Street
Portland, ME 04101-4701
info@beckerstructural.com

Tel 207-879-1838
Fax 207-879-1822
www.beckerstructural.com



Scott Simons Architects
75 York Street
Portland, Maine 04101
phone 207 772 4656
fax 207 828 4656

THIS DRAWING IS THE PROPERTY OF SCOTT SIMONS ARCHITECTS AND IS NOT TO BE COPIED OR REPRODUCED IN PART OR WHOLE.

PROJECT
**WAYNFLEETE ARTS CENTER
PHASE TWO**

ADDITION/ RENOVATION
360 SPRING STREET
PORTLAND, ME

TITLE
**FRAMING SECTIONS
AND DETAILS**

STATUS: ISSUED FOR BIDDING

DATE: 08.07.2007	REVISION /DATE:
NOTED:	
PROJECT NO. 2003-0104/00	
DRAWN BY: APP	
DWG NO.	2007© Scott Simons Architects