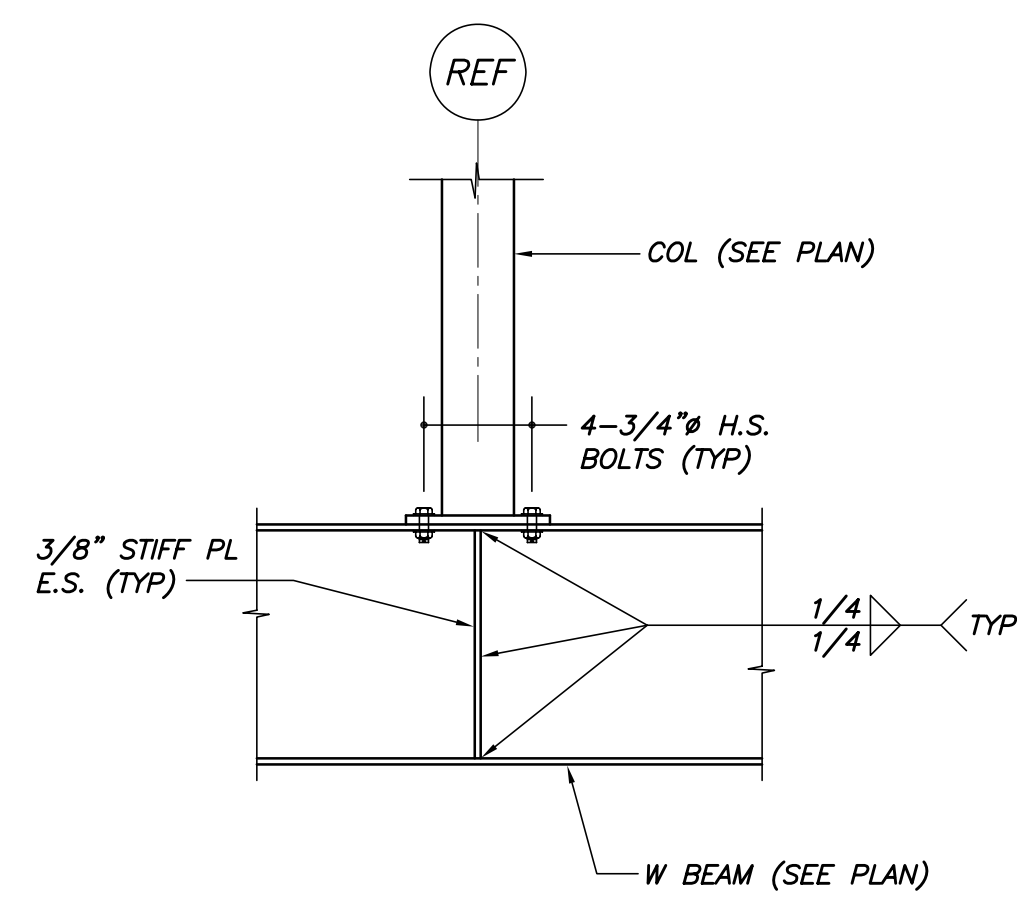
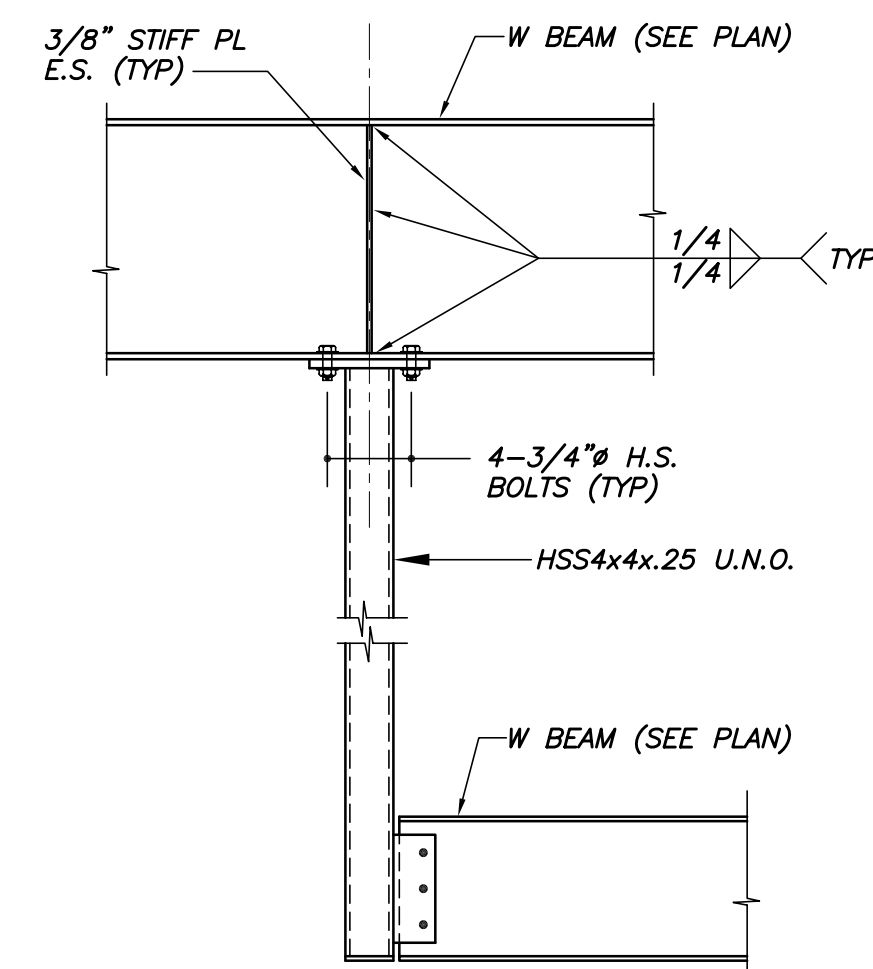


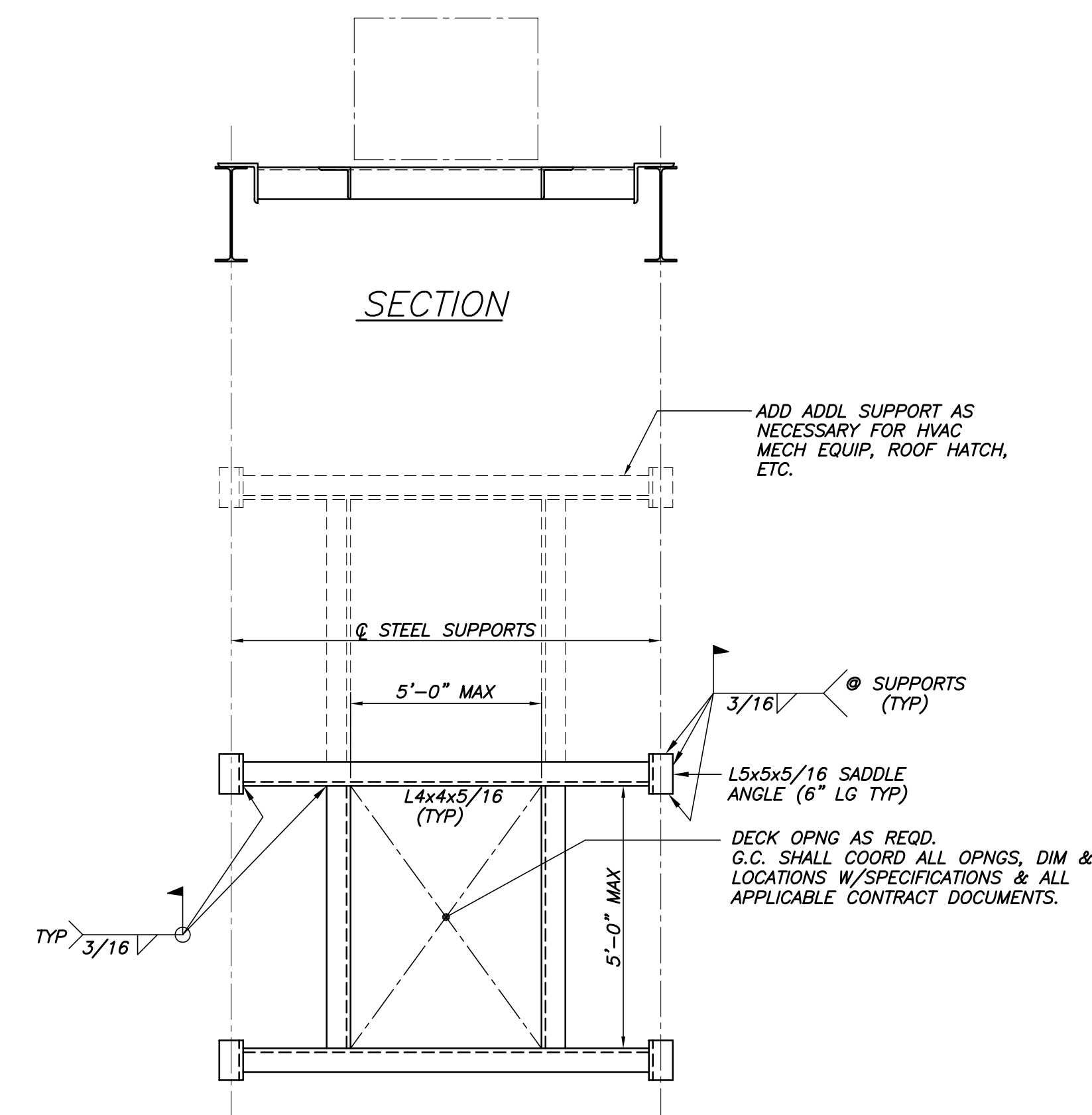
TYP BEAM TO HSS COL CONN U.N.O.  
N.T.S.



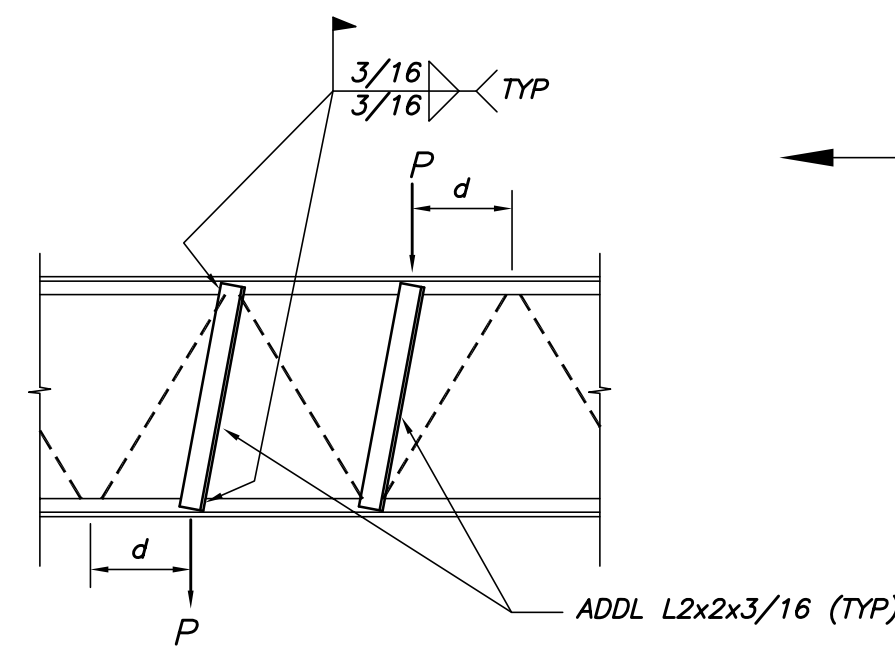
TYP COL TRANSFER DETAIL  
N.T.S.



TYP HSS HANGER DETAIL U.N.O.  
N.T.S.

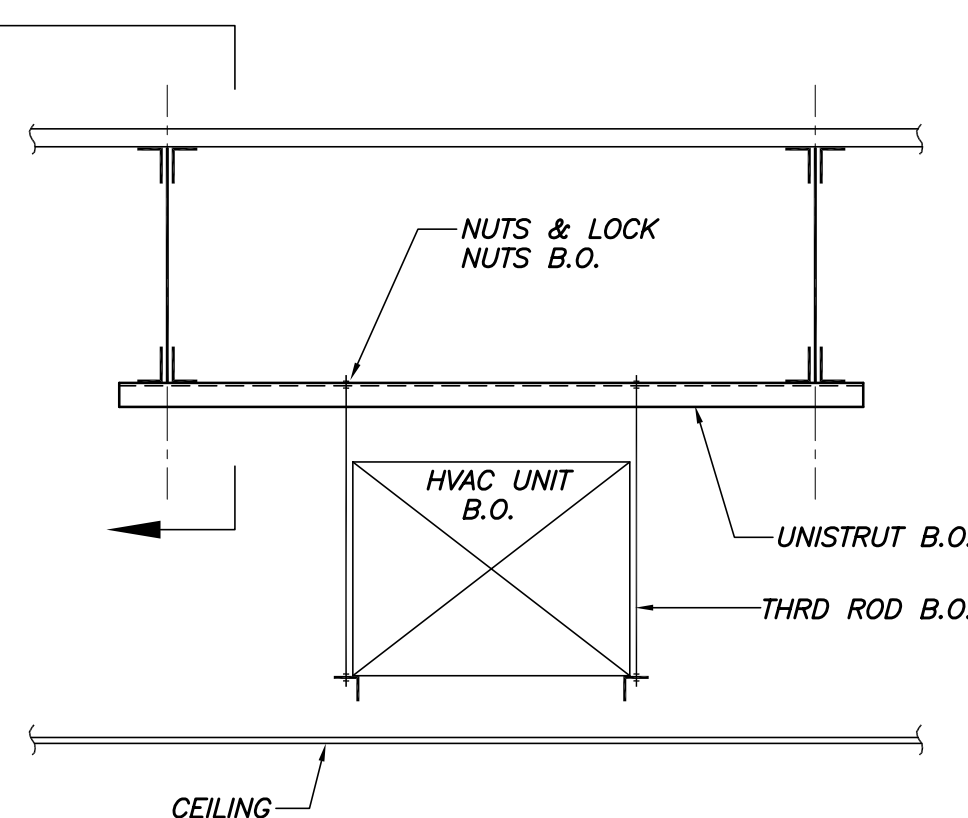


PLAN OF TYP OPENING IN ROOF DECK  
N.T.S.  
TYPICAL @ FANS & OTHER MECH & HVAC EQUIP U.N.O.

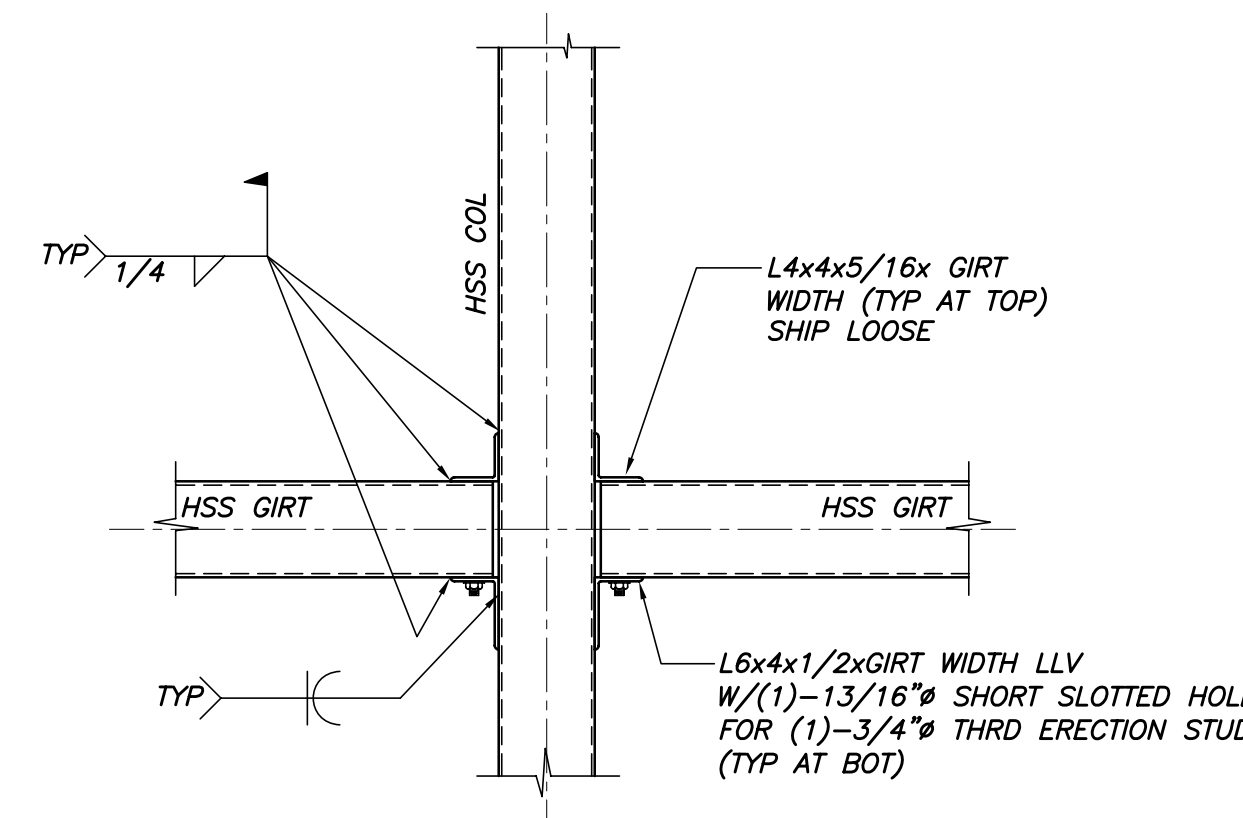


TYP JOIST REINF DETAIL  
N.T.S.

- FOR CONCENTRATED LOADS LOCATED A DISTANCE "d", 4" OR MORE FROM PANEL POINT, PROVIDE ADDITIONAL WEB MEMBERS AS SHOWN.
- P = 300# MAX LOAD.

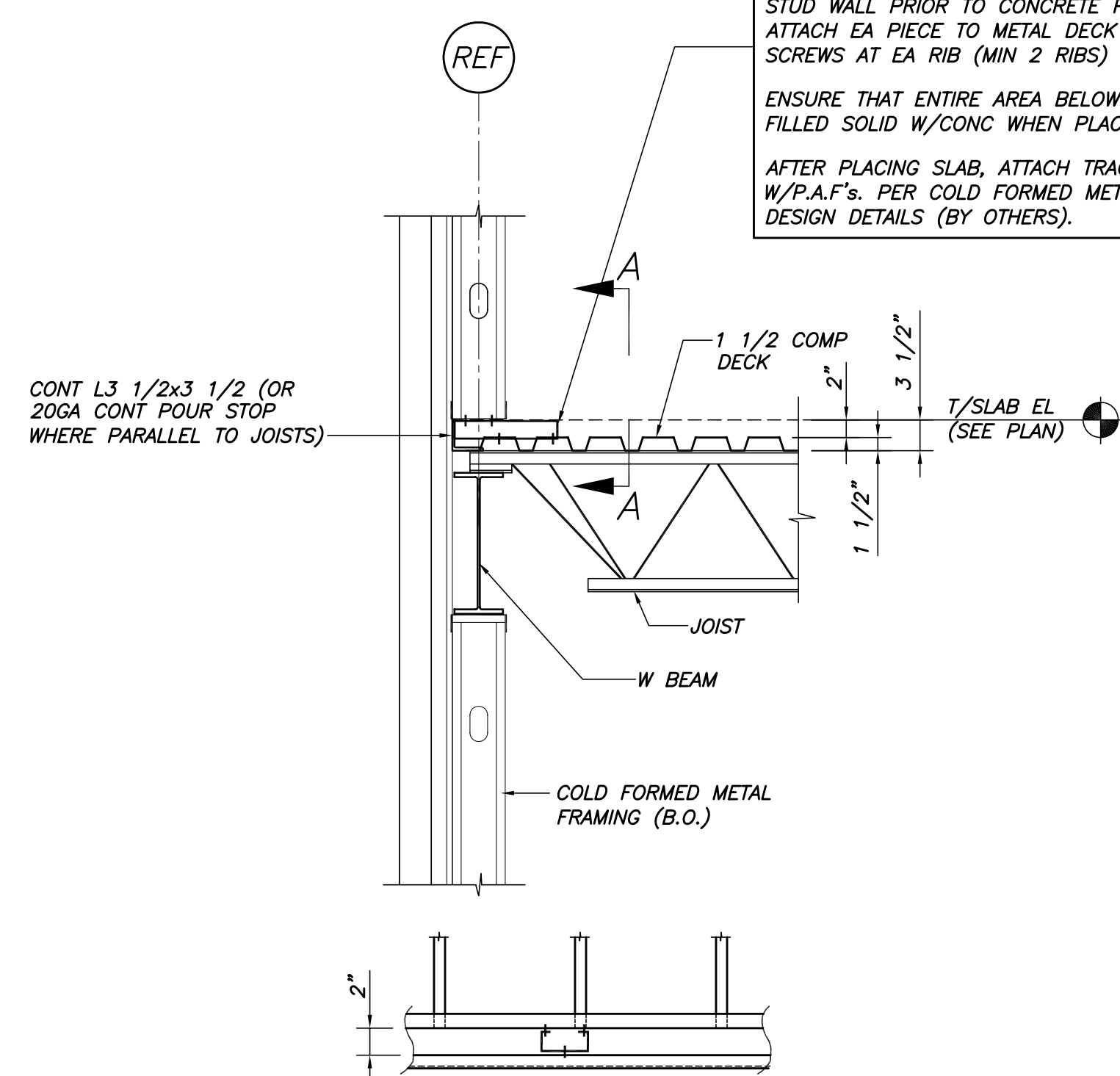


TYP SUPPORT DETAIL @ HANGING EQUIP  
N.T.S.

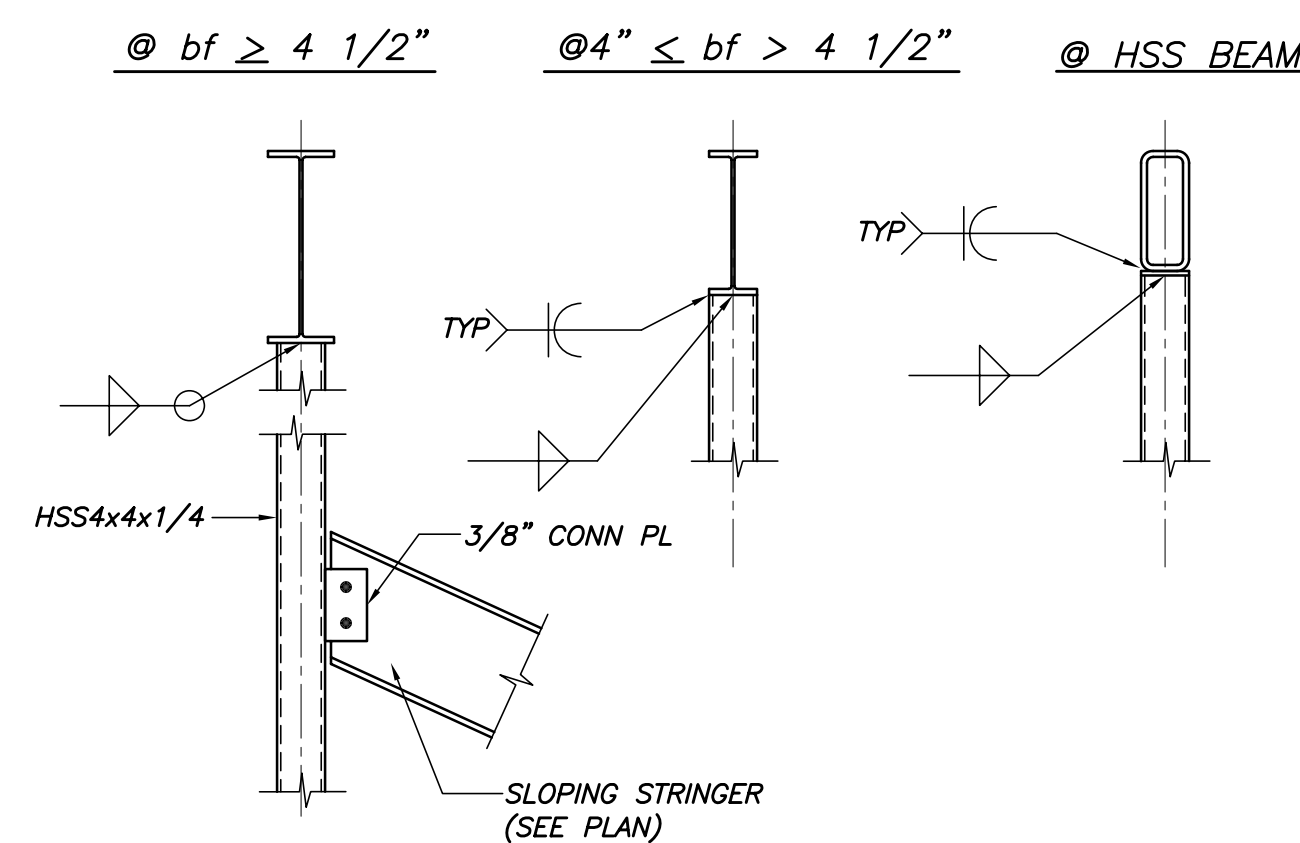


TYP HSS GIRTS TO HSS COL DETAIL U.N.O.  
N.T.S.

6CSW SUPPORT (GAGE & SPACING PER CFMF DESIGN (20 GA MIN, 48" O.C. MAX & AT JAMBS)) TO SUPPORT COLD FORMED METAL STUD WALL PRIOR TO CONCRETE PLACEMENT. ATTACH EA PIECE TO METAL DECK W/#10 SCREWS AT EA RIB (MIN 2 RIBS) & TO TRACK. ENSURE THAT ENTIRE AREA BELOW TRACK IS FILLED SOLID W/CONC WHEN PLACING SLAB. AFTER PLACING SLAB, ATTACH TRACK TO SLAB W/P.P.A.'s, PER COLD FORMED METAL FRAMING DESIGN DETAILS (BY OTHERS).



SECTION A-A  
TEMPORARY COLD FORMED STUD WALL SUPPORT DETAIL (OPTIONAL)  
N.T.S.



TYP HANGER DETAIL AT ASSEMBLY SEATING  
N.T.S.

**BECKER**  
structural engineers, inc.

75 York Street Portland, ME 04101-4701  
Tel 207-879-1838 Fax 207-879-1822  
info@beckerstructural.com www.beckerstructural.com

**SSA**  
Scott Simons Architects  
75 York Street Portland, Maine 04101  
phone 207 772 4656 fax 207 828 4656

THIS DRAWING IS THE PROPERTY OF SCOTT SIMONS ARCHITECTS AND IS NOT TO BE COPIED OR REPRODUCED IN PART OR WHOLE.

PROJECT  
**WAYNFLETE ARTS CENTER PHASE TWO**  
ADDITION/ RENOVATION  
360 SPRING STREET  
PORTLAND, ME

TITLE  
**FRAMING SECTIONS AND DETAILS**

STATUS: ISSUED FOR BIDDING

DATE: 09.07.2007	REVISION /DATE:
NOTED	
PROJECT NO. 2003-0104/00	
DRAWN BY: APP	2007© Scott Simons Architects
DWG NO.	

**S3.1**