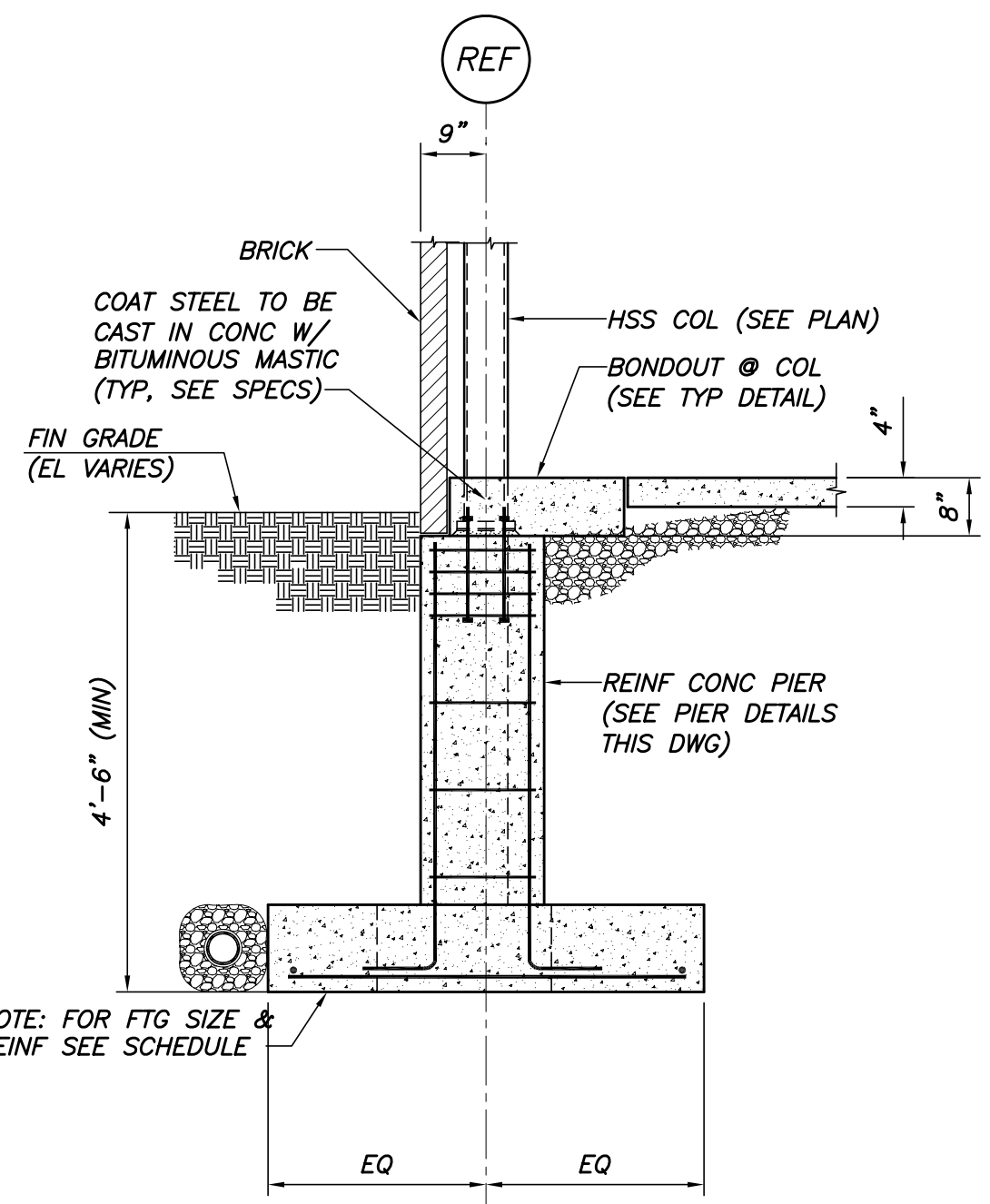
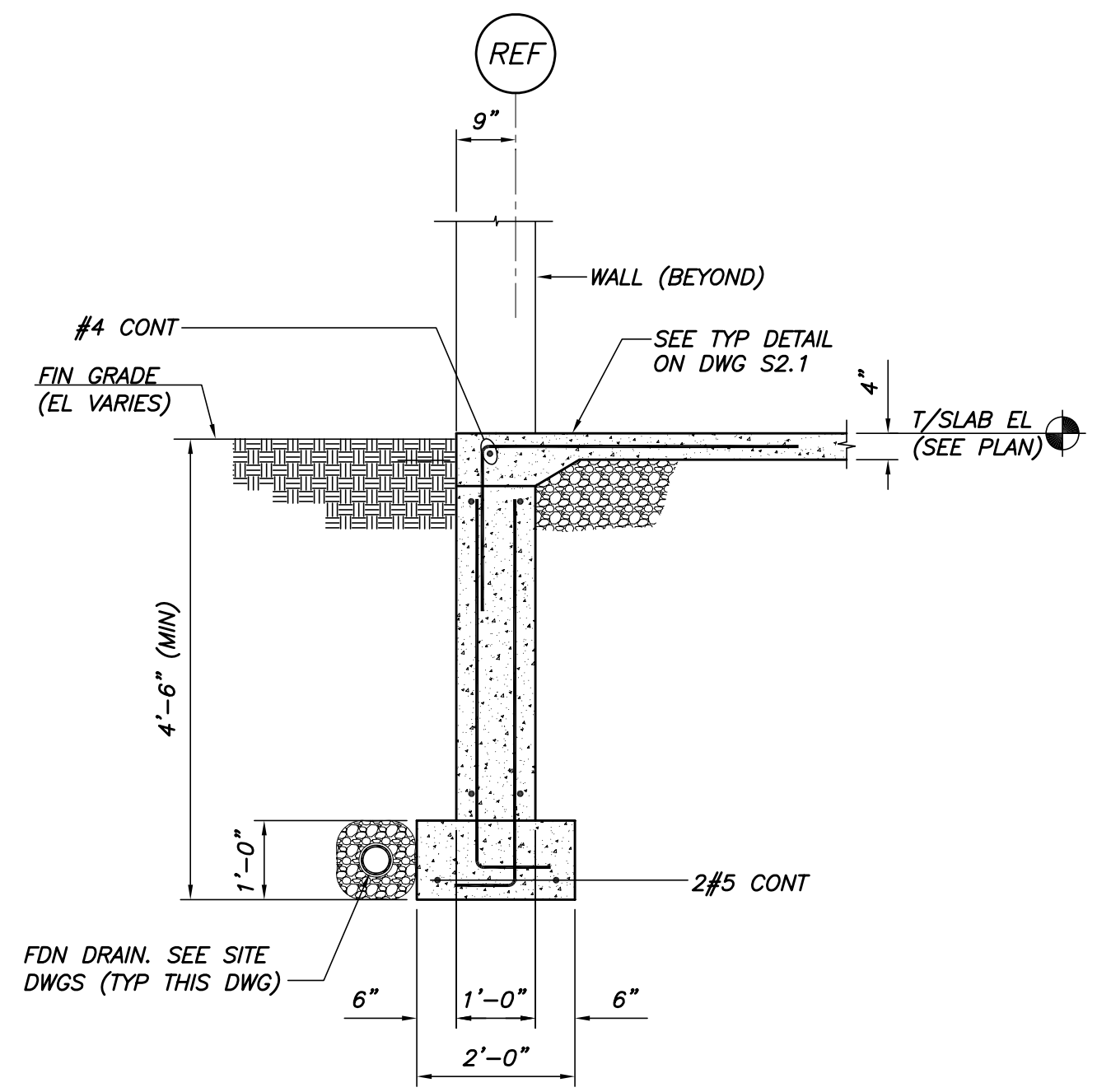


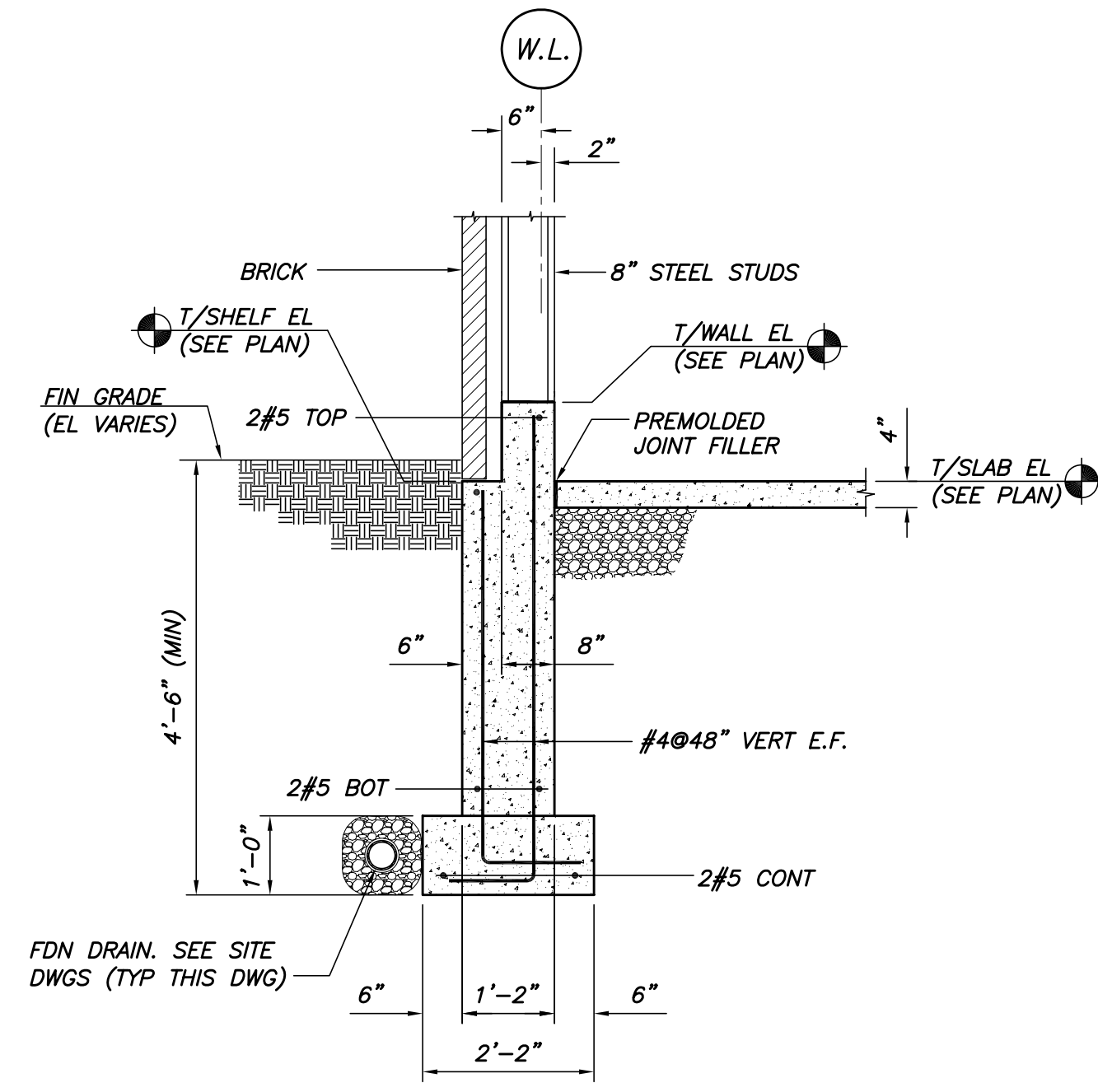
SECTION 1
1/2"=1'-0"



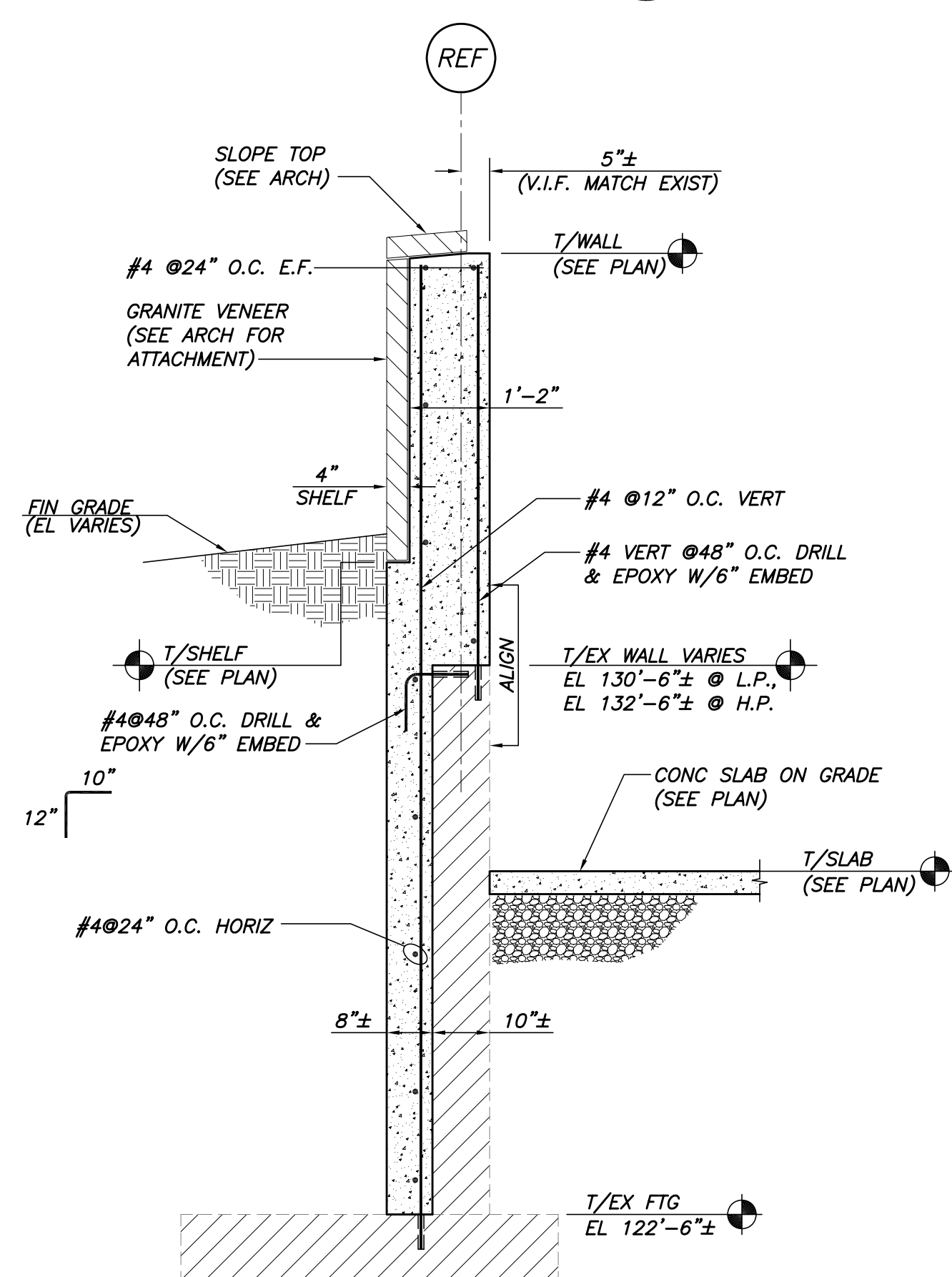
SECTION 2
1/2"=1'-0"



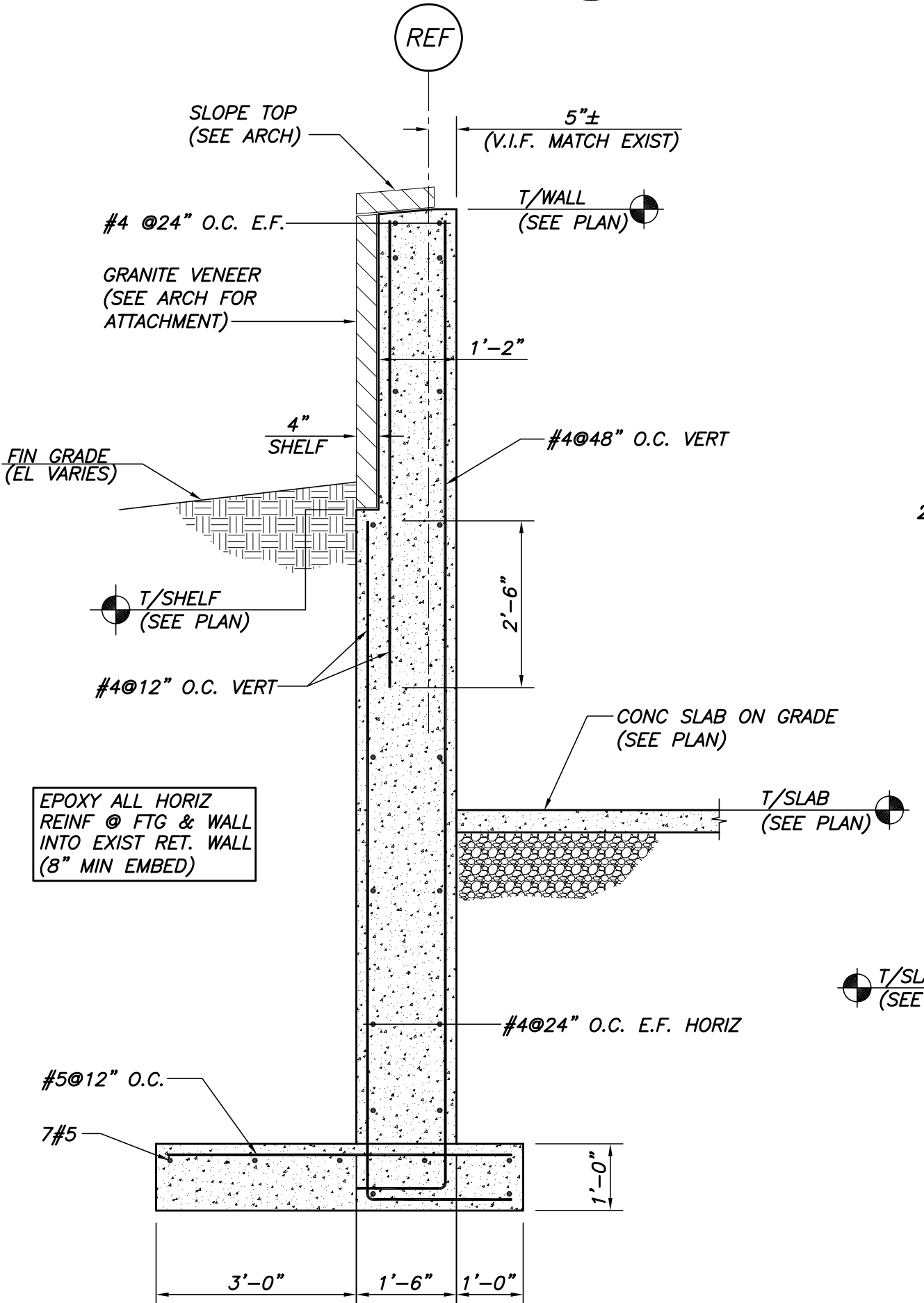
SECTION 3
1/2"=1'-0"



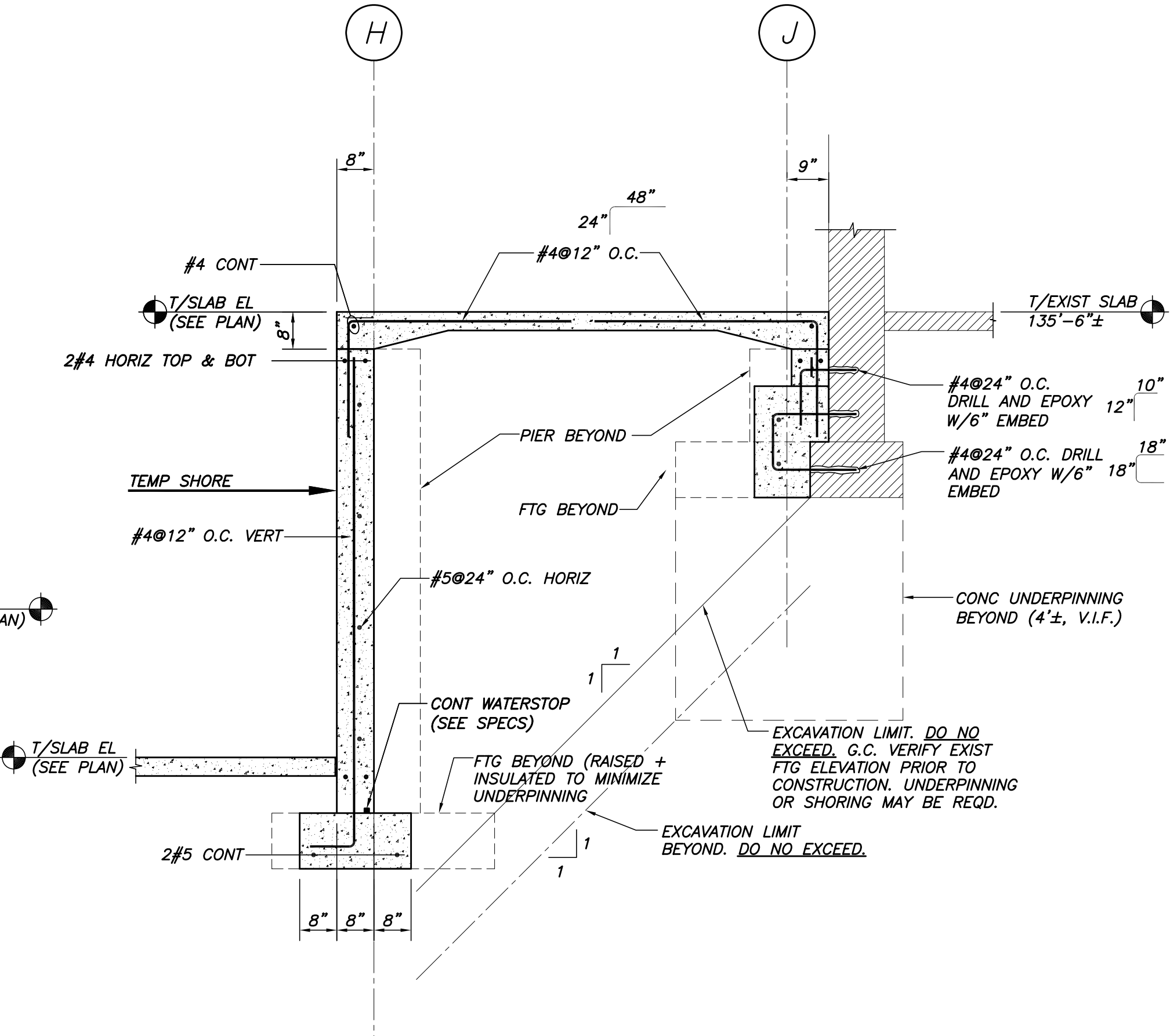
SECTION 4
1/2"=1'-0"



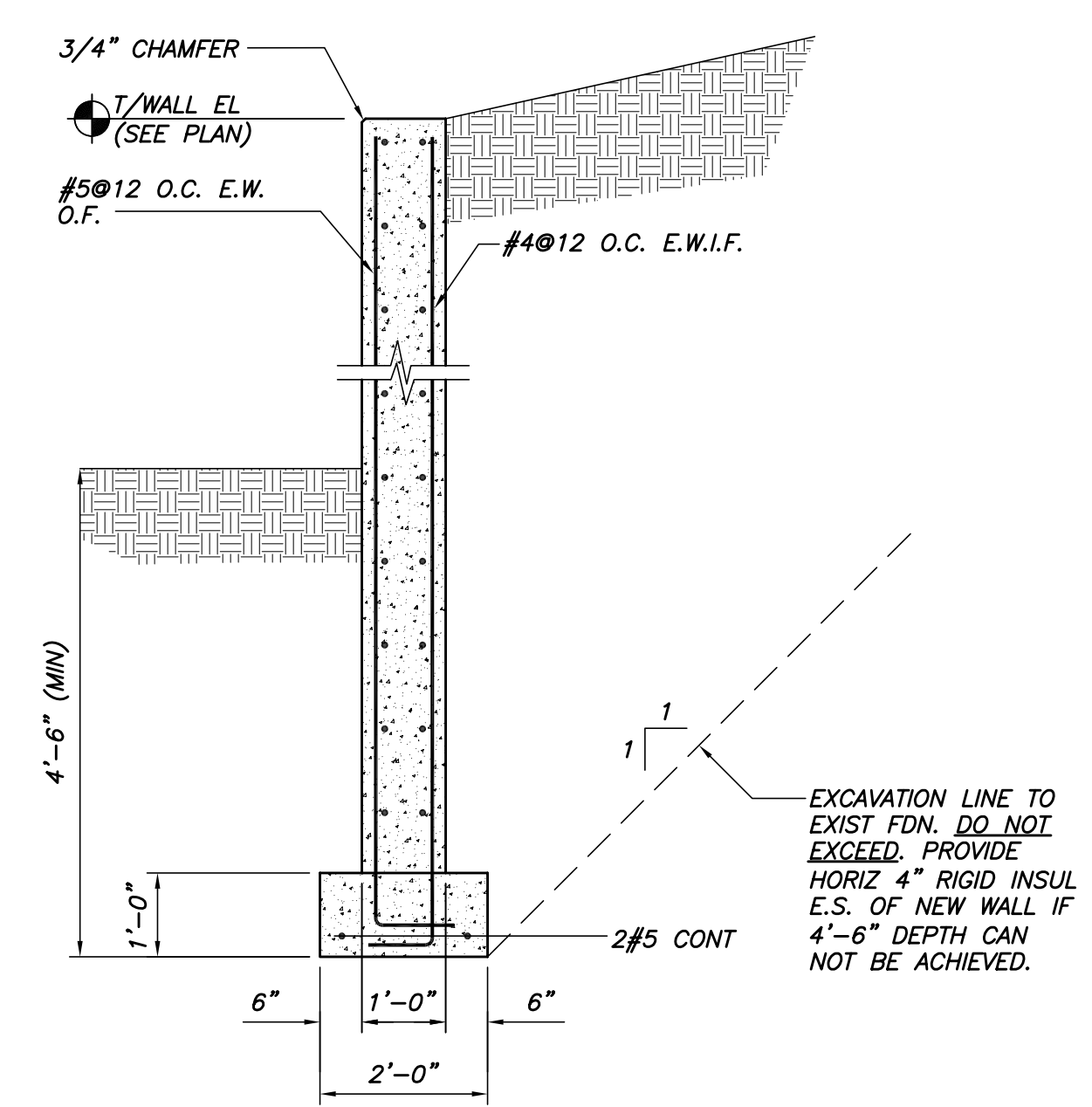
SECTION 5
1/2"=1'-0"



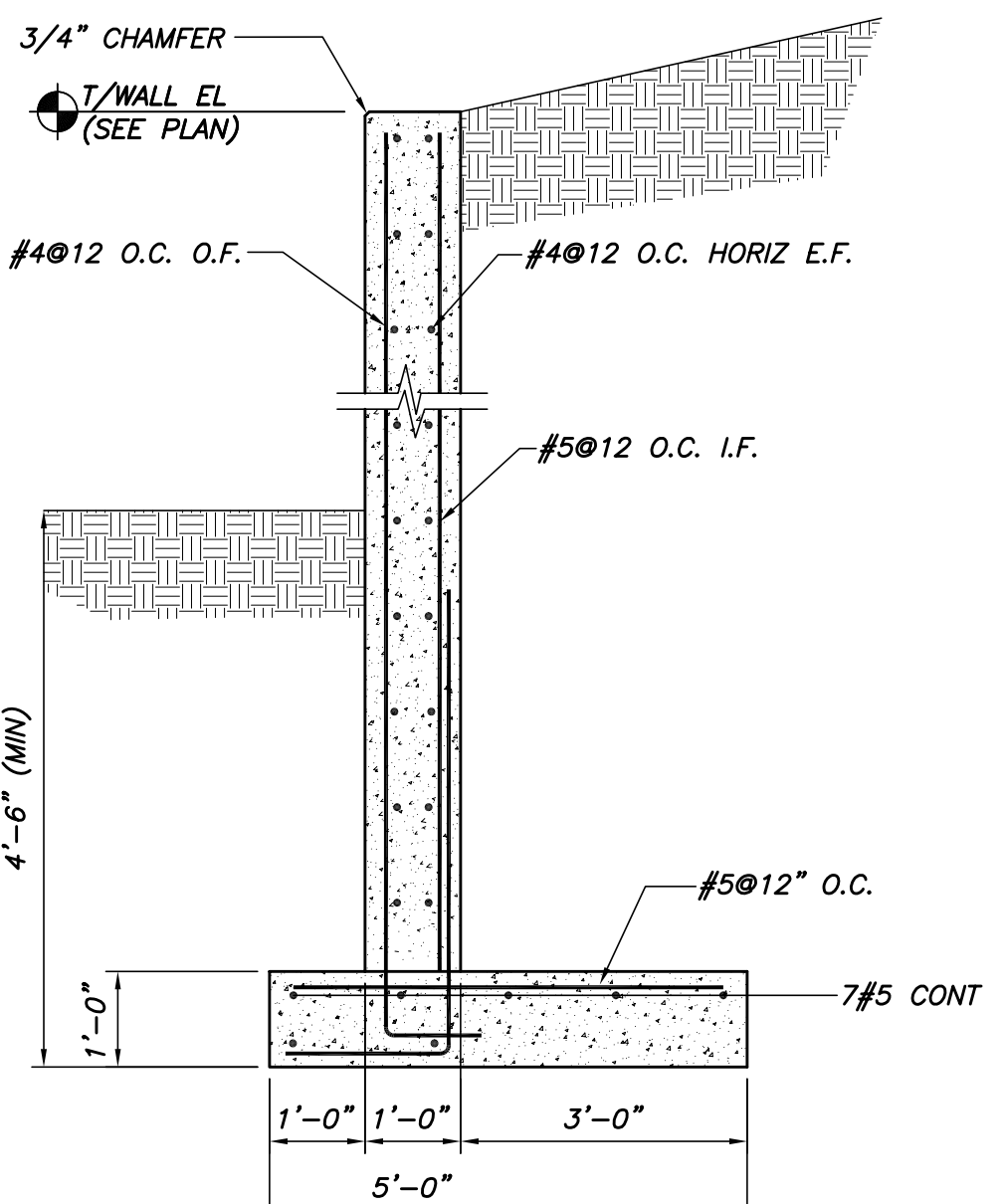
SECTION 5A
1/2"=1'-0"



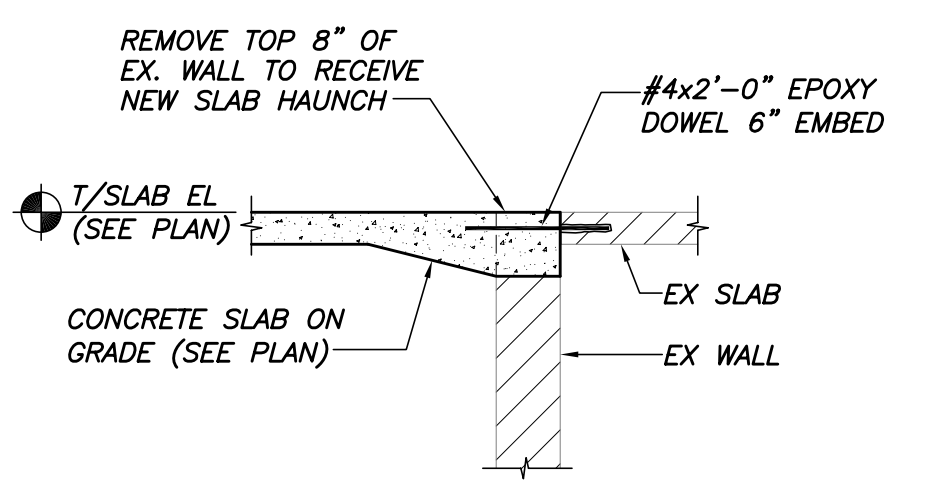
SECTION 6
1/2"=1'-0"



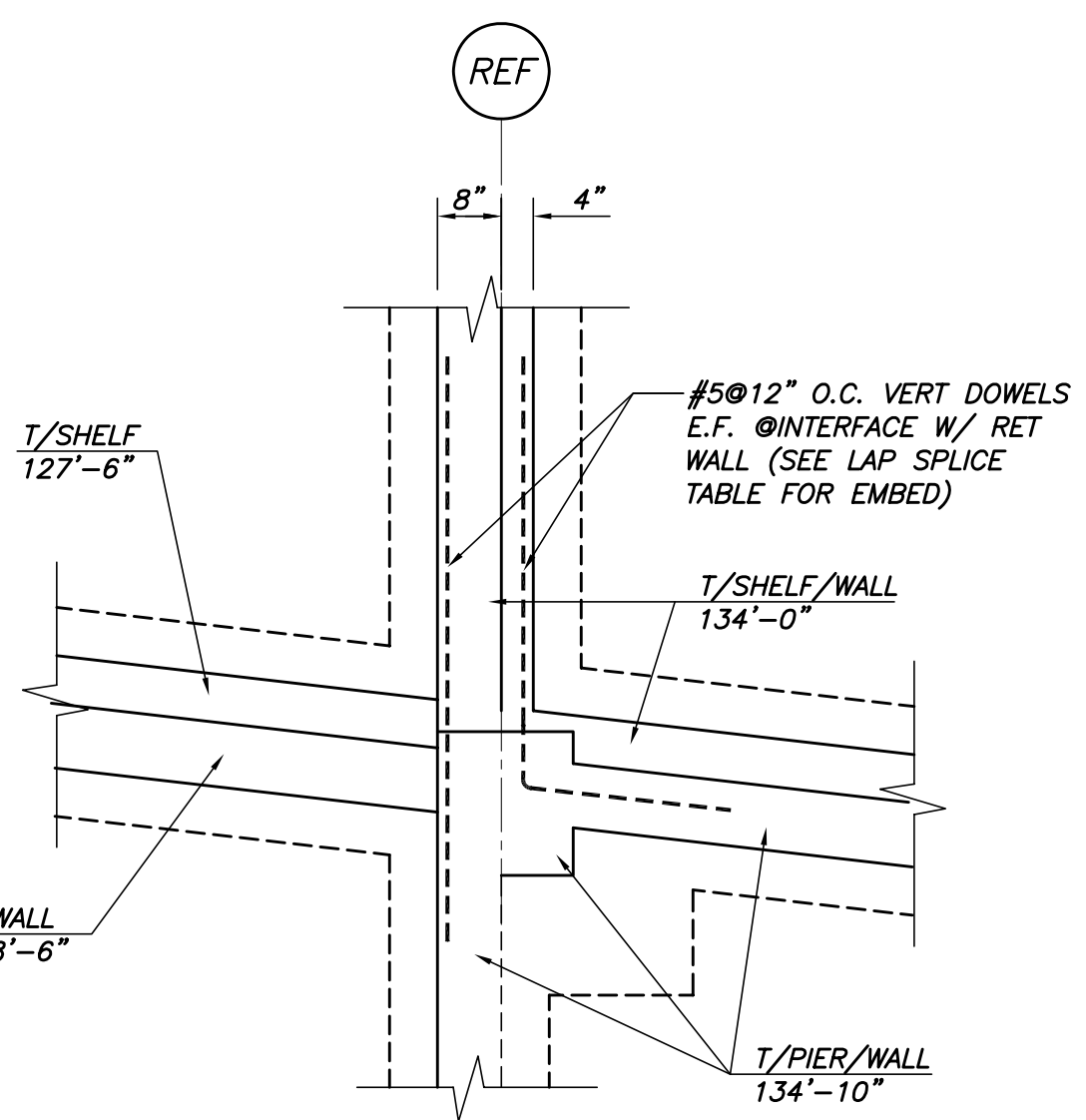
SECTION 7
1/2"=1'-0"



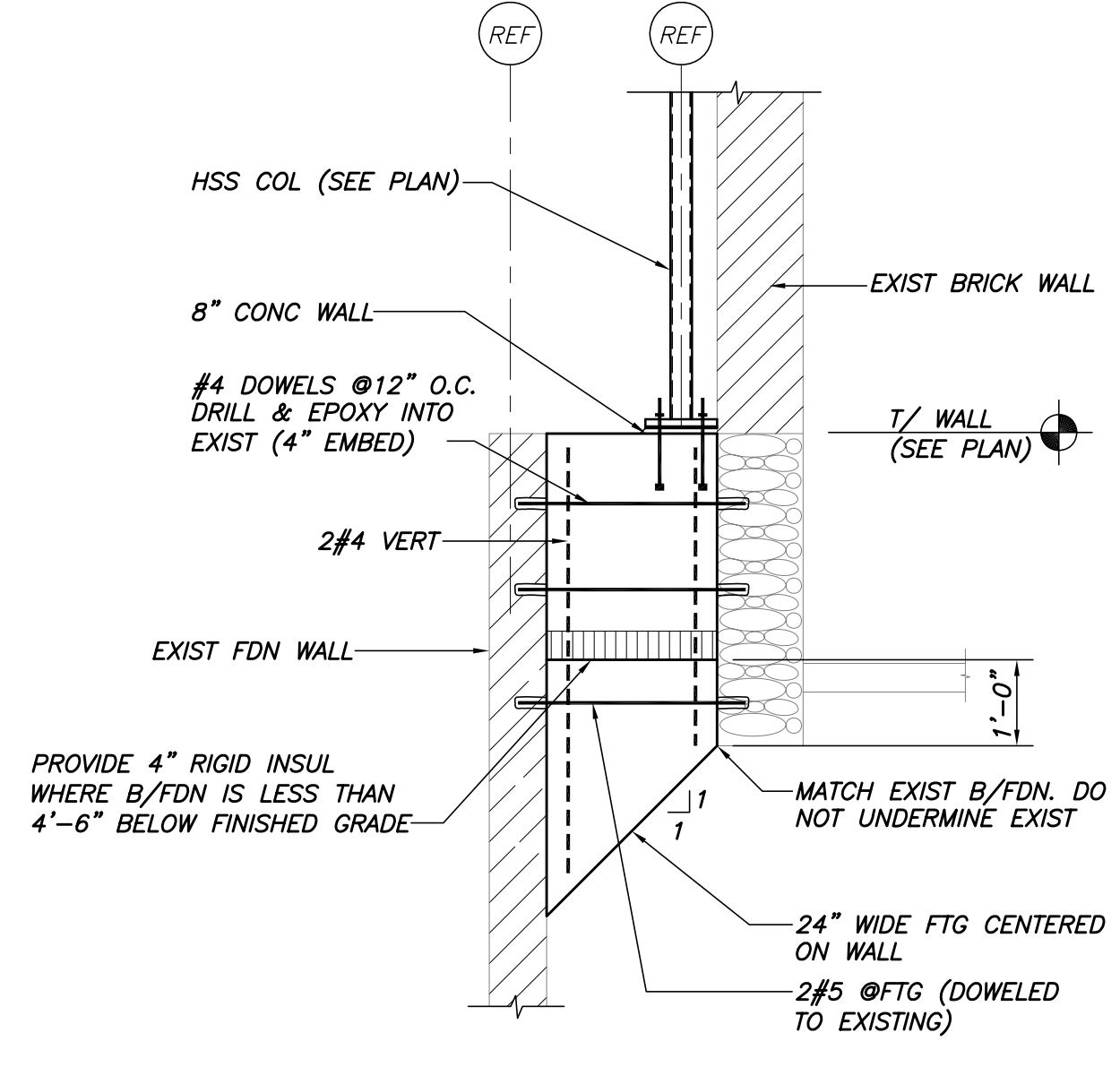
SECTION 8
1/2"=1'-0"



SECTION 9
1/2"=1'-0"



DETAIL A
1/2"=1'-0"



SECTION 10
1/2"=1'-0"

BECKER
structural engineers, inc.

75 York Street
Portland, ME 04101-4701
info@beckerstructural.com
Tel 207-879-1838
Fax 207-879-1822
www.beckerstructural.com



Scott Simons Architects
75 York Street
Portland, Maine 04101
phone 207 772 4656
fax 207 828 4656

THIS DRAWING IS THE PROPERTY OF
SCOTT SIMONS ARCHITECTS
AND IS NOT TO BE COPIED OR
REPRODUCED IN PART OR WHOLE.

PROJECT
**WAYNFLETE ARTS CENTER
PHASE TWO**
ADDITION/ RENOVATION
360 SPRING STREET
PORTLAND, ME

TITLE
**FOUNDATION
SECTIONS AND
DETAILS**

STATUS: ISSUED FOR BIDDING

DATE: 08.07.2007	REVISION / DATE:
NOTED	
PROJECT NO. 2003-010030	
DRAWN BY: APP	
DWG NO.	2007© Scott Simons Architects