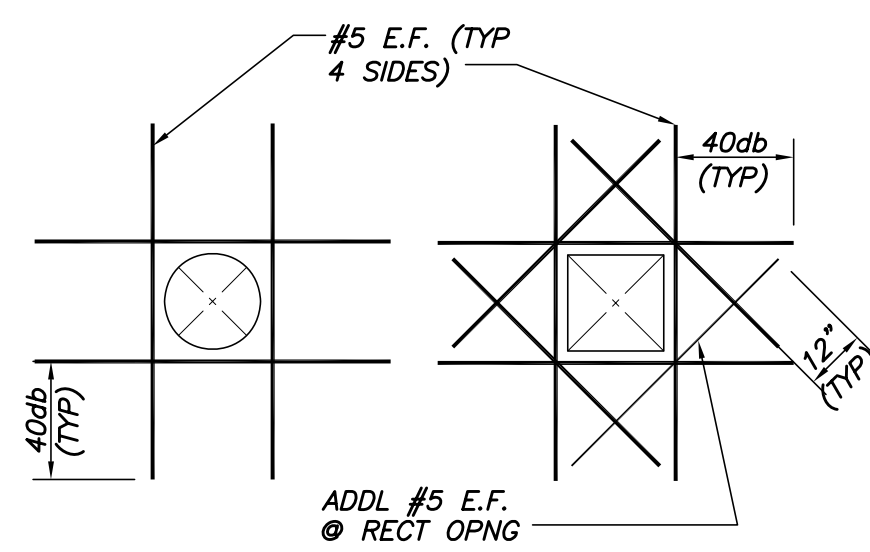
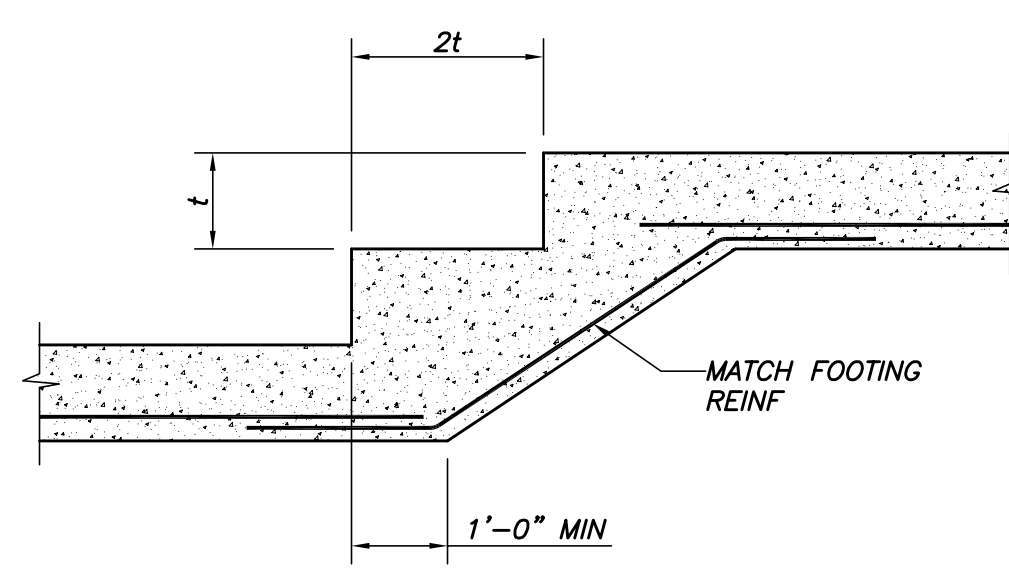


TYP WALL REINF DETAILS  
N.T.S.

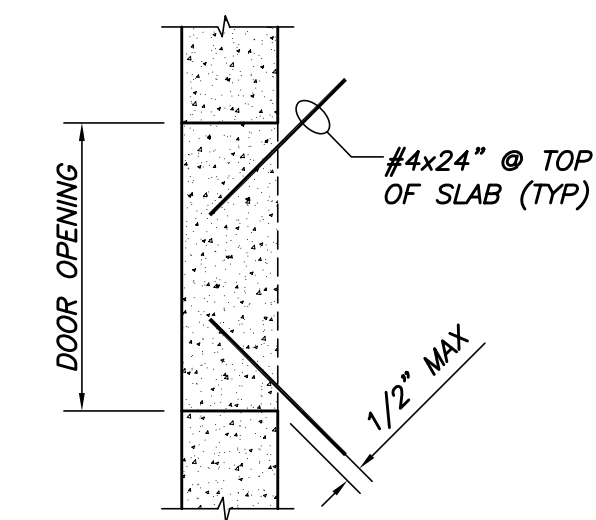


TYP OPENING IN WALL OR SLAB DETAIL  
N.T.S.

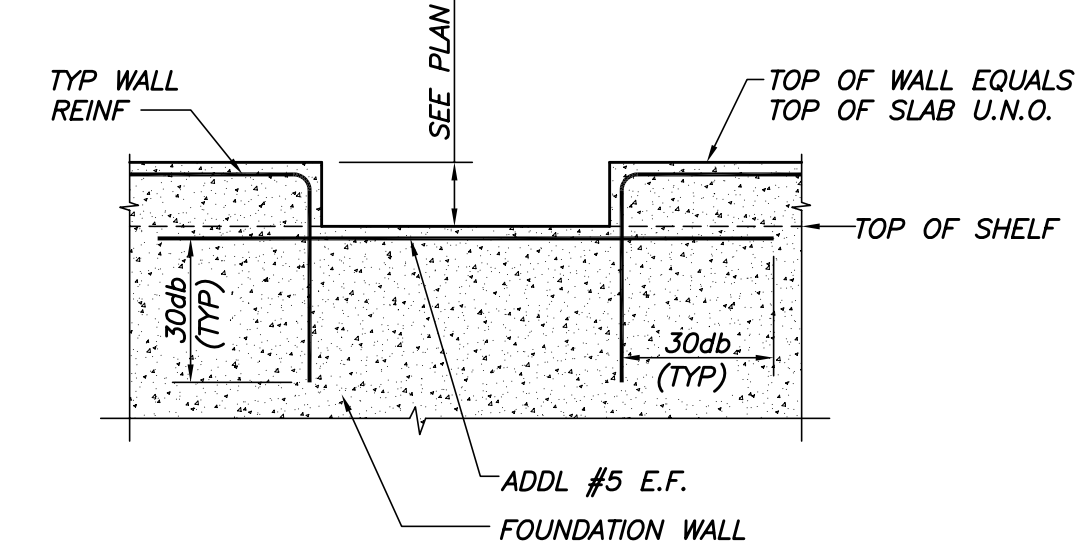


TYP STEP FOOTING DETAIL  
N.T.S. t = FOOTING THICKNESS

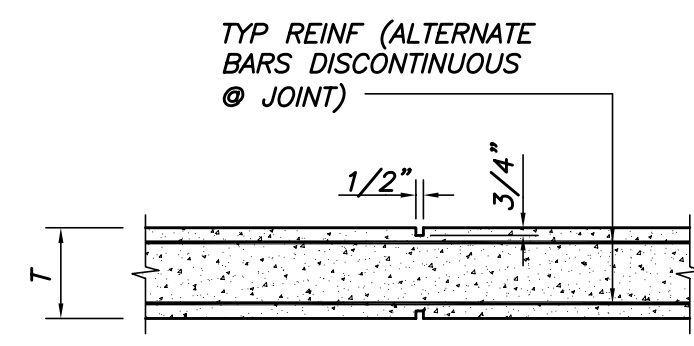
BAR SIZE	LAP LENGTH	
	3,000 PSI	4,000 PSI
#3	30"	24"
#4	36"	32"
#5	48"	42"
#6	56"	48"
#7	81"	72"
#8	93"	80"



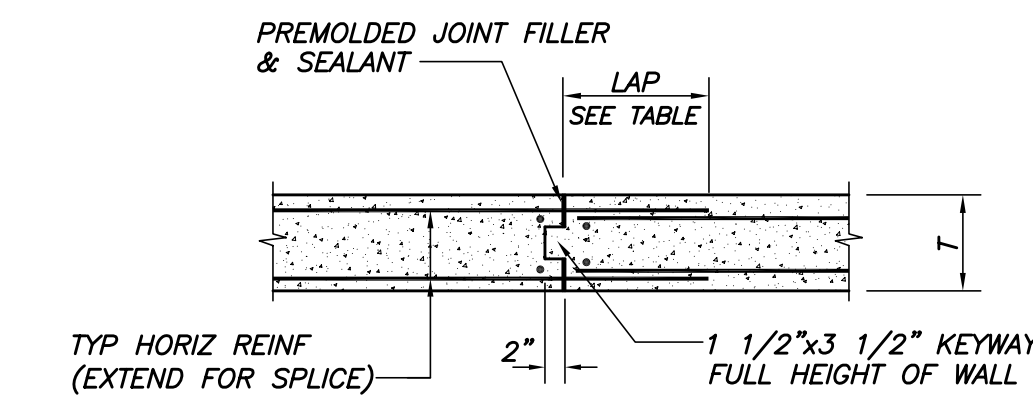
TYP SLAB CORNER DETAIL @ DOOR  
N.T.S.



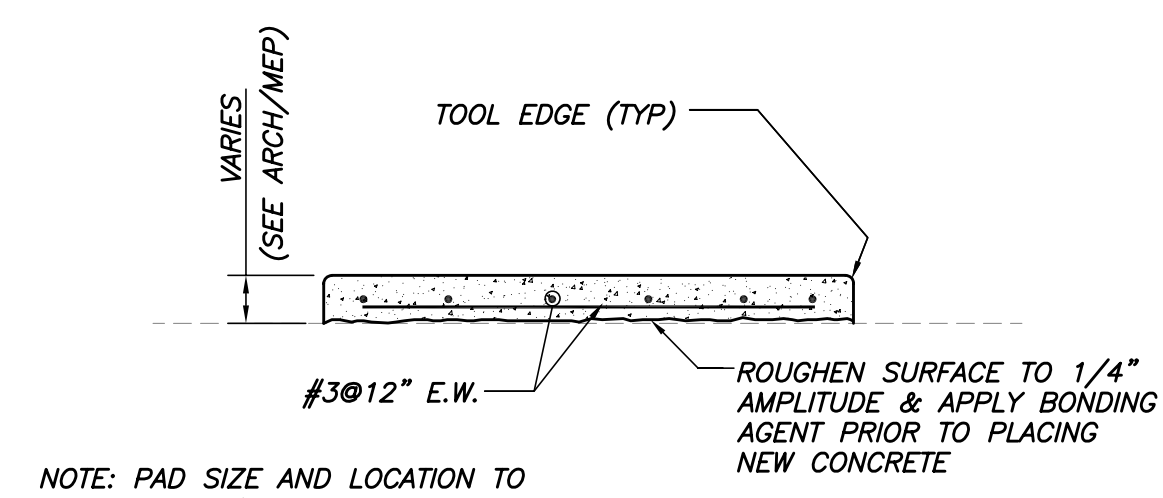
TYP WALL DEPRESSION DETAIL @ DOOR  
N.T.S.



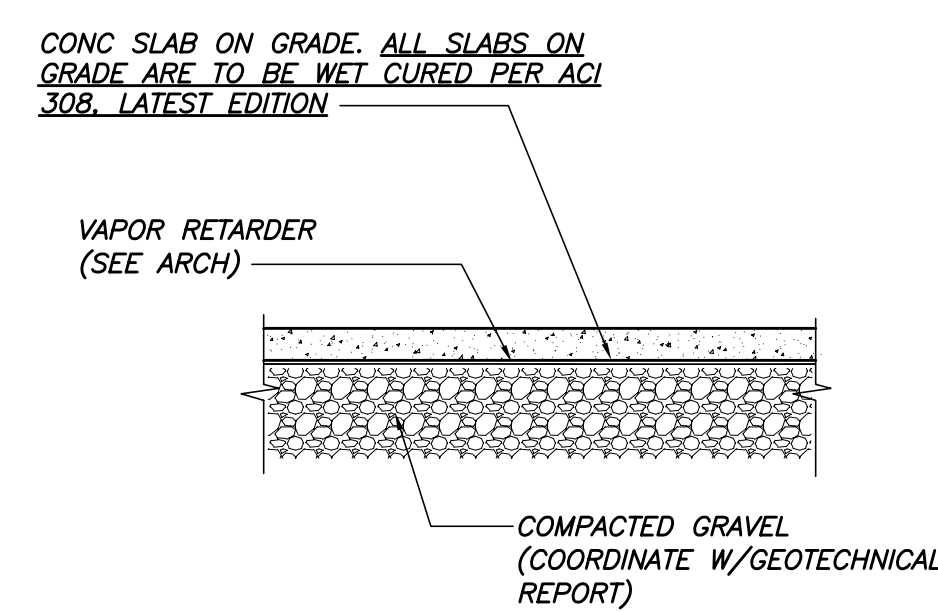
TYP CONTROL JOINT IN WALL  
N.T.S. t = WALL THICKNESS



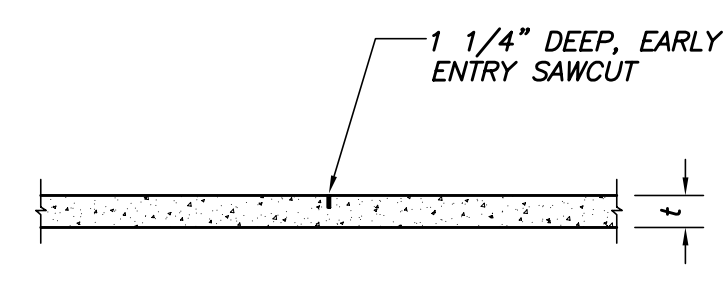
TYP CONSTRUCTION JOINT IN WALL  
N.T.S. t = WALL THICKNESS



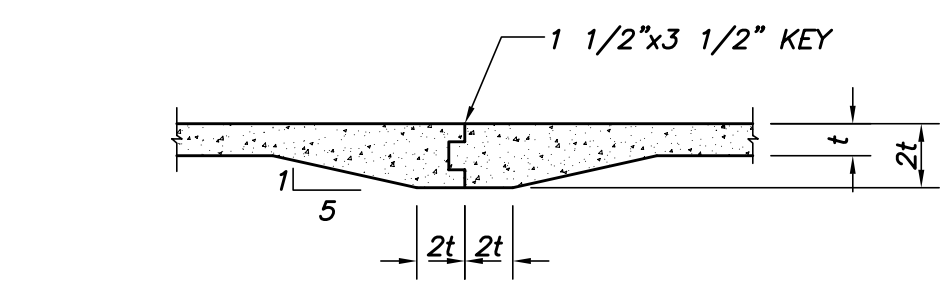
TYP EQUIPMENT HOUSEKEEPING PAD DETAIL  
N.T.S.



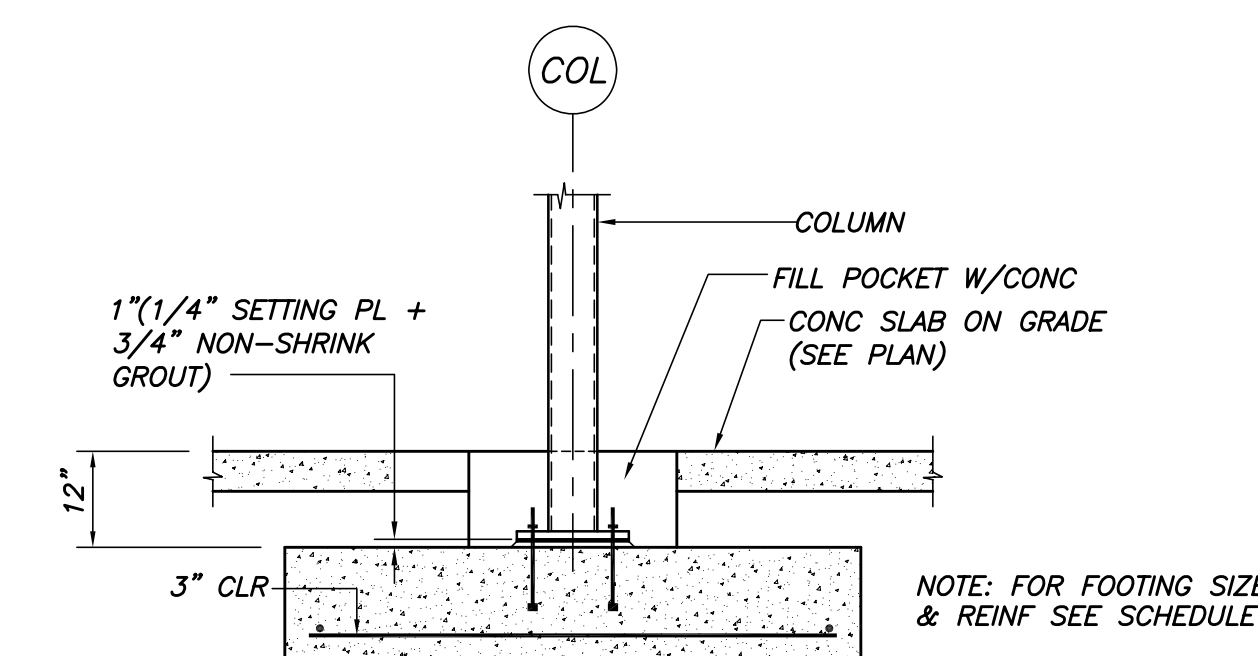
TYP SLAB DETAIL  
N.T.S.



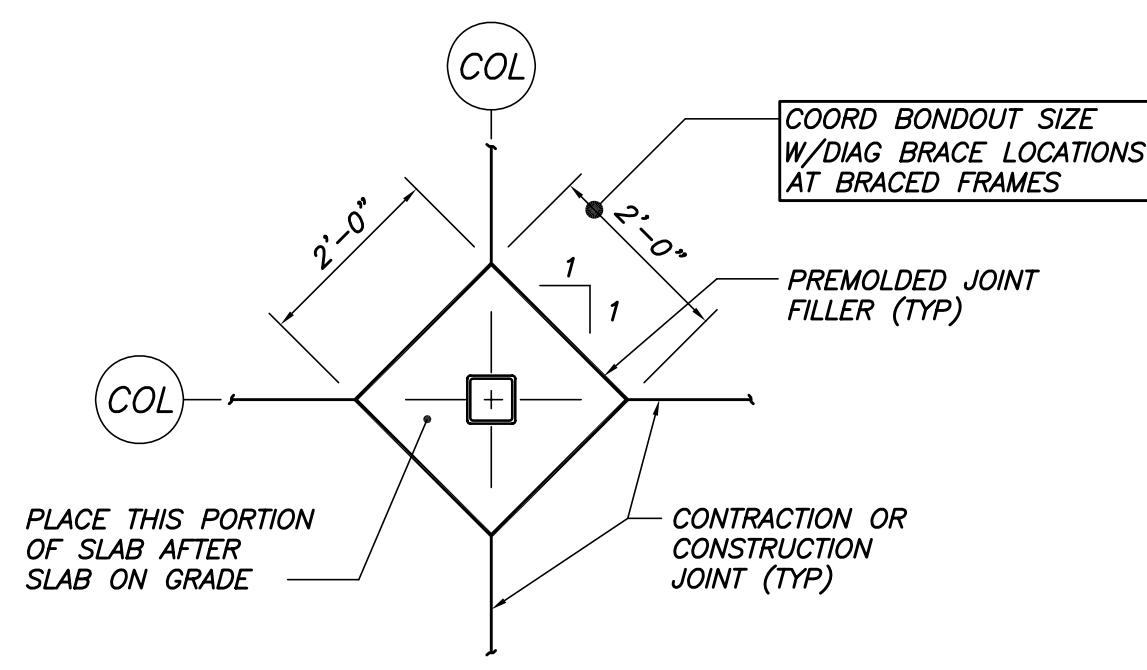
TYP SLAB ON GRADE CONTRACTION JOINT DETAIL  
N.T.S. t = SLAB THICKNESS



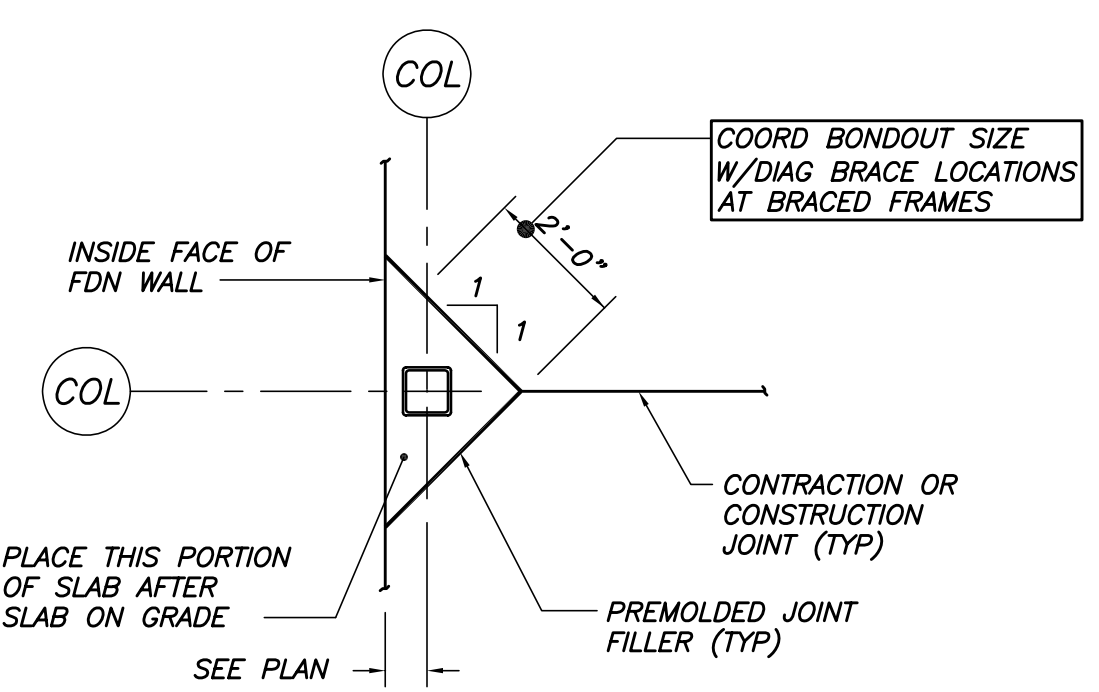
TYP SLAB ON GRADE CONST JOINT DETAIL  
N.T.S. t = SLAB THICKNESS



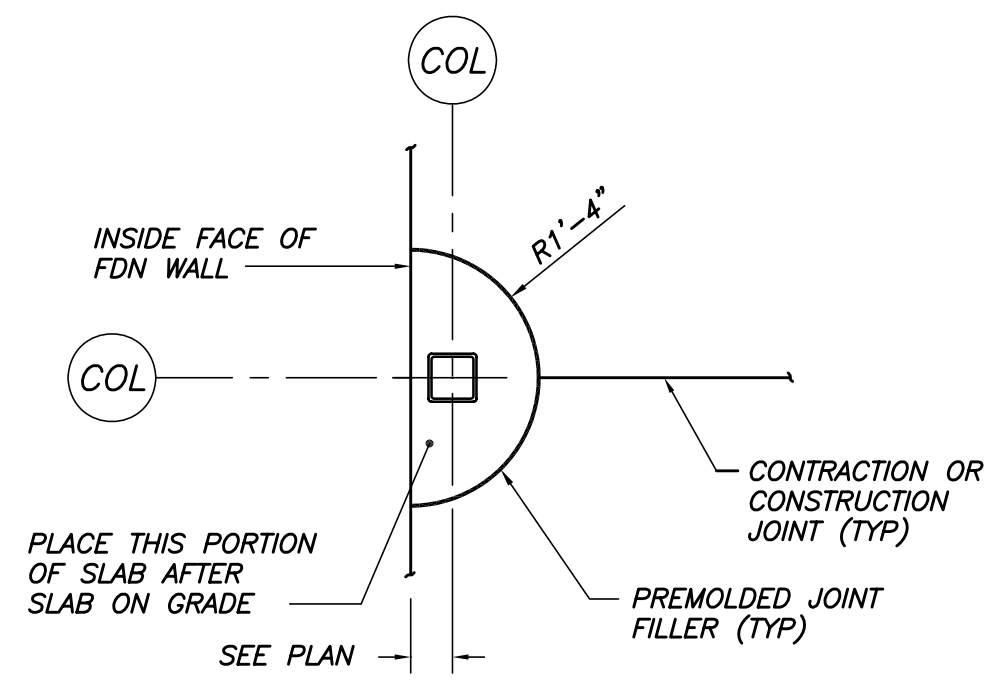
TYP INTERIOR FOOTING DETAIL U.N.O.  
N.T.S. (t = SLAB THICKNESS)



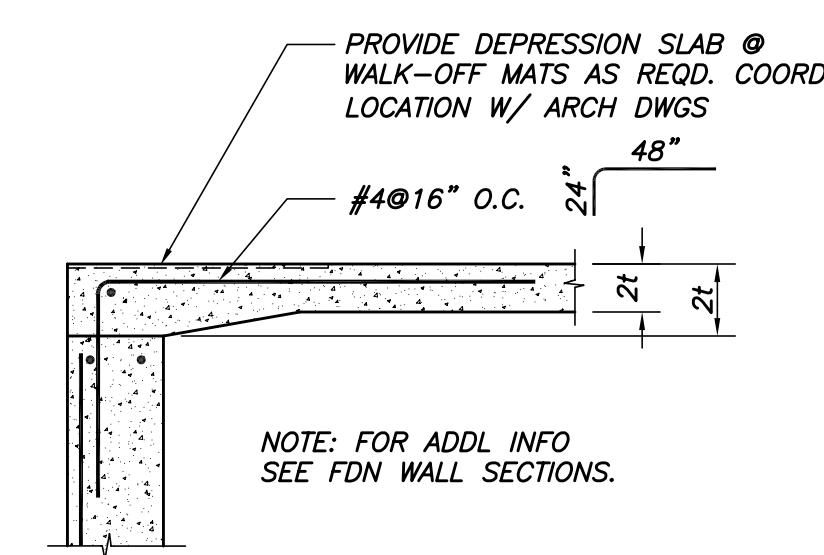
TYP INT COLUMN ISOLATION JOINT DETAIL  
N.T.S.



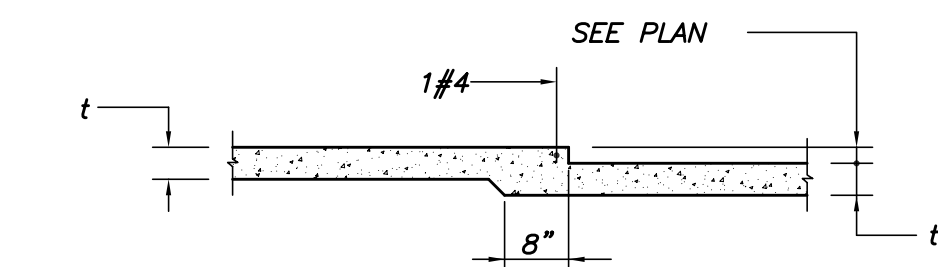
TYP EXT COLUMN ISOLATION JOINT DETAIL  
N.T.S.



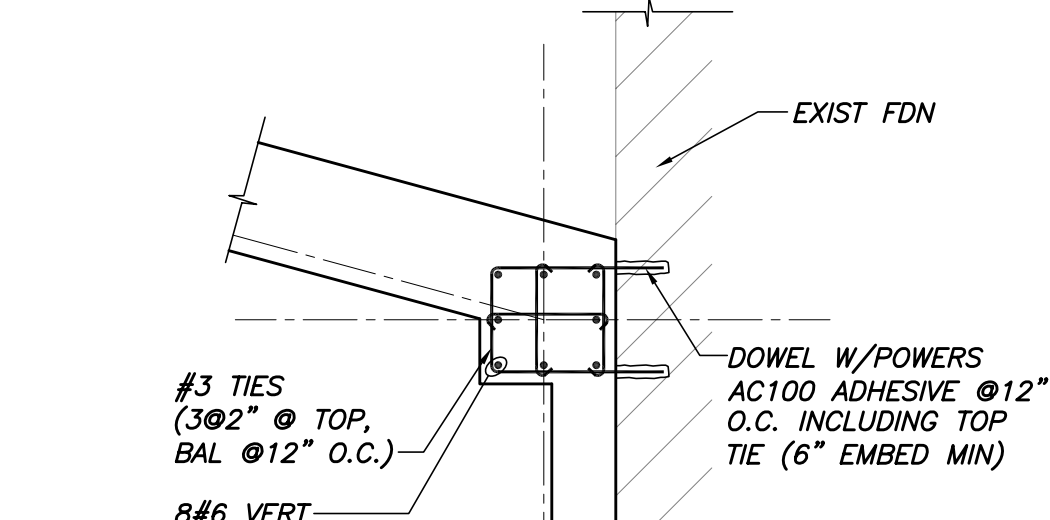
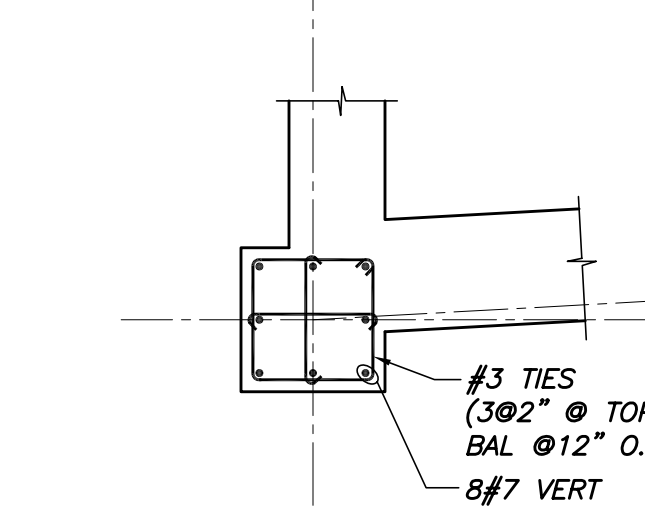
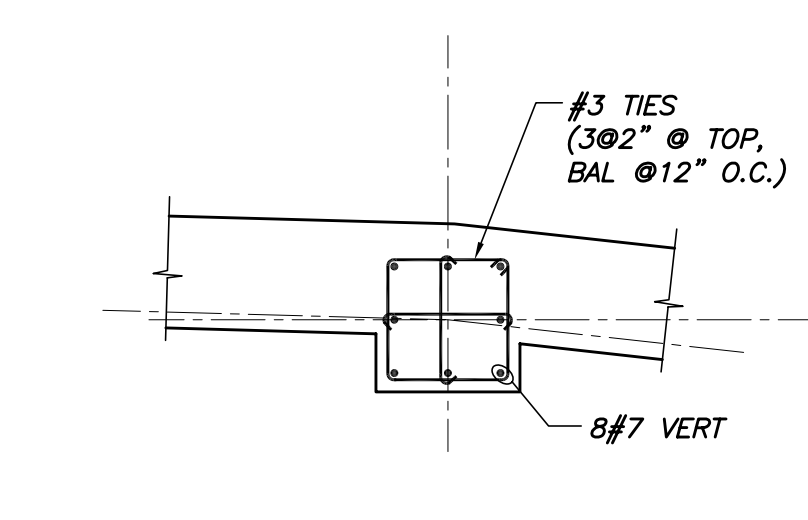
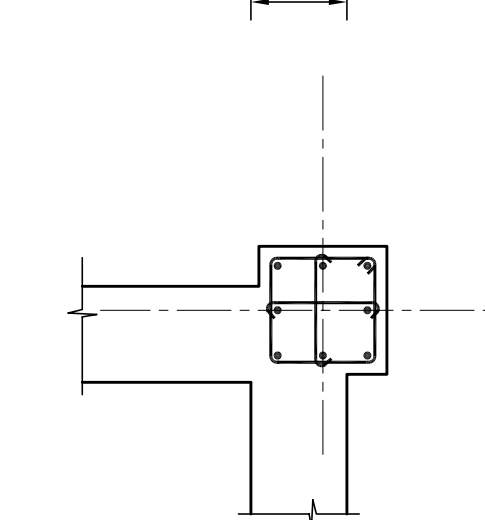
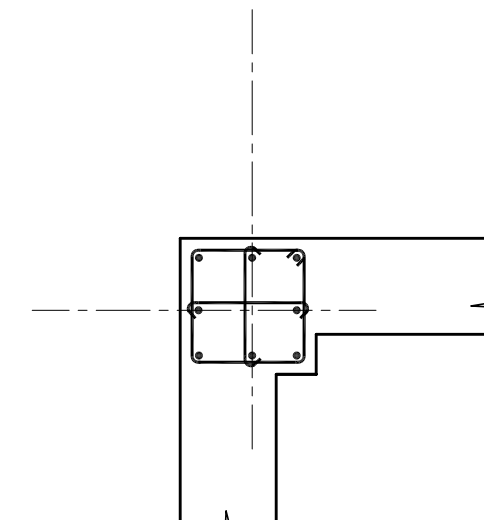
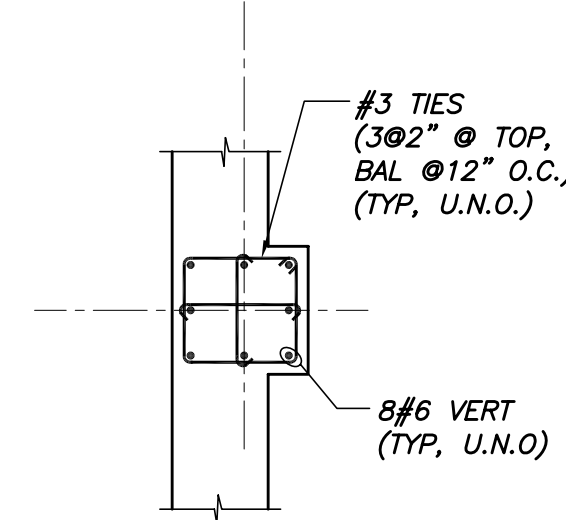
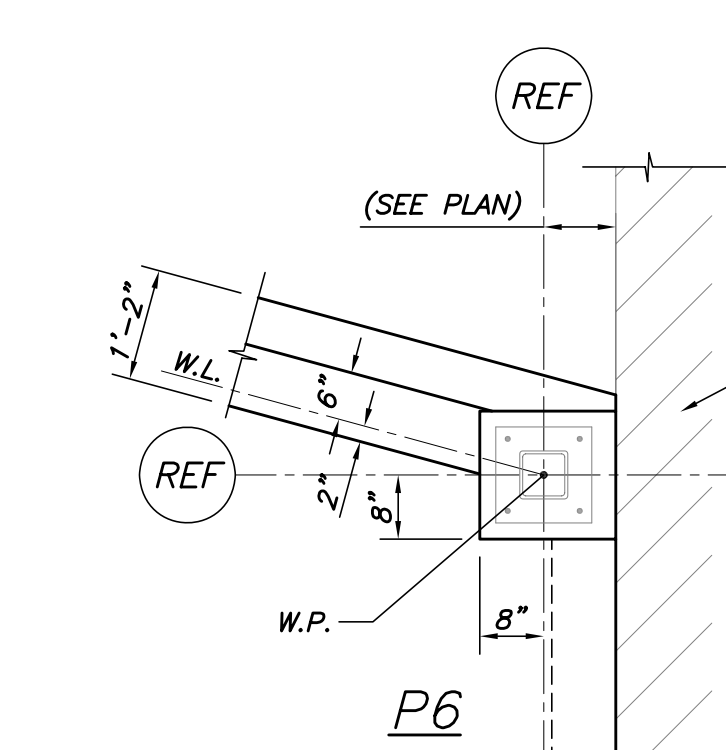
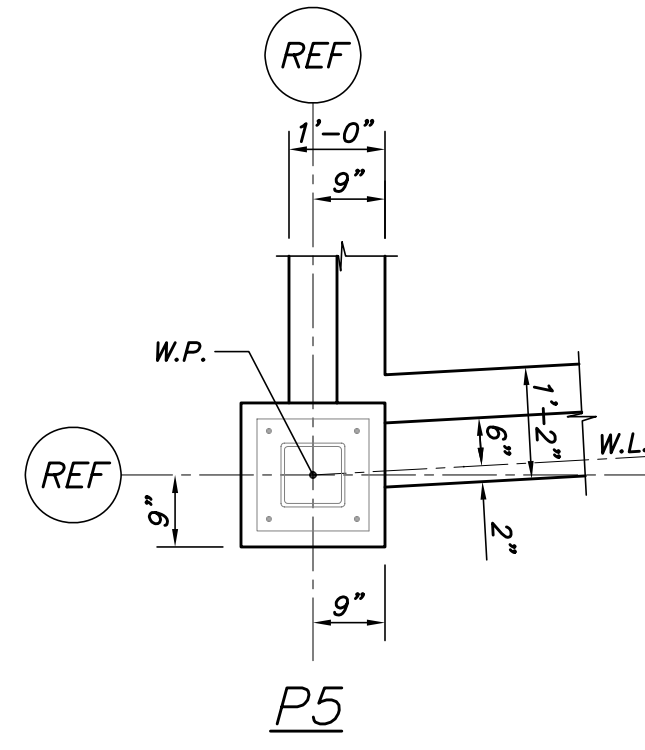
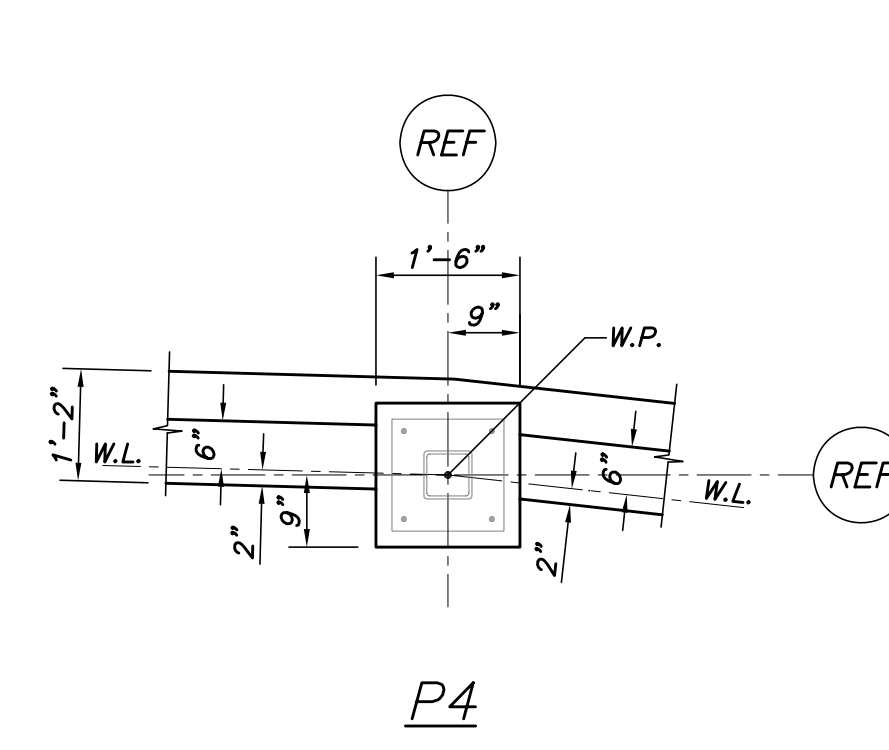
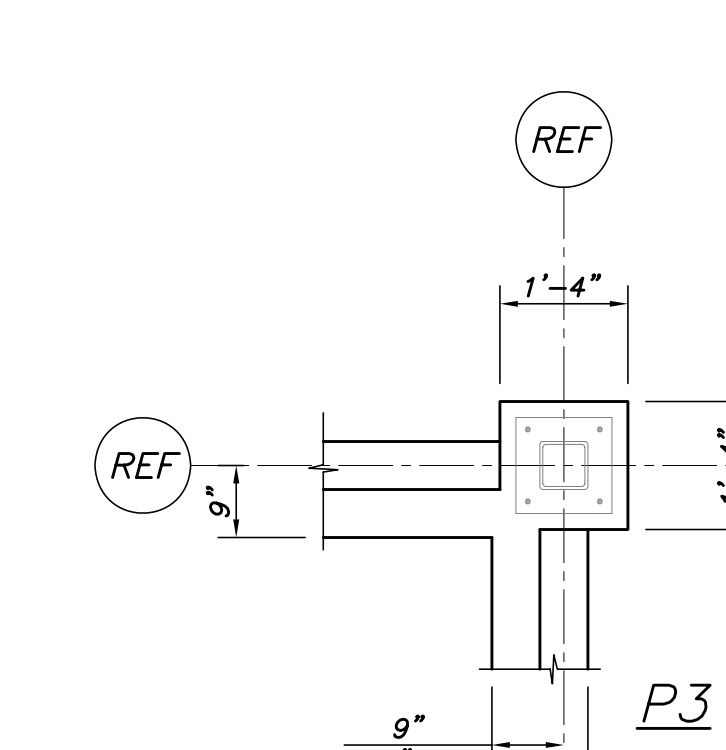
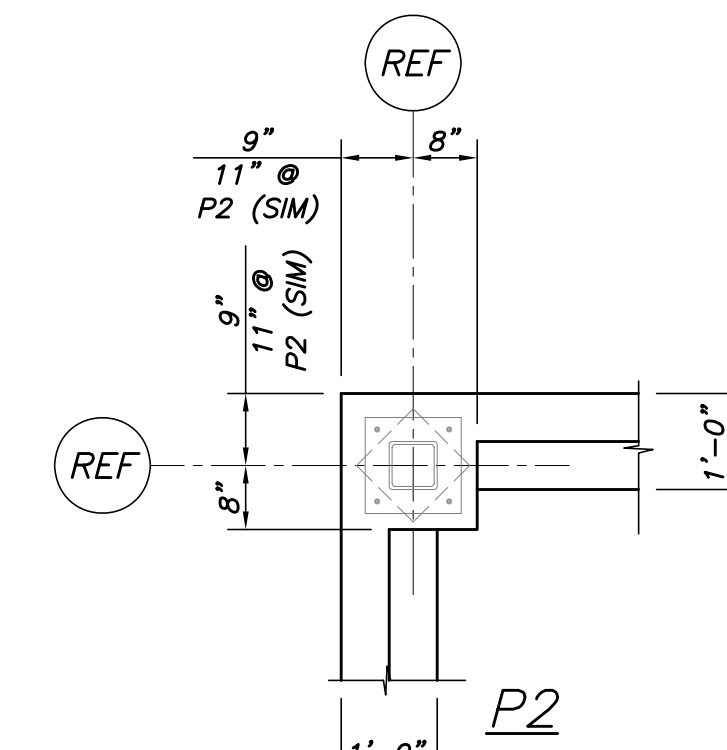
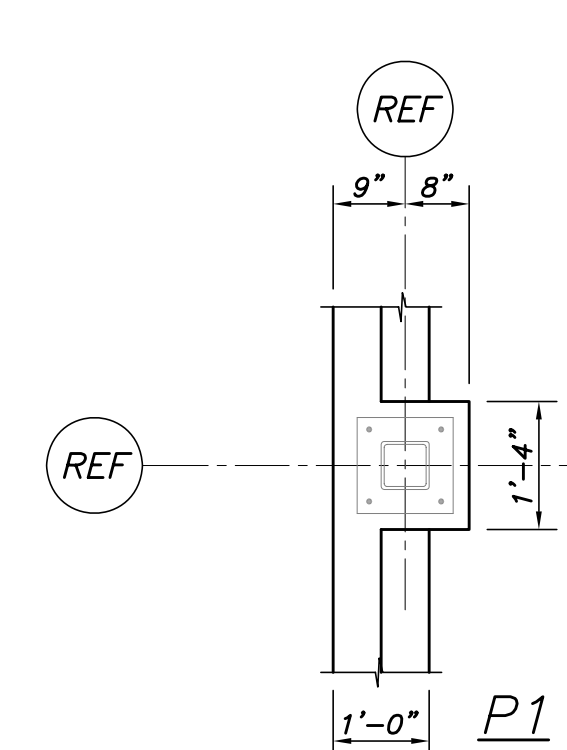
ALT EXT COLUMN ISOLATION JOINT DETAIL  
N.T.S.



TYP SLAB DETAIL @ DOOR  
N.T.S. t = SLAB THICKNESS



TYP SLAB ON GRADE DEPRESSION DETAIL  
N.T.S. t = SLAB THICKNESS



PIER DETAILS  
1/2"=1'-0"

**BECKER**  
structural engineers, inc.  
75 York Street  
Portland, ME 04101-4701  
info@beckerstructural.com

Tel 207-879-1838  
Fax 207-879-1822  
www.beckerstructural.com

**SSA**  
Scott Simons Architects  
75 York Street  
Portland, Maine 04101  
phone 207 772 4656  
fax 207 828 4656

THIS DRAWING IS THE PROPERTY OF  
SCOTT SIMONS ARCHITECTS  
AND IS NOT TO BE COPIED OR  
REPRODUCED IN PART OR WHOLE.

PROJECT  
**WAYNFLETE ARTS CENTER  
PHASE TWO**  
ADDITION/ RENOVATION  
360 SPRING STREET  
PORTLAND, ME

TITLE  
**TYPICAL CONCRETE  
SECTIONS AND  
DETAILS**

STATUS: ISSUED FOR BIDDING

DATE: 08.07.2007	REVISION /DATE:
NOTED	
PROJECT NO. 2003-0104/00	
DRAWN BY: APP	2007© Scott Simons Architects
DWG NO.	

**S2.1**