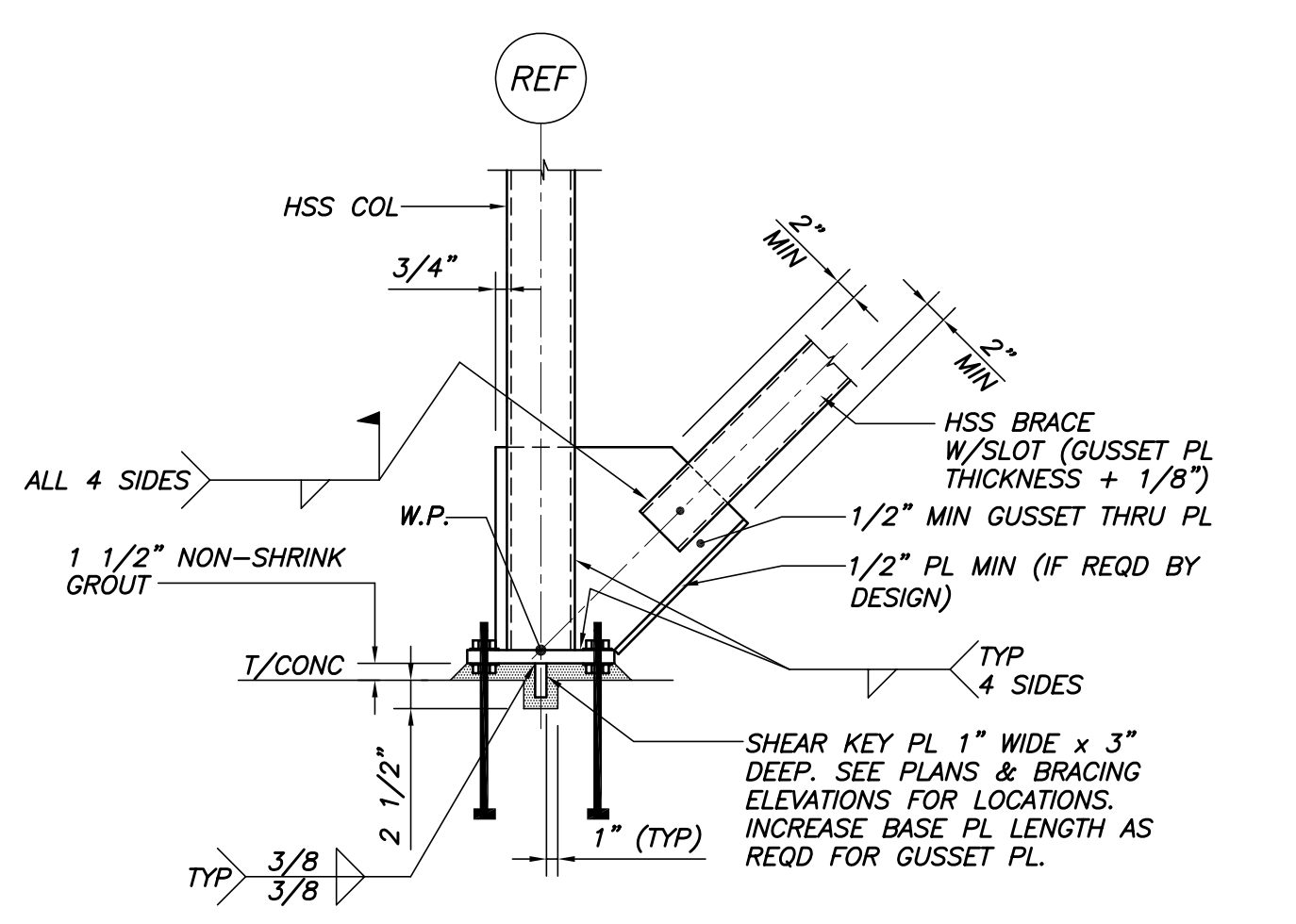
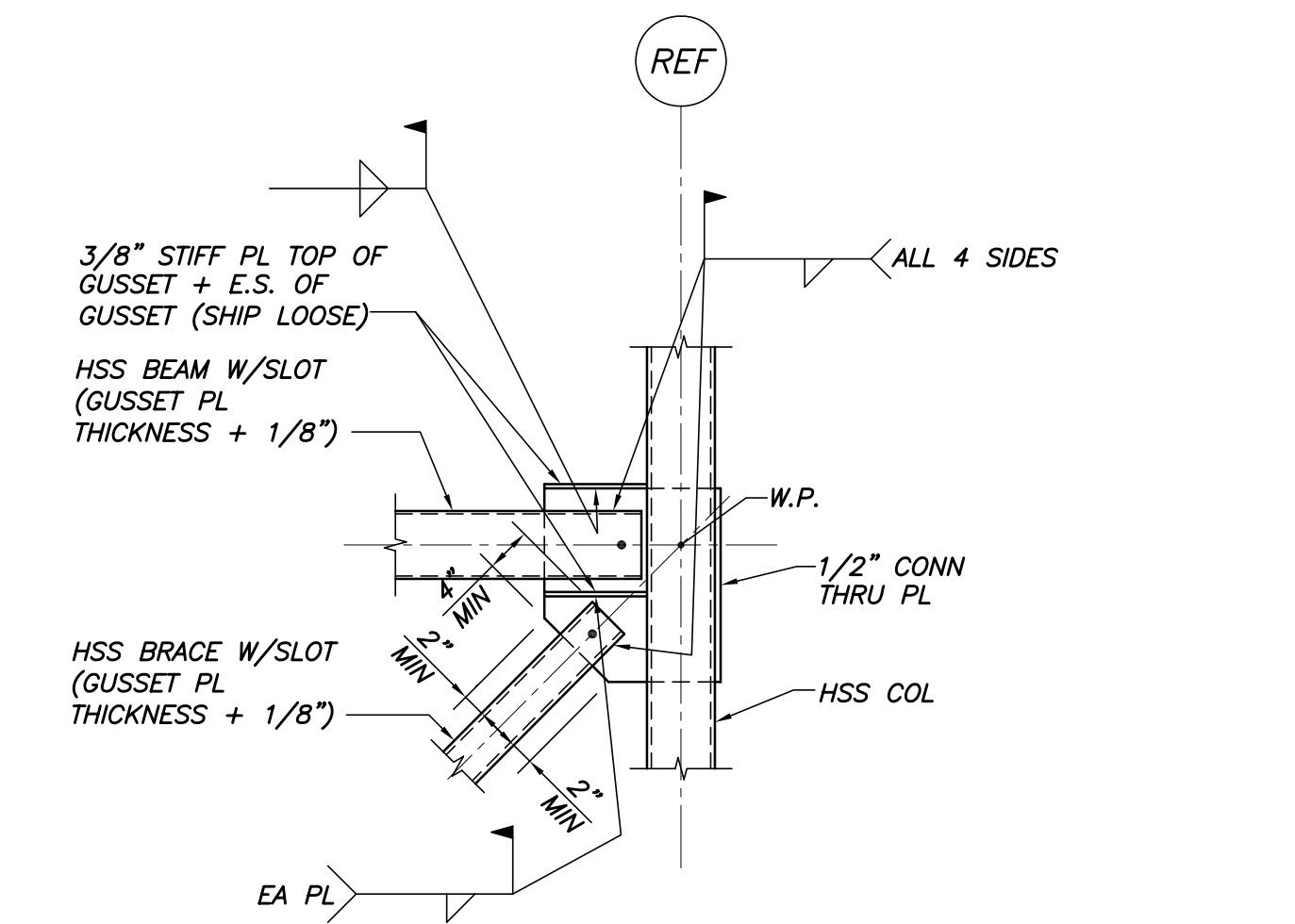


BRACED FRAME ELEVATIONS
1/8"=1'-0"

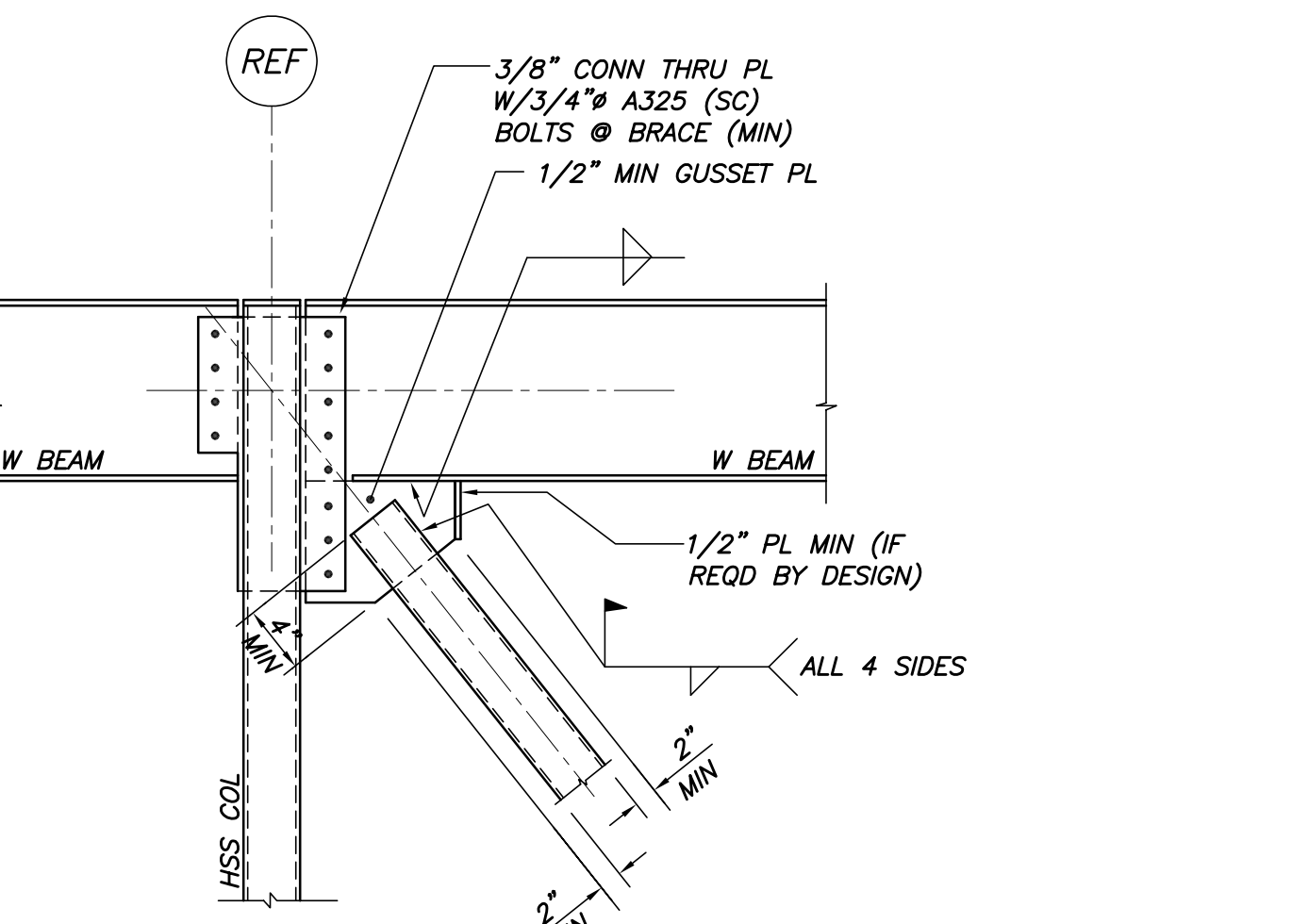
- NOTES:**
- LOADS INDICATED ON BRACED FRAME ELEVATIONS ARE UNFACTORED LOADS AND MAY ACT IN TENSION OR COMPRESSION.
 - LOADS INDICATED HAVE BEEN GENERATED USING R=3. CONNECTIONS DO NOT REQUIRE ADDITIONAL OVERSTRENGTH FACTORS.
 - CONNECTION DESIGN CALCULATIONS SHALL BE SUBMITTED FOR REVIEW PER SPECIFICATIONS AND SHALL BE STAMPED BY A STRUCTURAL ENGINEER LICENSED IN THE STATE OF MAINE AND SHALL INCLUDE THE FOLLOWING:
A. GEOMETRY NECESSARY FOR UNIFORM FORCE METHOD CALCULATIONS.
B. ALL APPLICABLE FAILURE MODE CHECKS.
 - CONNECTIONS SHALL BE DESIGNED TO NOT INDUCE MOMENT INTO BEAMS AND COLUMNS.



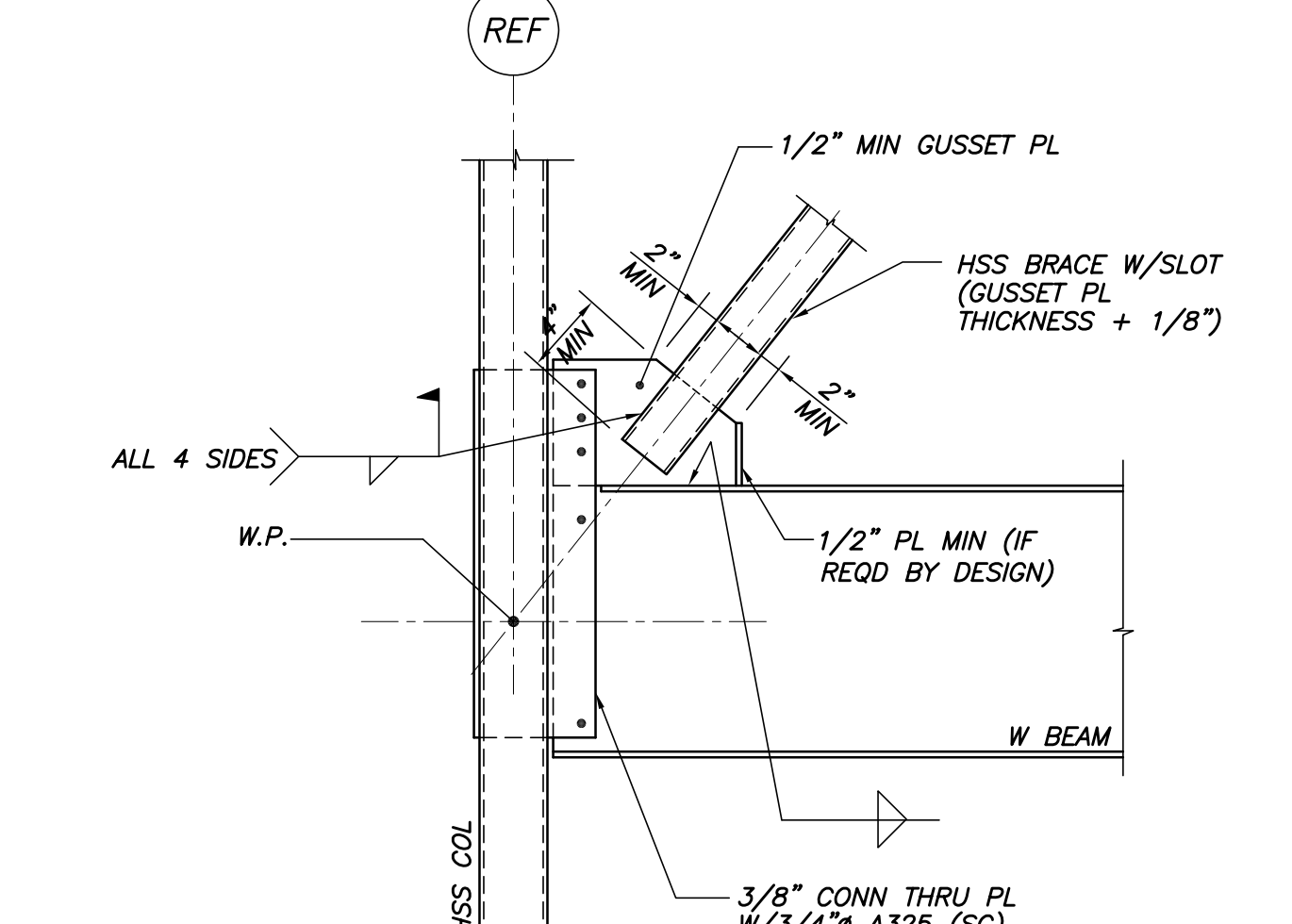
DETAIL S1.6
3/4"=1'-0"



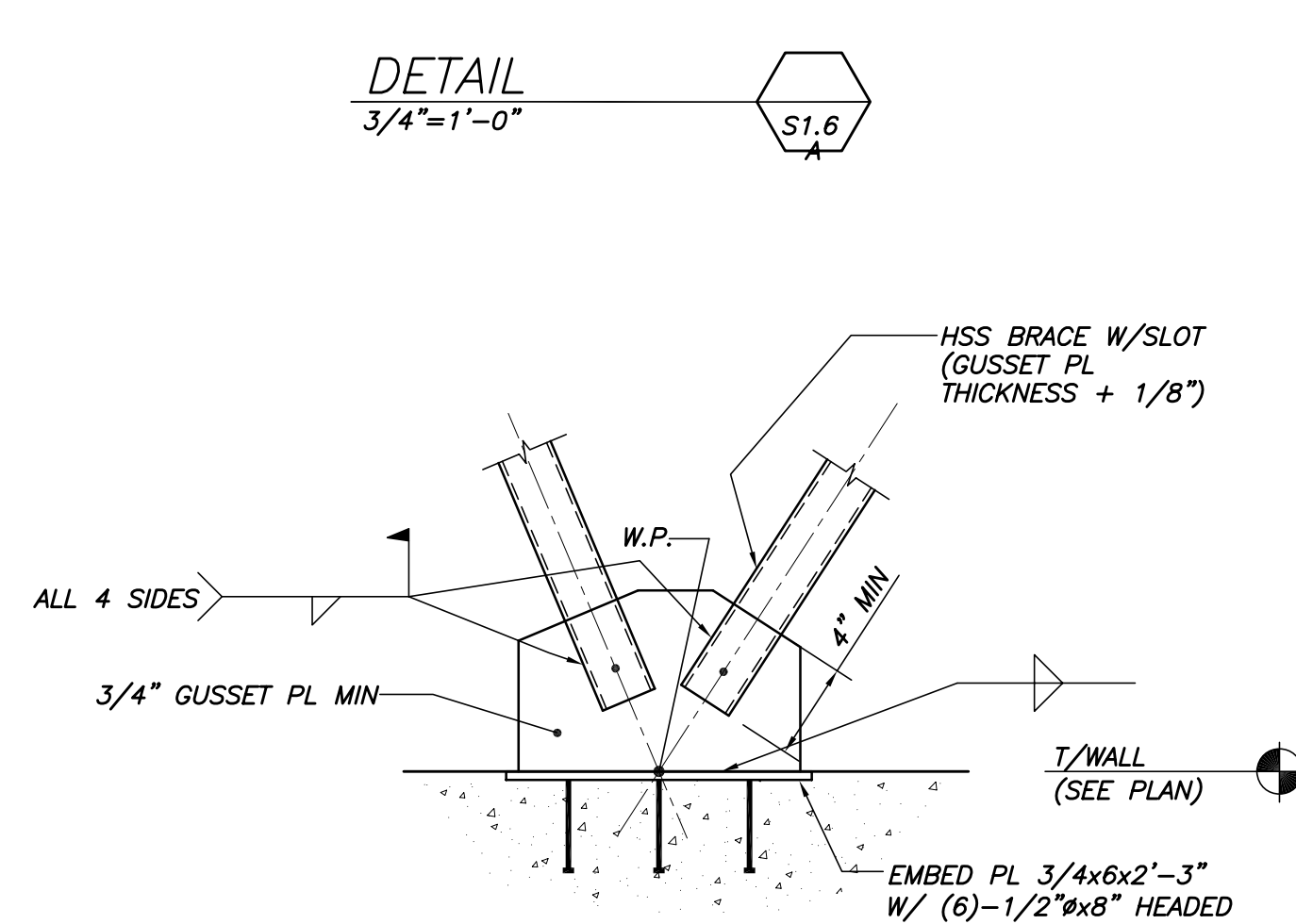
DETAIL S1.6 (B)
3/4"=1'-0"



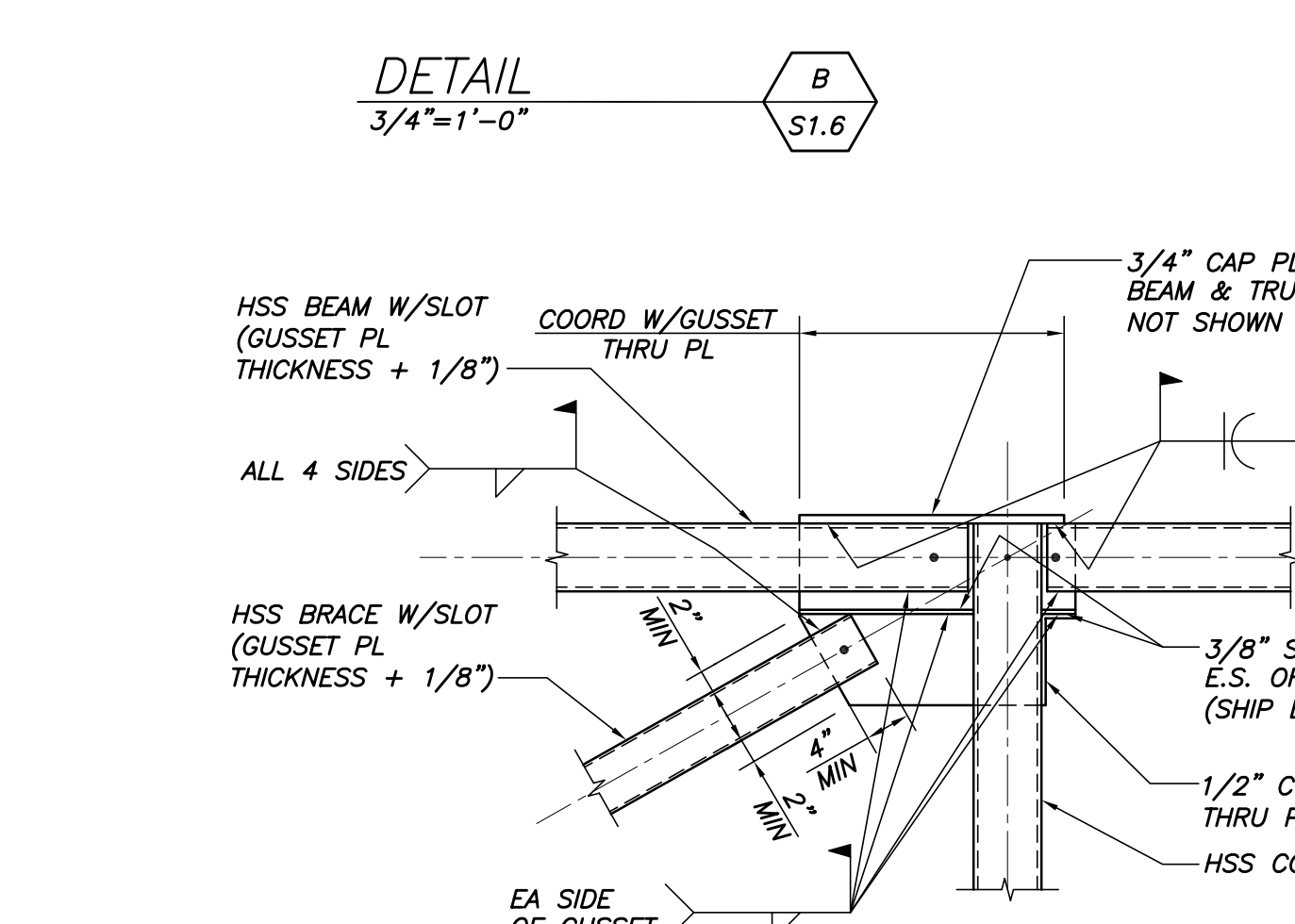
DETAIL S1.6 (C)
3/4"=1'-0"



DETAIL S1.6 (D)
3/4"=1'-0"



DETAIL S1.6 (E)
3/4"=1'-0"



DETAIL S1.6 (F)
3/4"=1'-0"

BECKER
structural engineers, inc.

75 York Street
Portland, ME 04101-4701
info@beckerstructural.com

Tel 207-879-1838
Fax 207-879-1822
www.beckerstructural.com



75 York Street
Portland, Maine 04101
phone 207 772 4656
fax 207 828 4656

THIS DRAWING IS THE PROPERTY OF SCOTT SIMONS ARCHITECTS AND IS NOT TO BE COPIED OR REPRODUCED IN PART OR WHOLE.

PROJECT
WAYNFLETE ARTS CENTER PHASE TWO

ADDITION/ RENOVATION
360 SPRING STREET
PORTLAND, ME

TITLE
BRACING ELEVATIONS AND DETAILS

STATUS: ISSUED FOR BIDDING

DATE: 09.07.2007	REVISION /DATE:
NOTED	
PROJECT NO. 2003-010400	
DRAWN BY: APP	
DWG NO.	2007© Scott Simons Architects