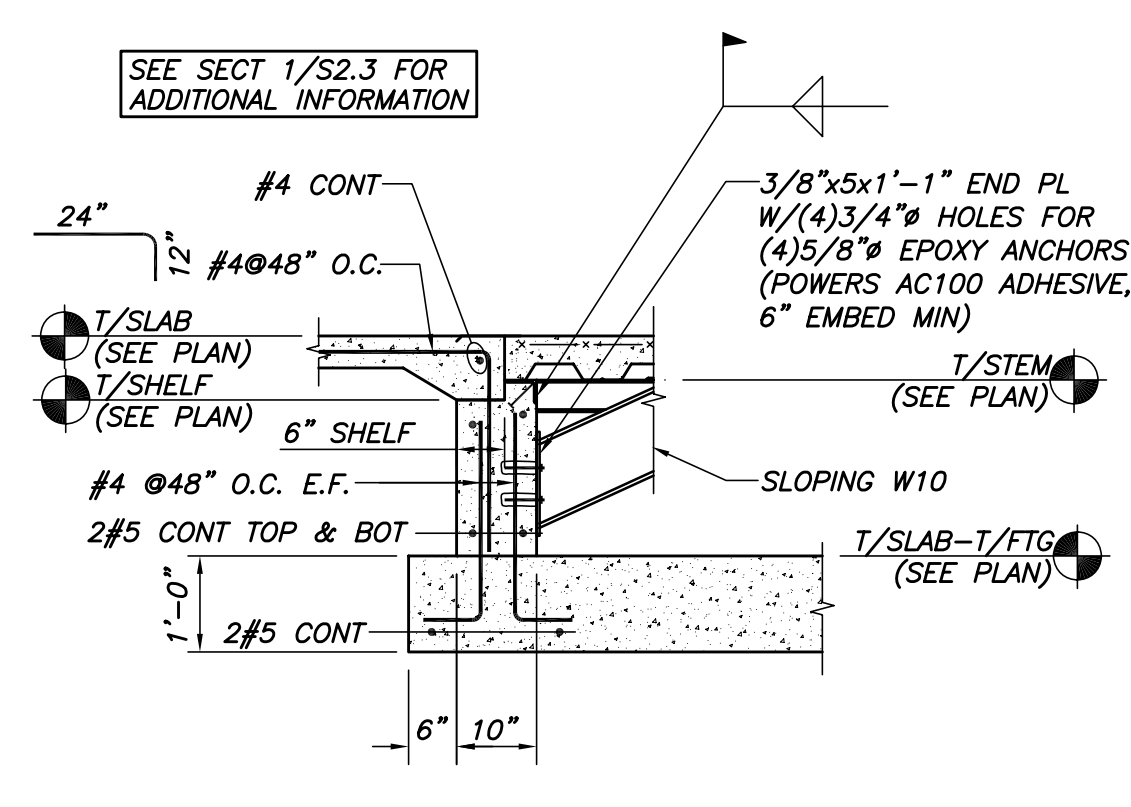
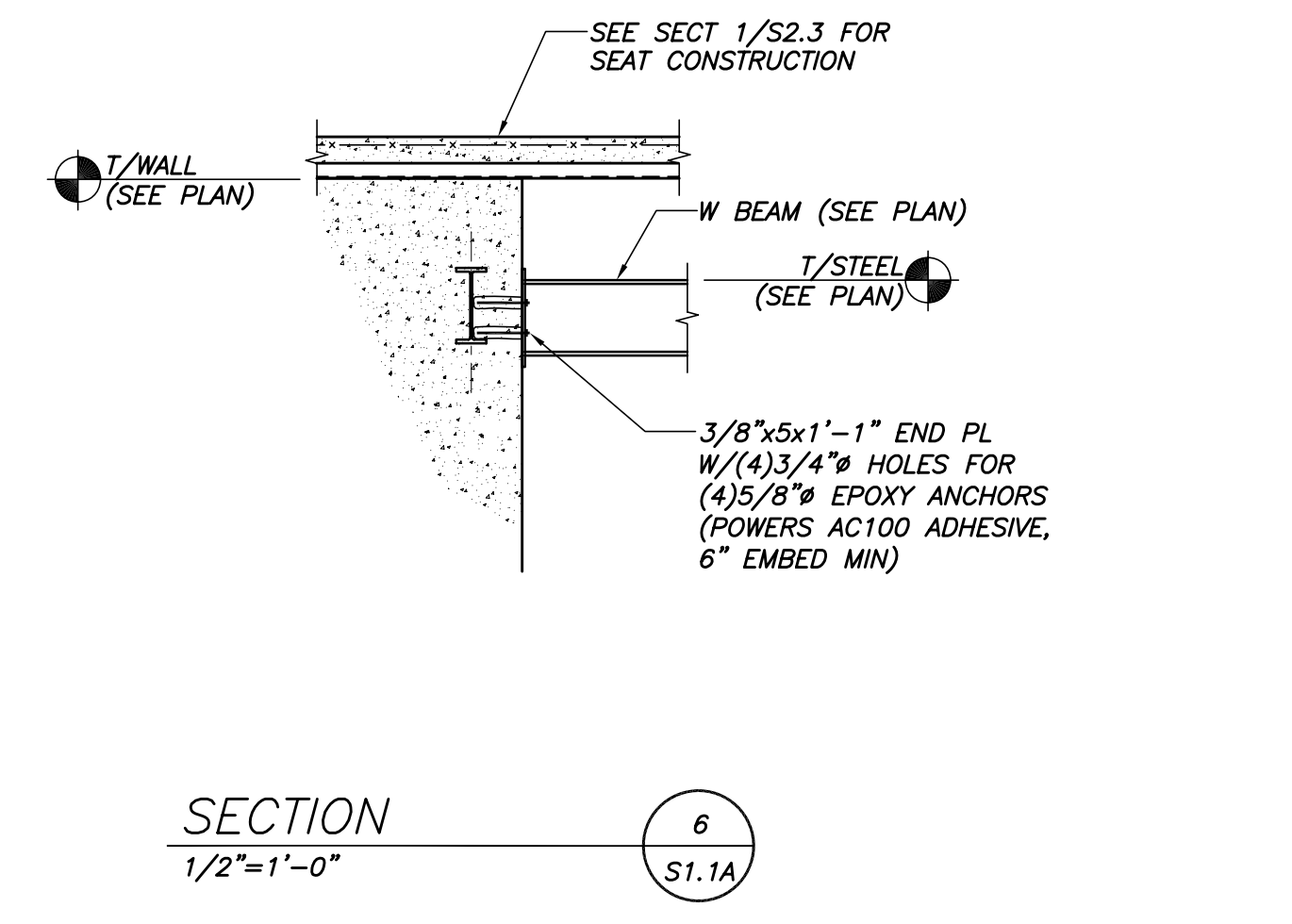
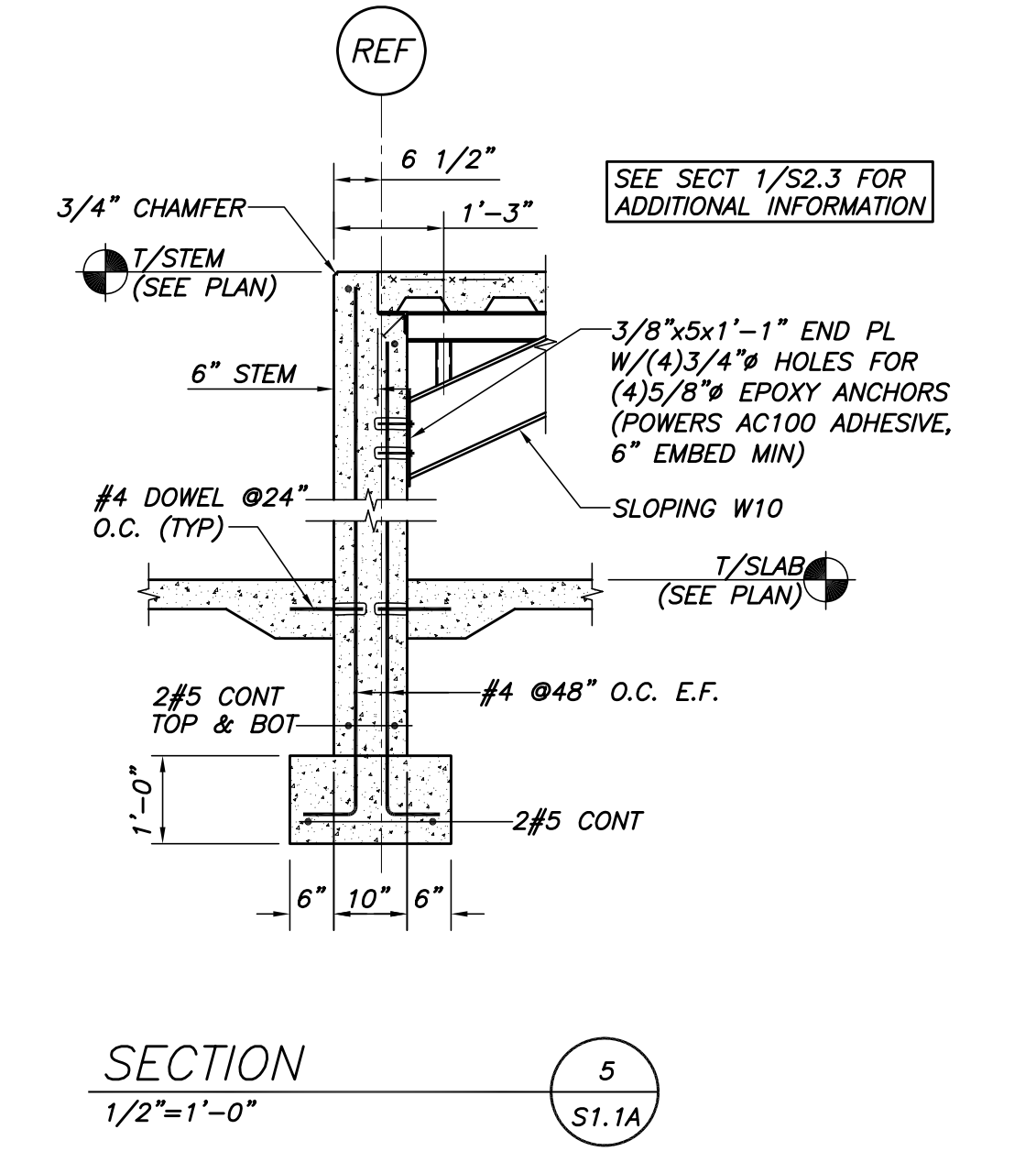
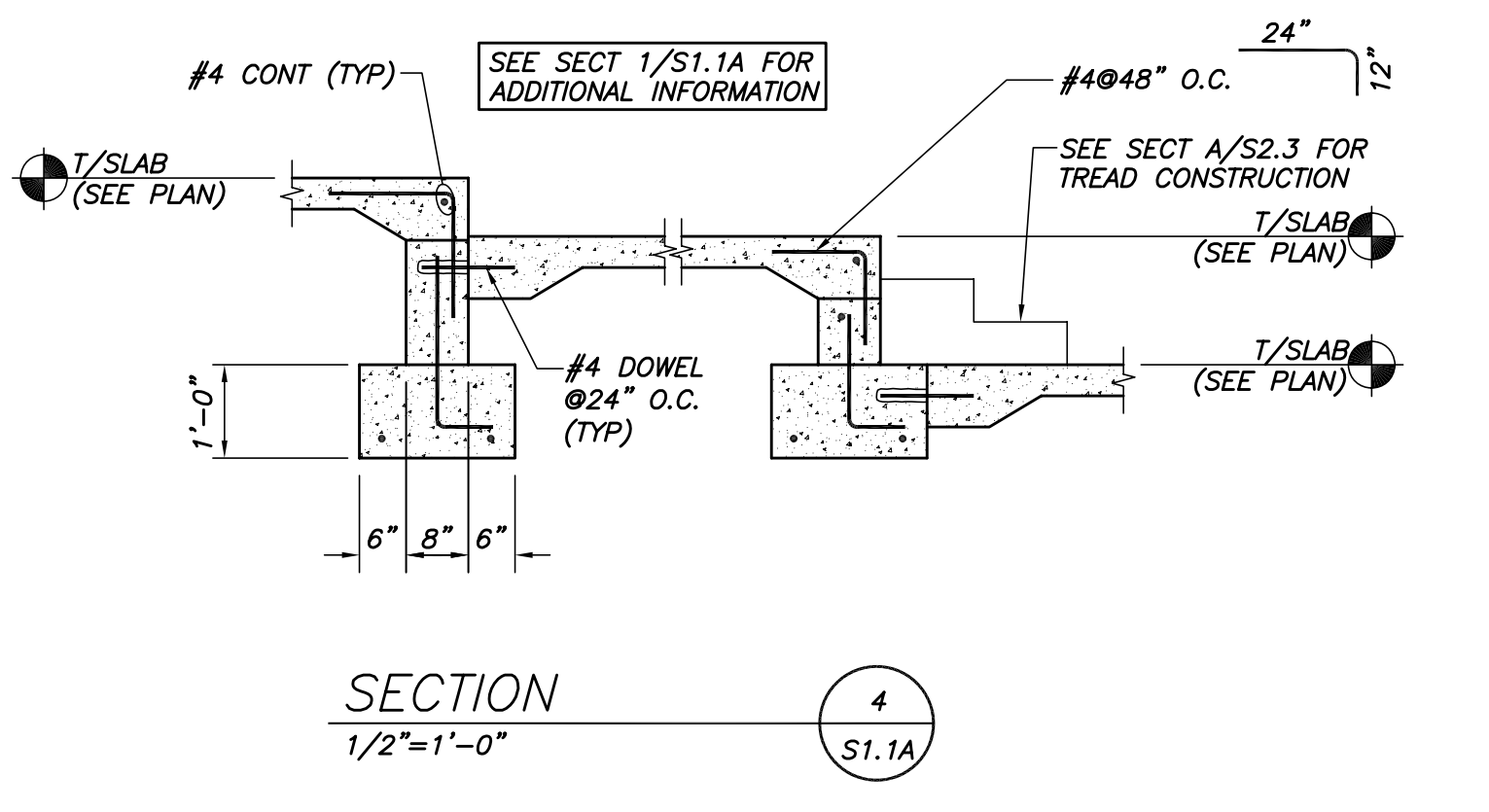
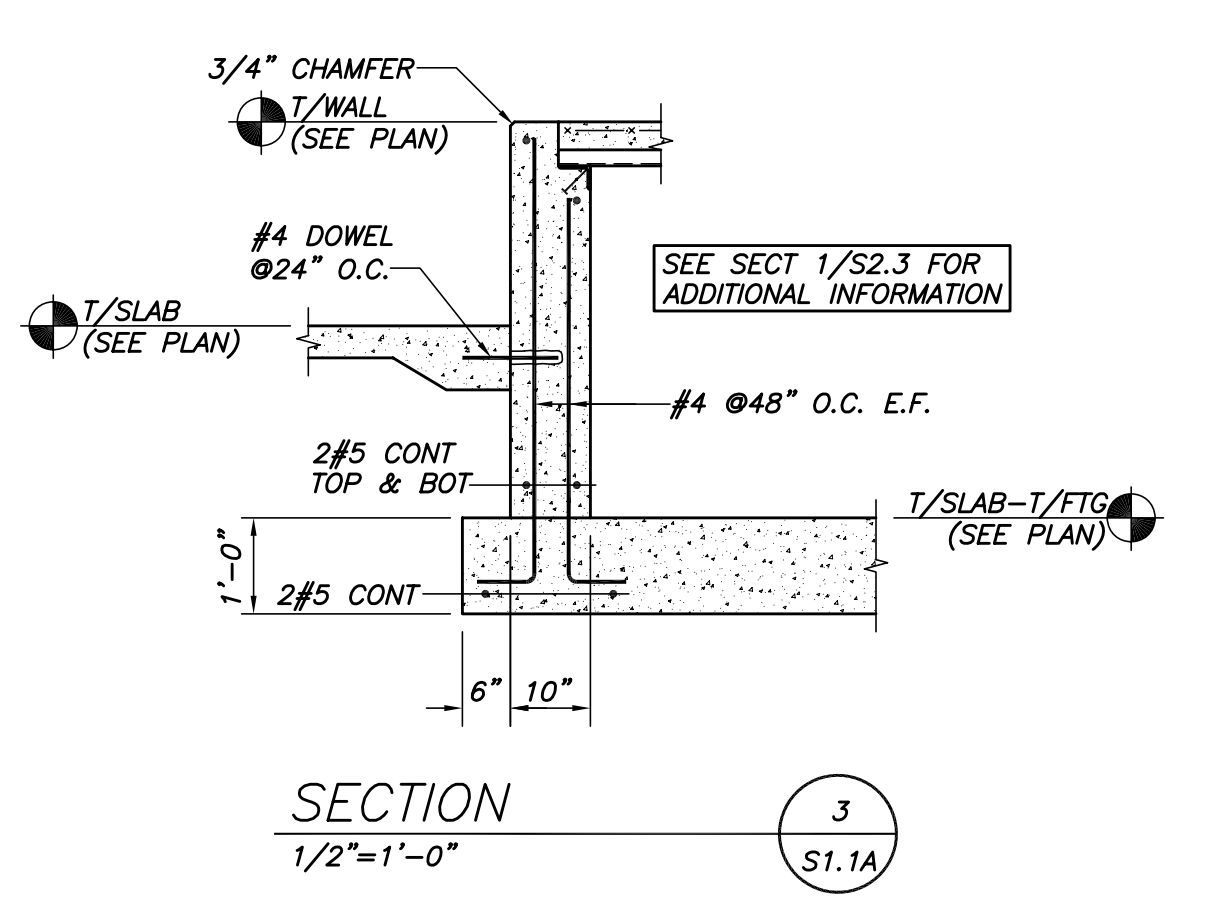
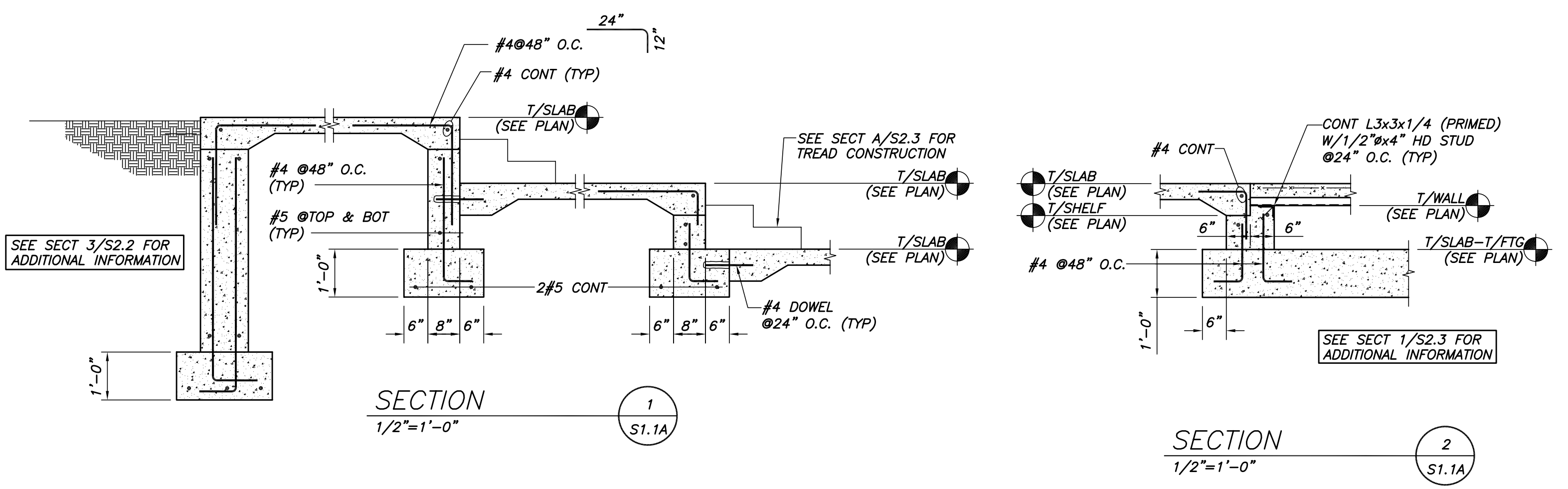


ENLARGED STAGE AREA PART FDN PLAN
1/4"=1'-0"

- NOTES:
 1. SEE PLAN FOR TOP OF SLAB ELEV.
 2. (6x-xy) INDICATES TOP OF FOOTING ELEVATION.
 3. TOP OF PIER ELEV 126'-10" U.N.O.
 4. TOP OF WALL ELEV 127'-6" U.N.O.
 5. TOP OF SHELF ELEV 126'-10" U.N.O.



BECKER
structural engineers, inc.

75 York Street
Portland, ME 04101-4701
info@beckerstructural.com

Tel 207-879-1838
Fax 207-879-1822
www.beckerstructural.com



Scott Simons Architects
75 York Street
Portland, Maine 04101
phone 207 772 4656
fax 207 828 4656

THIS DRAWING IS THE PROPERTY OF SCOTT SIMONS ARCHITECTS AND IS NOT TO BE COPIED OR REPRODUCED IN PART OR WHOLE.

PROJECT

WAYNFLEETE ARTS CENTER
PHASE TWO

■ ADDITION/ RENOVATION
360 SPRING STREET
PORTLAND, ME

TITLE
**ENLARGED
FOUNDATION PLAN**

STATUS: ISSUED FOR BIDDING

DATE: 08.07.2007 REVISION /DATE:

NOTED
PROJECT NO. 2003-010030
DRAWN BY: APP
DWG NO. 2007-02 Scott Simons Architects

S1.1A