

TYP	DESCRIPTION	MANUFACTURER	MODEL NUMBER	LUMS	NOTES
A	LINEAR RECESSED W/ DIMMING BALLAST	FAHLETT - SERIES 2	53-XX-2785/120	2-1830/95/5/RS	(1) (2)
A1	LINEAR RECESSED W/ DIMMING BALLAST	FAHLETT - SERIES 2	52-XX-2785/120	2-1830/95/5/RS	(1) (2)
B	INTERIOR SCENE THEATER	EUREKA	3770W-SC-RW-SC	1-50W PAR20	(2)
C	2' x 2' RECESSED TRIGGER	COLUMBIA	4P522-317W-F5M12125-EB1120	3-1817/95/5/RS	(2)
C1	2' x 2' RECESSED TRIGGER W/ P-FLUOR FRAME	COLUMBIA	4P522-317W-F5M12125-EB1120	3-1817/95/5/RS	(2) (6)
D	4' x 2-LAMP STIMMELL 18 FLUORESCENT FIXTURE	COOPER (SHRE-ULTRIM) BATT BACKUP/MOTION DET	SLC-59-2732 (120VAC)	2-28W/6/95/5/RS/K	(2)
G	8' LENSED RECESSED 42W CFL	PRESCOLITE	CFR32HB-STR02H	1-42W TT	(1)
GE	8' LENSED RECESSED 24W CFL WITH DIMMER SWITCHES	PRESCOLITE	CFR32HB-STR02H	1-42W TT	(1)
G1	8' DOWNLIGHT NOMINUS RECESSED LENS	PRESCOLITE	INC90-STR02-PC-FL	1-42W A-21	(1)
G1E	8' RECESSED NOMINUS EMERGENCY FIXTURE	DUAL LITE - EXT	EXT-122-EM-K WCF-FL-824	1-8W HALOGEN	(1)
H2	2-LAMP 18 FLOOR INDUSTRIAL	COLUMBIA	KL4-133-1B9-120	2-28W/6/95/5/RS	(2)
H3	3-LAMP 18 FLOOR INDUSTRIAL	COLUMBIA	KL4-133-3B9-120	3-28W/6/95/5/RS	(2)
H4	4-LAMP 18 FLOOR INDUSTRIAL	COLUMBIA	KL4-133-4B9-120	4-28W/6/95/5/RS	(2)
J	8' ROUND COLUMBER FURNITURE MOUNT	PRESCOLITE	1128-8L	1-50W PAR-38	(2)
J1	8' ROUND COLUMBER FURNITURE MOUNT	PRESCOLITE	1145-8L	1-50W A-21	(2)
L	EXTERIOR POST LIGHT	ARCHITECTURAL AREA LIGHTING	SPECTRA SPINDLE-100M-L10	1-100W MH (MULTI-TAP BALLAST)	WITH 1/2" ROUND POLE TO MATCH
M	TRACK HEADS	LIGHTOLIER	US20 20	1-50W PAR20 W/	(1)
N	ARCHITECTURAL WALL MOUNT 2 LAMP CFL	EUREKA	3169-MW-SC-TRC-CT128	2-39W-TT	(1)
N1	1-LAMP 18 FLUORESCENT UNDER WALL UP-LIGHT	FAHLETT - SERIES 5	SMW-X-118-SC-995-120-FF	1-28W/6/95/5/RS	(2)
P	4' x 2-LAMP FLOOR 18 GENUINE MOUNT STRIP FIXTURE	COLUMBIA	R4-233-8B-120	2-28W/6/95/5/RS	(2)
P1	4' x 3-LAMP FLOOR 18 GENUINE MOUNT STRIP FIXTURE	COLUMBIA	404-132-8B-120	1-28W/6/95/5/RS	(2)
Q	EXTERIOR WALL SCENE	SHAWER - FLOUNDER WEDGE	862-W-11M/120-120-61-C-10L	1-50W MH	(2)
S	STRAIGHTS	DEWNE LIGHTING	81110-40M/710	1-40W INCANDESCENT	(1)
T	50W - HIGH BAY 2-LAMP FLUORESCENT	COOPER (METALUX)	65-3475-W-120-EBT-SIF	2-50W-40	(1) (5)
V	WARM TONING T5 FLUORESCENT	TRU-LUX	181-145-24-48	1-14W T5	(1)
Z	AUTOMATIC LINEAR FLUORESCENT 150W & DIMMABLE BALLAST	FOCAL POINT MIDDLE 8	FPM-PL-1190-10-120-3-17-MH	1-14W T5-10	(1) (6) (11)
Z1	4' x 2-LAMP 18 INKRE RECESSED FLUORESCENT	FOCAL POINT MIDDLE 8	FPM-PL-1190-10-120-3-17-MH	1-14W T5-10	(1) (6) (11)
Z2	4' x 2-LAMP 18 INKRE RECESSED FLUORESCENT	ULTECONTROL, MO-66	LC-9-66X2B-98S-CM-ULC-18-120	2-28W/6/95/5/RS	(2) (13)
Z3	EXIT SIGN	SIRE-LITES	EST170L WMC	LED	(2) (13)
Z4	DISCREET LED BATTERY PACK WITH OUT HEADS	LIGHTLUMENS	2P1202/125-W-SI-7 W-720	WHITE	(3)
Z5	LOCAL EMERGENCY TIE BATTERY PACK WITH HEADS	LIGHTLUMENS	2P1202/125-W-SI-7 W-720	WHITE	(4)
Z6	REMOTE HEADS (1 OR 2) WITH BACK BOX	LIGHTLUMENS	EH450-414	18 WATT	(1) (4)

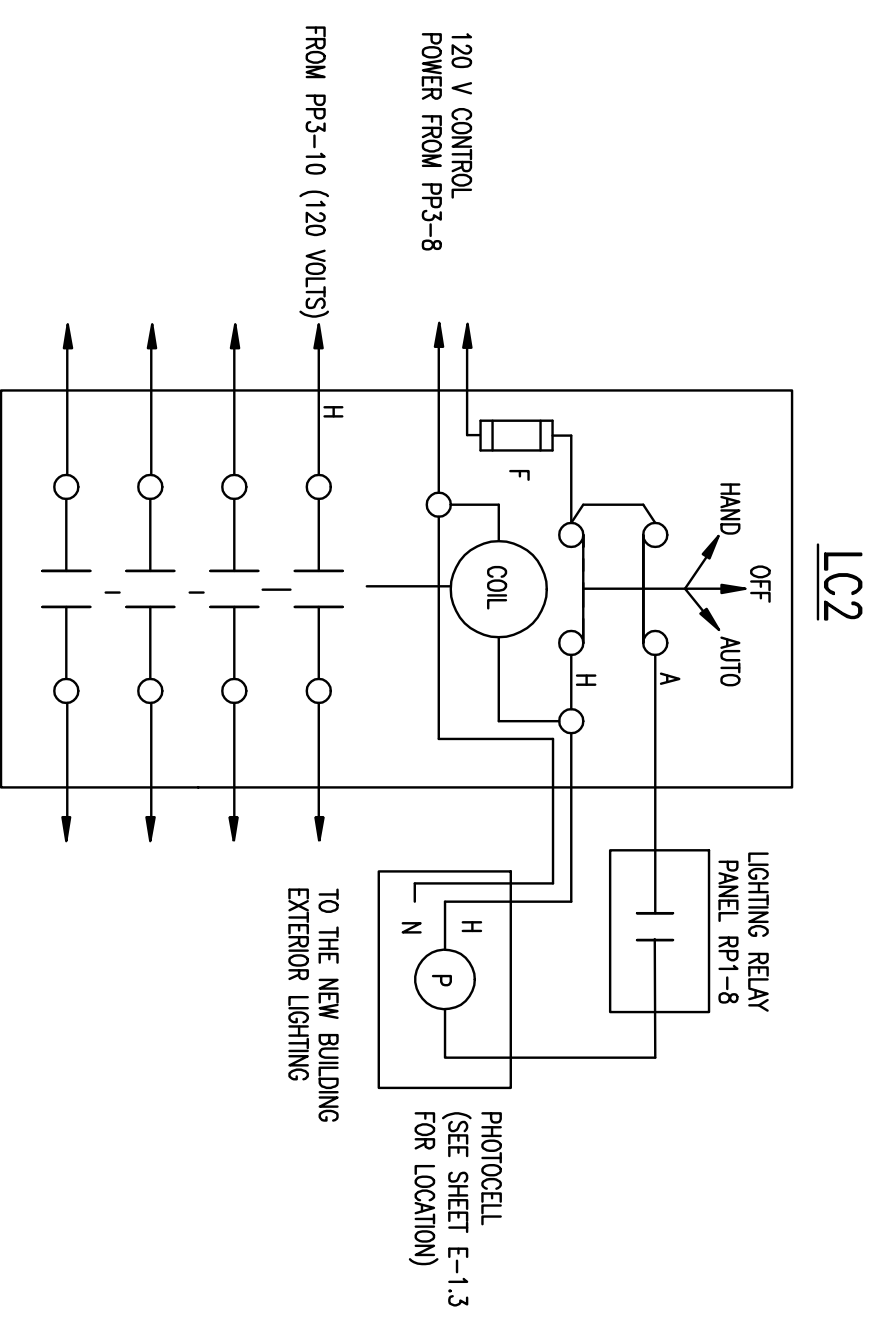
LIGHTING FIXTURE SCHEDULE

LIGHTING SCHEDULE NOTES:

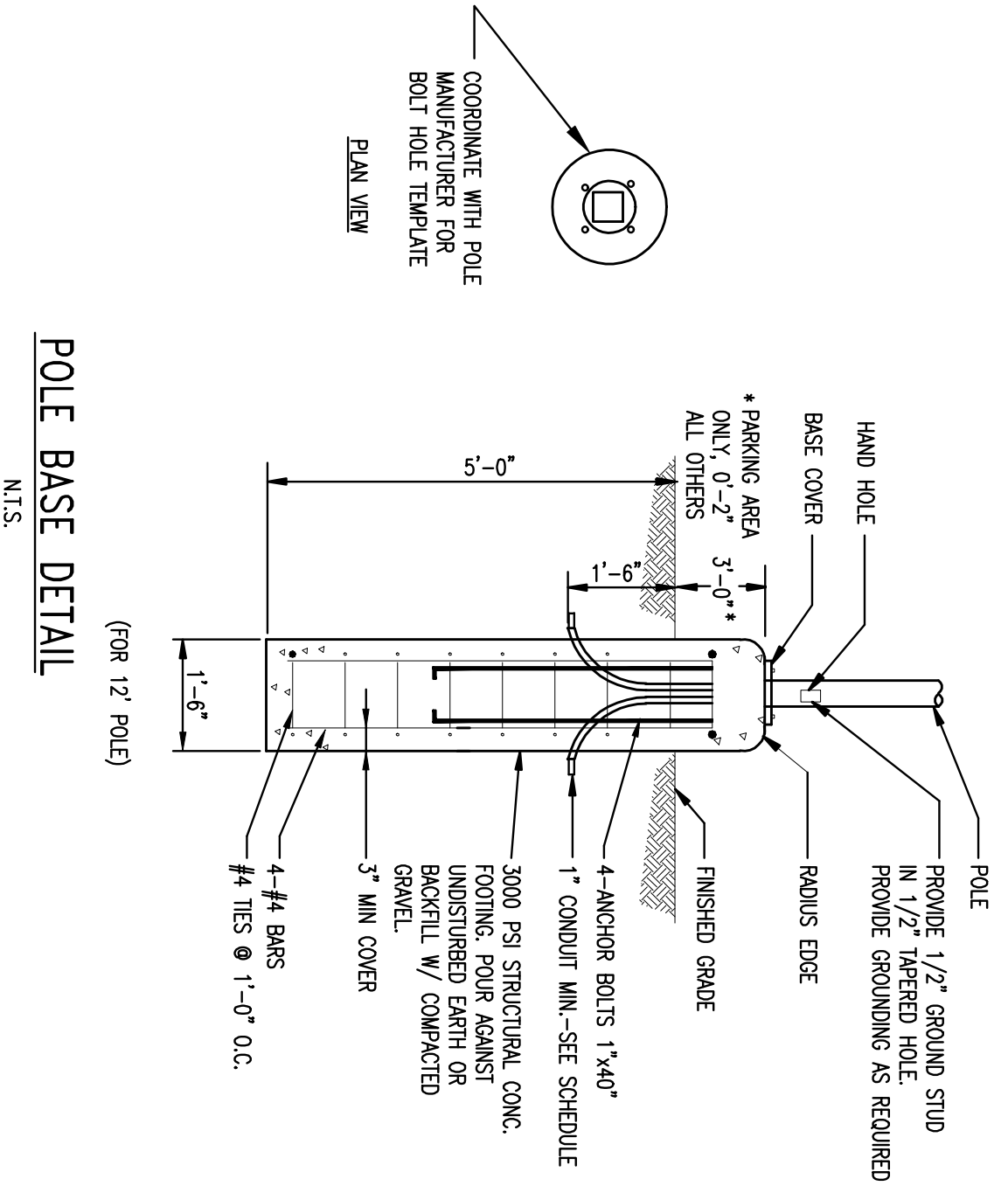
- PROVIDE ELECTRONIC HIGH OUTPUT LAMP AND BALLAST
- PROVIDE SHAWMA QUIETRONIC HIGH EFFICIENCY BALLAST SYSTEM TYPICAL FOR ALL NON DIMMABLE 18 LUMPS AND BALLASTS
- PROVIDE 410 WATT MINIMUM FOR REMOTE LED WORK; PROVIDE THE FOLLOWING FOR EXTERIOR MOUNTED HEADS:
 - PROVIDE EXTERIOR BOXES AS REQUIRED FOR REMOTE EXTERIOR HEADS
 - SIZE BATTERY PACKS TO ACCOMMODATE HEADS NOTED ON DRAWINGS. PLUS THE CAPACITY OF (2) EXTRA HEADS.
 - PROVIDE WITH 0-100% CONTROL DIMMING BALLAST
 - PROVIDE BALLAST FOR DIM. SWITCHING, WHERE APPLICABLE. SEE INDIVIDUAL FLOOR PLANS.
 - FRONTIER SHALL BE SHALL BE 208 VOLTS.
 - SET MOTION DETECTOR MAXIMUM DELAY TIME TO 30 MINUTES.
 - PROVIDE WITH EMERGENCY BALLAST; BATTERY PACK AND ADDITIONAL WIRING AS REQUIRED.
 - PROVIDE IN LENGTH AS SHOWN ON THE INSTALLATION DRAWINGS. CONNECT MODULAR SECTIONS TOGETHER TO FORM A CONTINUOUS STRIP IN LENGTHS AS SHOWN ON THE INSTALLATION DRAWINGS.
 - PROVIDE IN LENGTHS AS SHOWN ON THE INSTALLATION DRAWINGS. CONNECT MODULAR SECTIONS TOGETHER TO FORM A CONTINUOUS STRIP IN LENGTHS AS SHOWN ON THE INSTALLATION DRAWINGS.
- PROVIDE WITH 20A CIRCUIT BREAK INSTALL HALF OF HEADS ON ONE CIRCUIT AND HALF ON THE OTHER.
- PROVIDE WITH WIRE GUARD

GENERAL LIGHTING SCHEDULE NOTES:

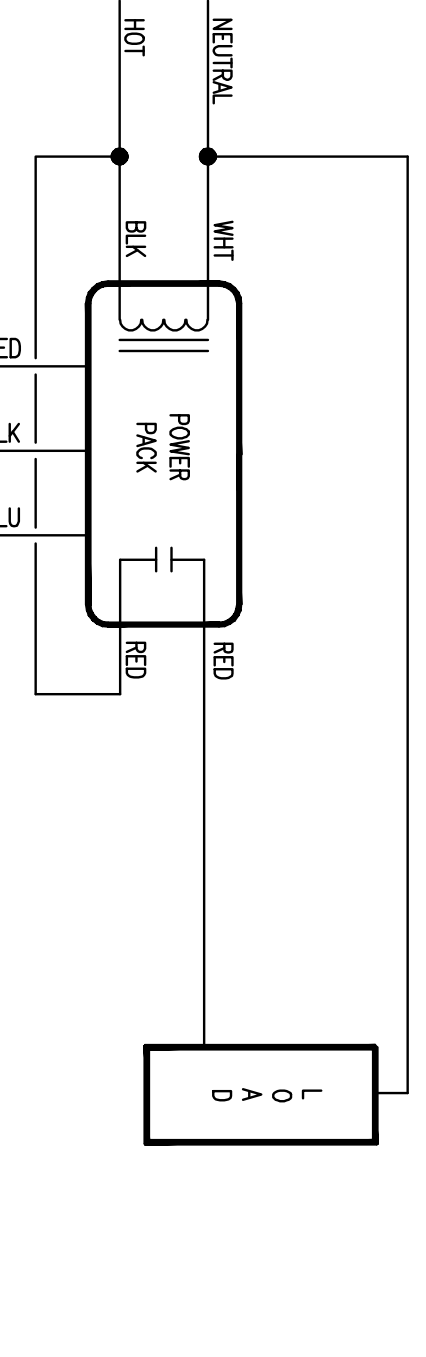
- PER MANUFACTURERS RECOMMENDATIONS
- CONTRACTOR SHALL SPECIFY WIRING AND FACING WHEN ORDERING ALL END SIZES.
- ALL LIGHTING FIXTURES SHALL BE INDEPENDENTLY SUPPORTED PER B.O.C.A.
- ALL FIXTURE BALLAST SHALL BE ELECTRONIC, HIGH POWER FACTOR, LOW HARMONIC DISTORTION TYPE. REFER TO SPECIFICATION FOR EXACT RECOMMENDATIONS.
- PROVIDE CEILING FLANGE MOUNTING KITS FOR FIXTURES MOUNTED IN GYPSUM BOARD CEILING.
- Lighting fixtures are not to be substituted without pre-approval of ARCHITECT/OWNER.
- ALL FIXTURES SHALL BE 120V UNLESS NOTED OTHERWISE.
- PROVIDE EMERGENCY BATTERY PACKS TO BE ASSIGNED TO ADDITIONAL HEAD CAPACITY WITH HEADS ONLY WHERE REQUIRED AND WITH SELF-DIAGNOSTIC FEATURE.



EXTERIOR BUILDING LIGHTING CONTROL
N.T.S.

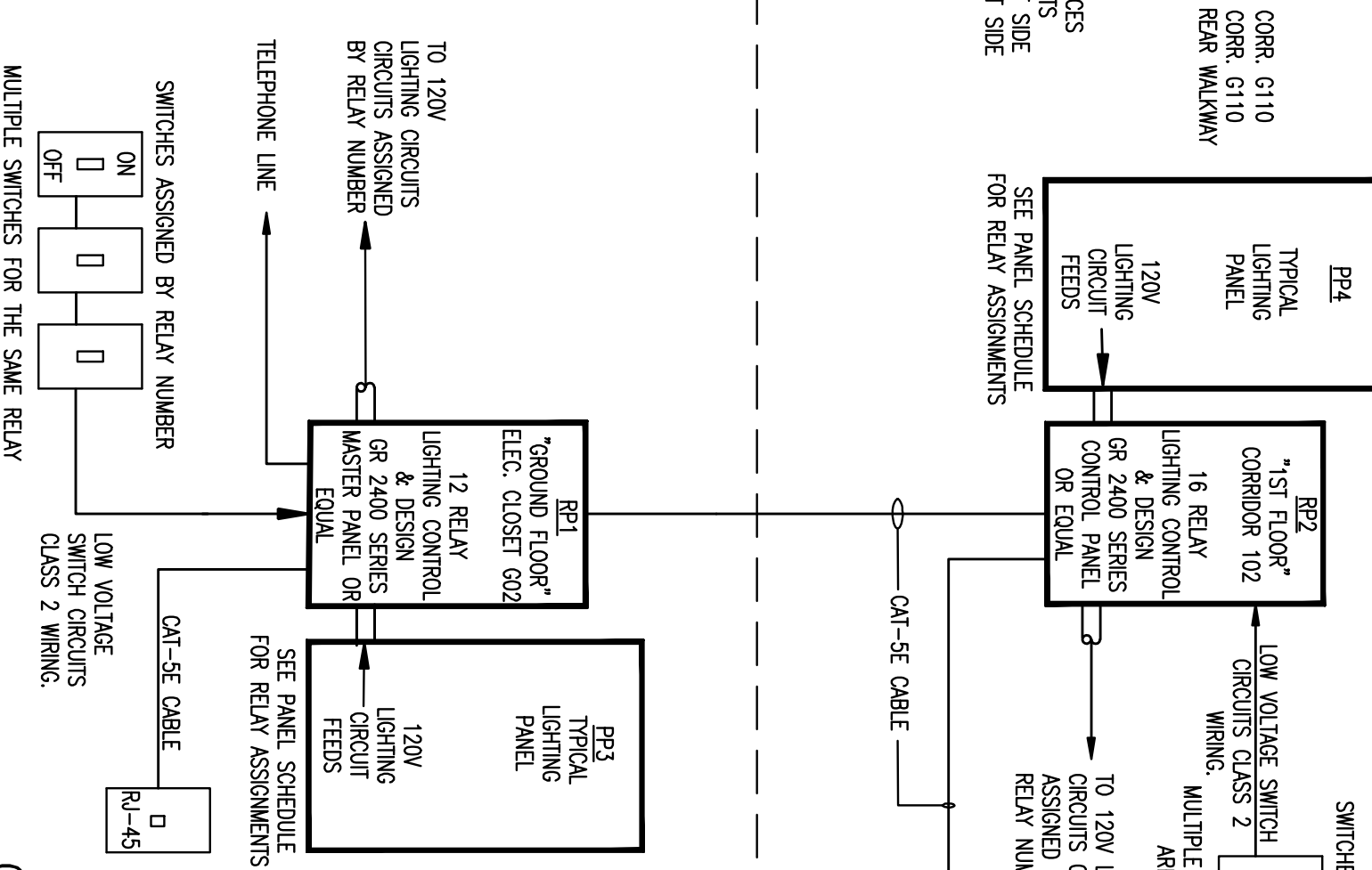
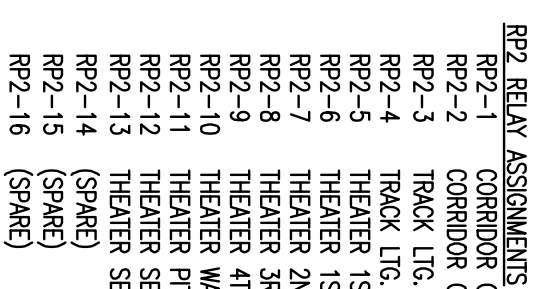


POLE BASE DETAIL
N.T.S.

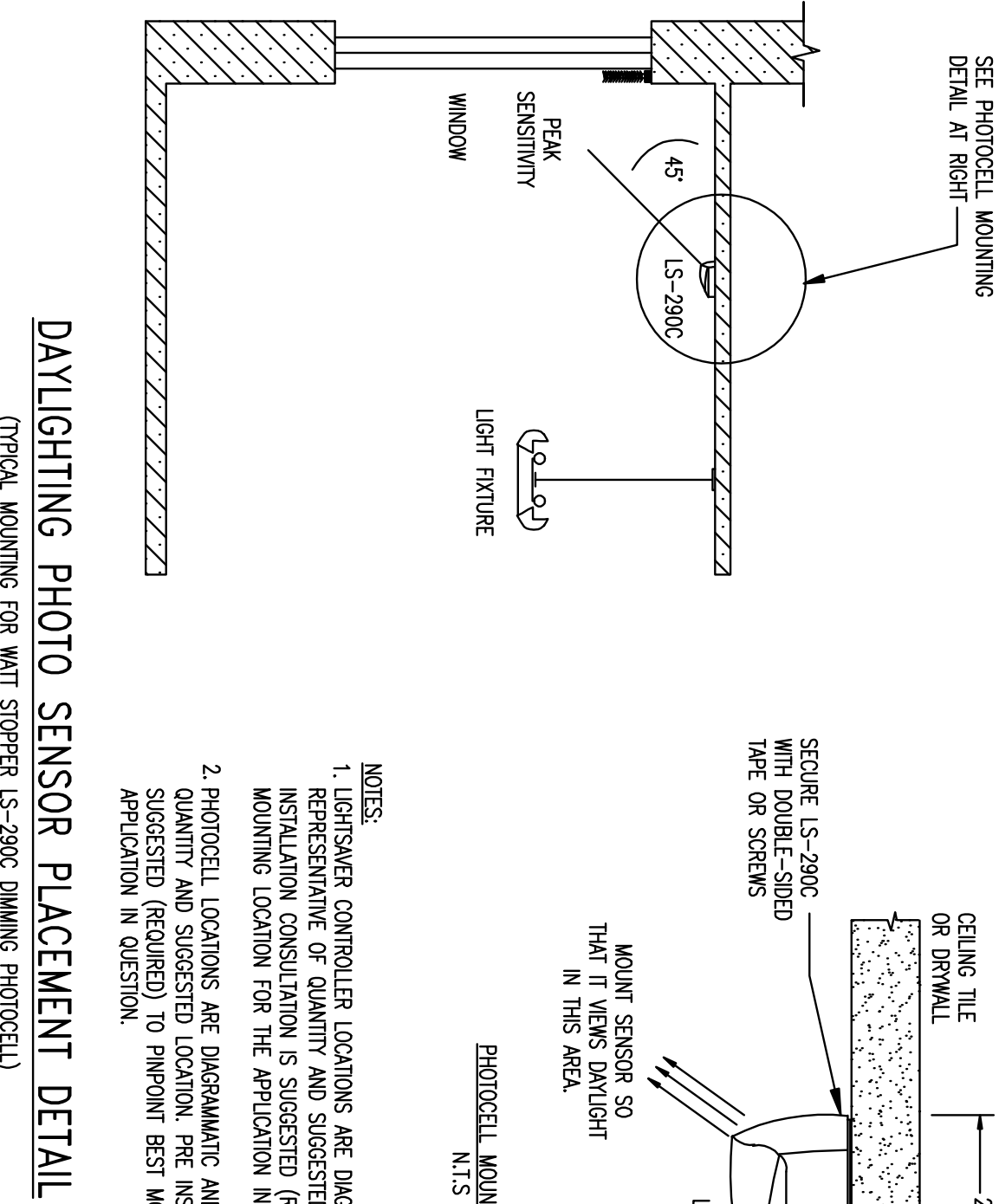


TYPICAL OCCUPANCY SENSOR WIRING DETAIL
N.T.S.

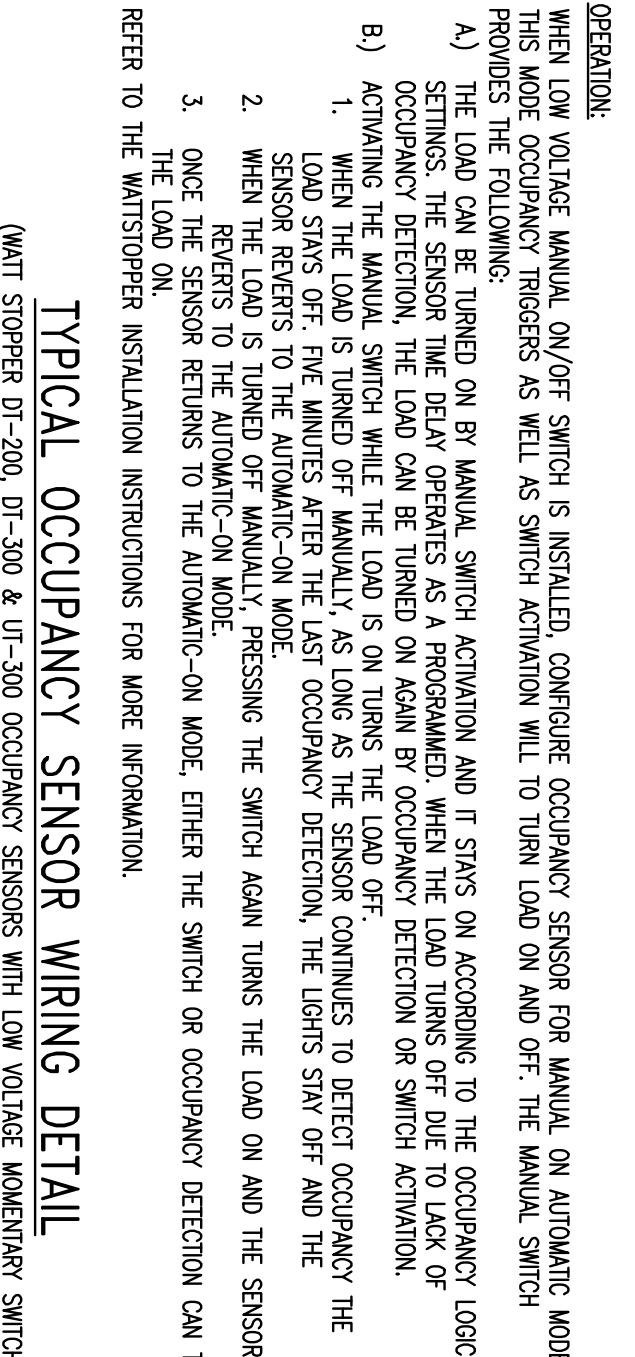
RELAY ASSIGNMENTS



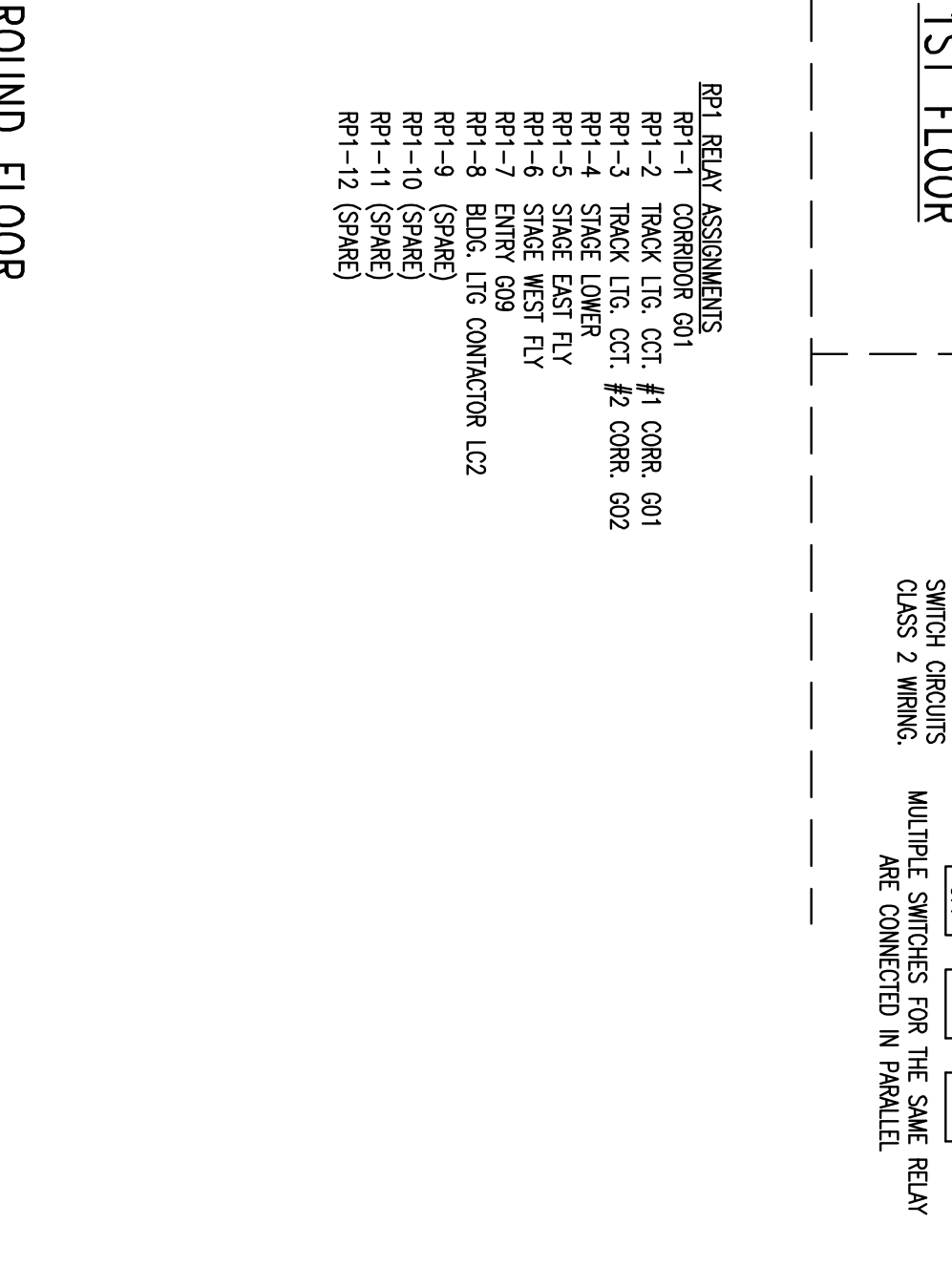
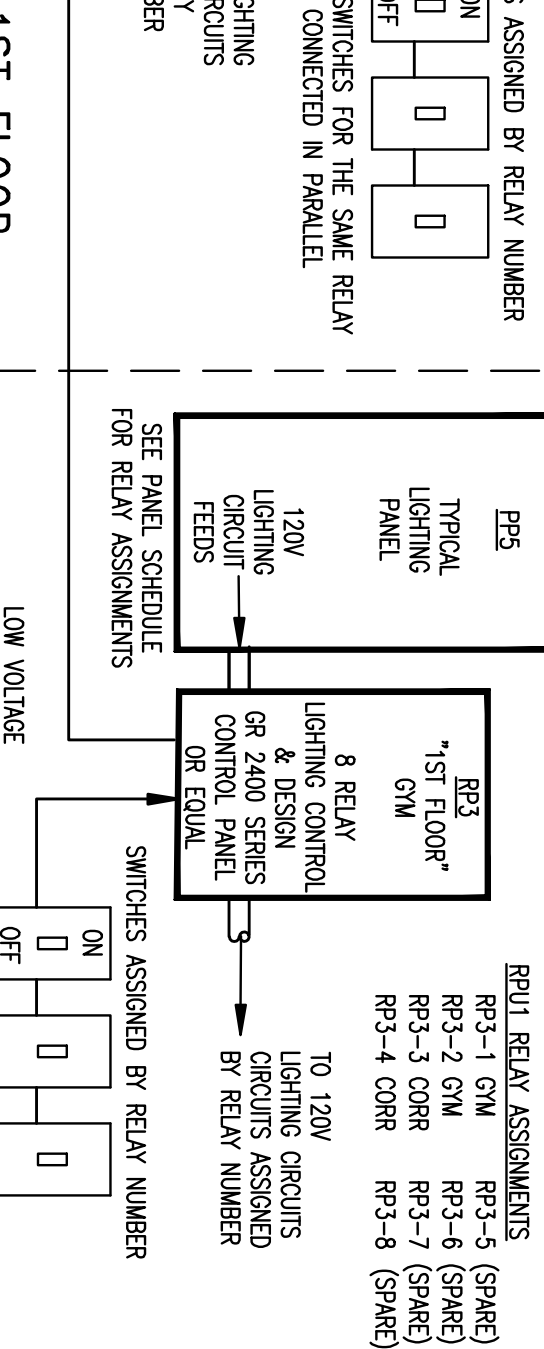
LIGHTING RELAY PANEL CONNECTION DETAIL
N.T.S.



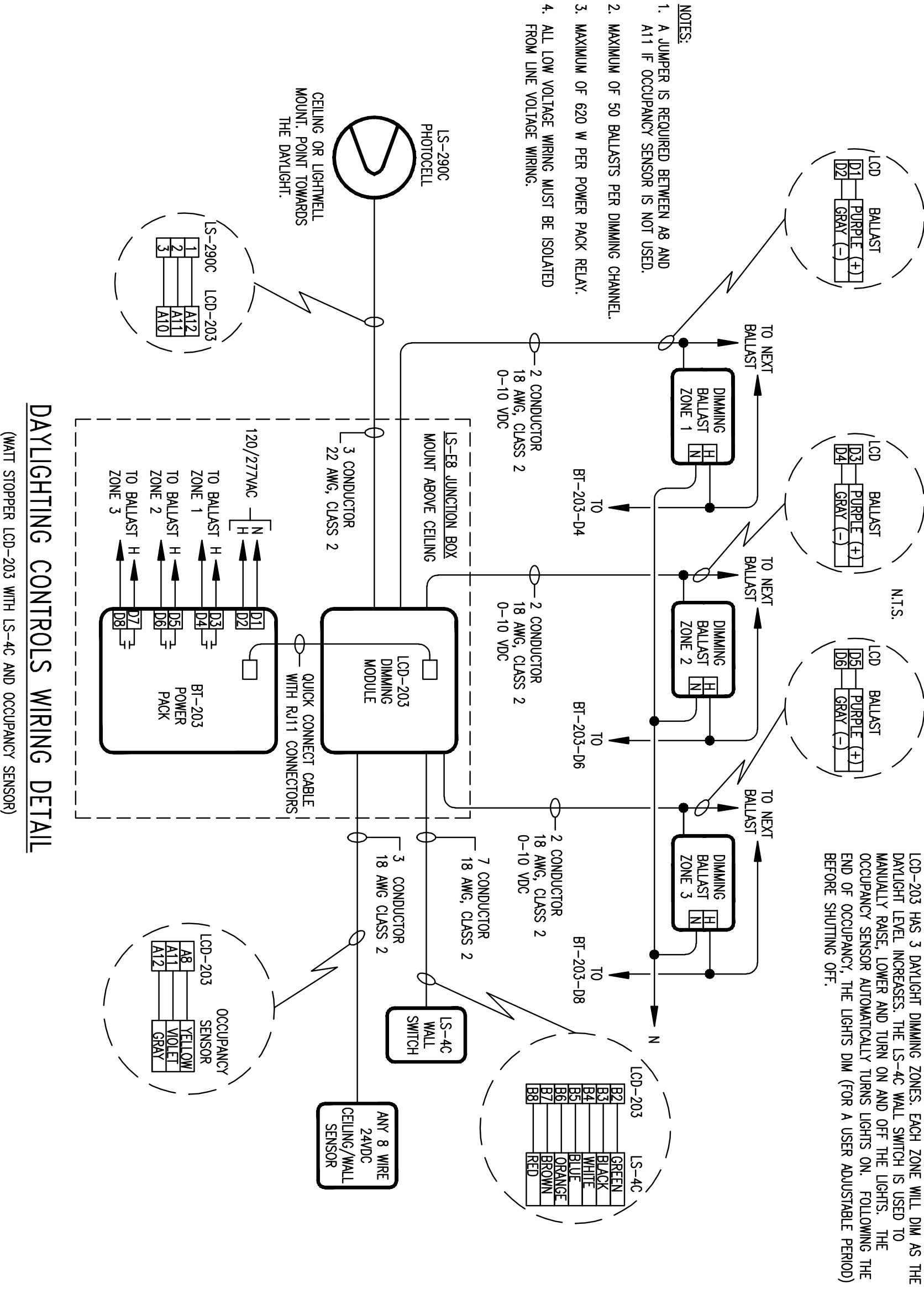
DAYLIGHTING PHOTO SENSOR PLACEMENT DETAIL
N.T.S.



TYPICAL OCCUPANCY SENSOR WIRING DETAIL
N.T.S.



LIGHTING RELAY PANEL CONNECTION DETAIL
N.T.S.



DAYLIGHTING CONTROLS WIRING DETAIL
N.T.S.

WAVNFLETE ARTS CENTER PHASE TWO

ADDITION/RENOVATION 390 SPRING STREET PORTLAND, ME

ELECTRICAL LIGHTING DETAILS AND FIXTURE SCHEDULE

ISSUED FOR BIDDING

DATE: 07/10/10
SCALE: 1/8"=1'-0"
DRAWN BY: RMB
DWG NO.: E-1.10