

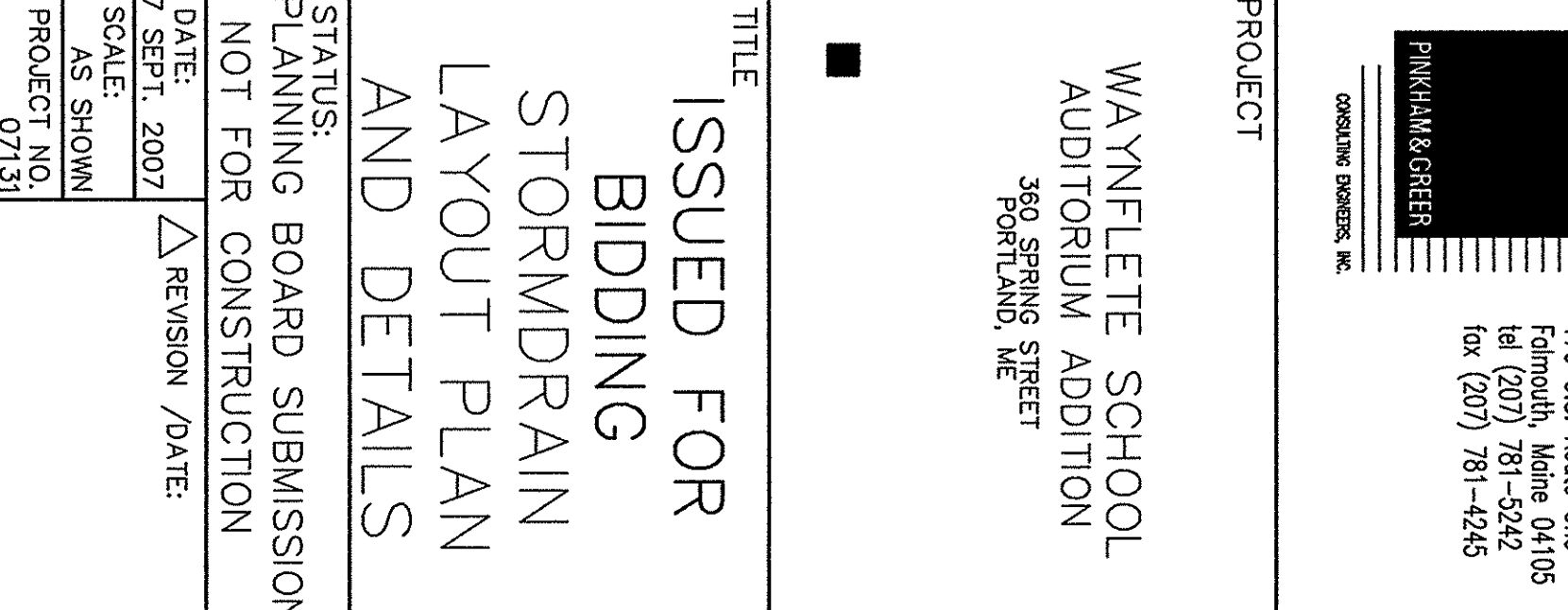
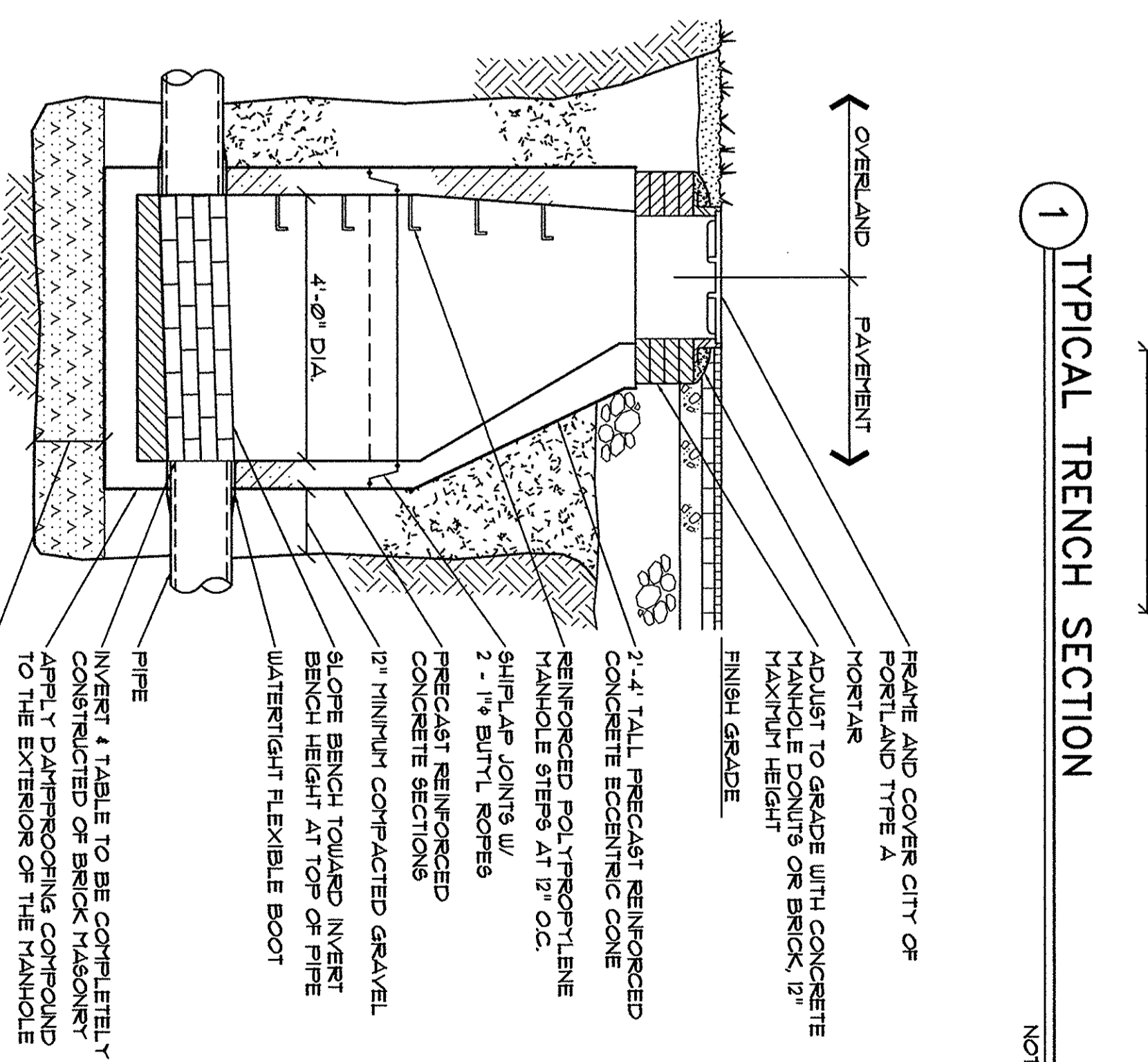
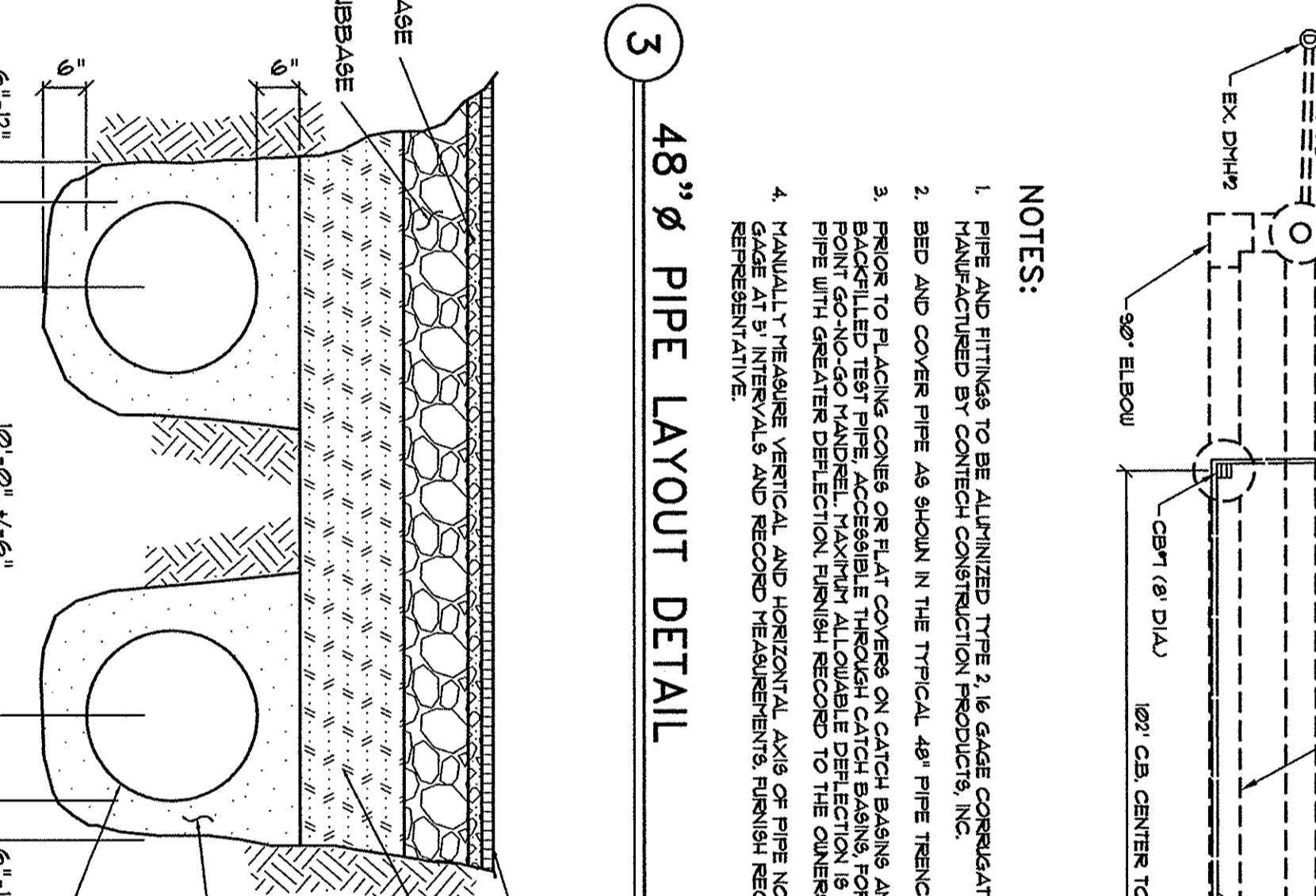
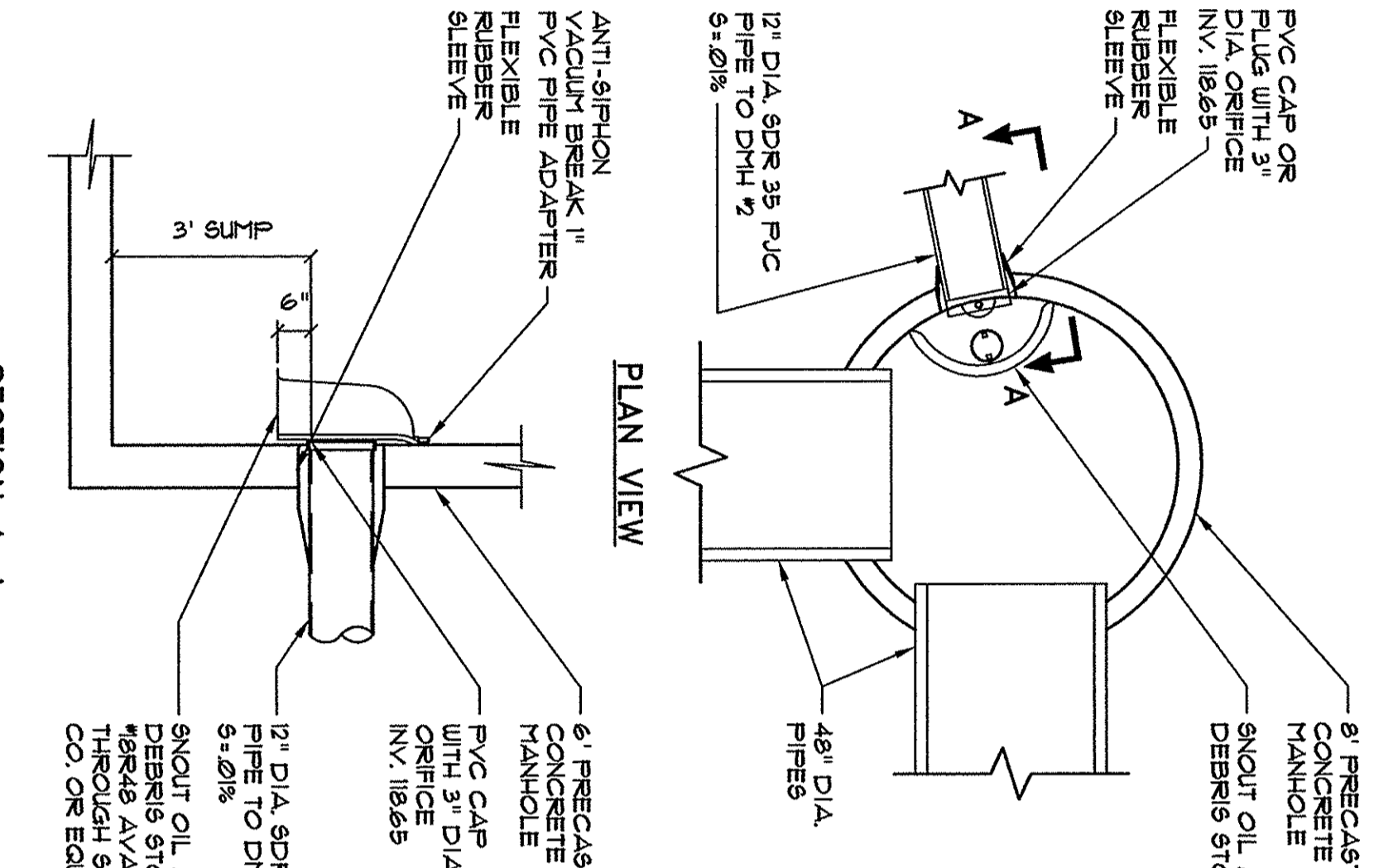
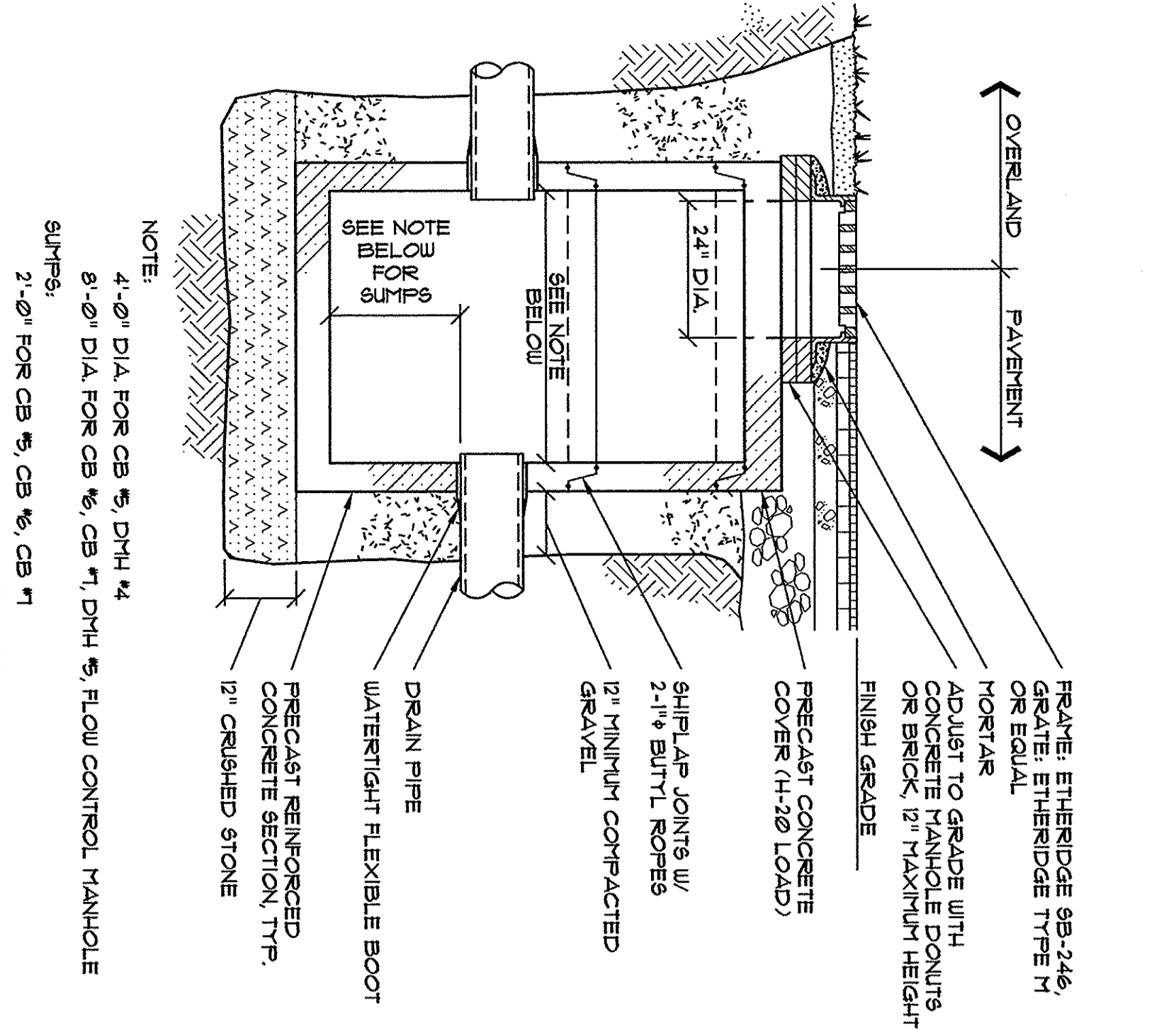
6 TYP. CATCH BASIN/DRAIN MANHOLE SECTION
NOT TO SCALE

5 FLOW CONTROL MANHOLE DETAIL
NOT TO SCALE

4 TYPICAL 48" PIPE TRENCH SECTION
NOT TO SCALE

2 CONCRETE COMBINED SEWER MANHOLE SECTION
NOT TO SCALE

1 TYPICAL TRENCH SECTION
NOT TO SCALE



5 FLOW CONTROL MANHOLE DETAIL
NOT TO SCALE

4 TYPICAL 48" PIPE TRENCH SECTION
NOT TO SCALE

2 CONCRETE COMBINED SEWER MANHOLE SECTION
NOT TO SCALE

1 TYPICAL TRENCH SECTION
NOT TO SCALE

GENERAL NOTES

1. FOUNDATION BOUND IS BASED ON A SURVEY BY GUNBARRETT, INC. FOR WYNFLEETE SCHOOL ADDITION AND GREER OF THE AREA SOUTH OF DAVIES HALL. THAT IS TO BE DEVELOPED IN THE AREA SOUTH OF DAVIES HALL. THAT IS TO BE DEVELOPED IN THE AREA SOUTH OF DAVIES HALL AND ADJACENT TO THE LOWER FLOOR ELEVATION OF THE PAST FLOOR TO THE MAINTENANCE AREA AS A BENCHMARK ELEVATION OF THE FOUNDATION SHALL VERIFY THROUGHOUT FROM TO CONSTRUCTION.
2. UTILITIES SHOWN ARE APPROXIMATE ONLY AND EXCEPT FOR A SINGLE TEST PIT COMPLETED 6/28/07 TO LOCATE A 6-INCH SEWER PIPE SOUTH OF DAVIES HALL, HAVE NOT BEEN VERIFIED. THIS PLAN MIGHT NOT BE RELIED UPON AS BEING ACCURATE OR COMPLETE. THE CONTRACTOR SHALL CONTACT DIG-SAFE (1-888-DIG-SAFE) WITHIN THIRTY (30) DAYS, VERIFY LOCATIONS OF UNDERGROUND UTILITIES. THE CONTRACTOR SHALL BE AWARE THAT DIG-SAFE NOTIFIES ITS MEMBERS UTILITIES ONLY, NON-MEMBERS UTILITIES DIRECTLY FOR IDENTIFYING AND CONTACTING.
3. BEFORE THE BRIDGE AND CABLE BELIEVED (CABLE) SERVICES ARE TO BE UNDERGROUND, CONTRACTOR SHALL PROVIDE COMPANY'S FOR CABLE AND ALL NECESSARY ELECTRICAL SERVICES BETWEEN BRIDGE AND CONDUIT REQUIREMENTS. THE CONTRACTOR SHALL PROVIDE AND INSTALL CONDUIT FOR ELECTRICAL SERVICES BETWEEN BRIDGE AND CONDUIT.
4. REMOVE ALL TEST AND DIRECT WATER MAIN AND SERVICE RECONSTRUCTION.
5. STORM DRAIN PIPES SHALL BE HIGH DENSITY POLYETHYLENE EQUAL TO ADS-12 UNLESS SPECIFIED OTHERWISE ON THE DRAWINGS. SEE NOTE 1 IN DETAIL 3.
6. RELOCATE THE EXISTING COMBINED SEWER THAT RUNS ALONG THE SOUTH EDGE OF THE NEW BUILDING EXCAVATE TEST PITS ON THE NORTH SIDE OF THE NEW BUILDING FOUNDATION AND LOCATE THE EXISTING NEW 36" PVC PIPE AND MANHOLE SO THAT THE NEW PIPE IS 16" TO 24" SOUTH OF THE NEW BUILDING FOUNDATION AND STORED IN PIPE DIRECTION LAY PIPE STRAIGHT BETWEEN MANHOLES. RECORD AS-BUILT LOCATIONS, INVERTS ELEVATIONS AND PIPE SLOPES AND SHUT THIS INFORMATION TO THE ARCHITECT/ENGINEER.
7. REMOVE EXISTING SEWER PIPE WITH SCHEDULE 40 PVC AND CONNECT INVERT ELEVATION OF BIRDS AND CONNECTIONS OF NEW PIPE TO OLD AND TO THE NEW COMBINED SEWER FIELD ADJUST PIPE SLOPES AS BIRDS PIPE AND MANHOLE DEAVITY FLOW IN NORTH STORM DRAIN AND COMBINED SEWER PIPES NOTIFY ENGINEER IF THESE CONDITIONS ARE NOT MET BY THE ARCHITECT/ENGINEER.
8. THE SLOPE OF THE PIPE BETWEEN DMH #5 AND DMH #4 SHALL BE 1/4" MINIMUM & VERTICAL SEPARATION BETWEEN THE EX-COMBINED SEWER AND THE NEW STORM DRAIN PIPE WITH THE NEW PIPE FLASHING UNDER THE EX-COMBINED SEWER.

