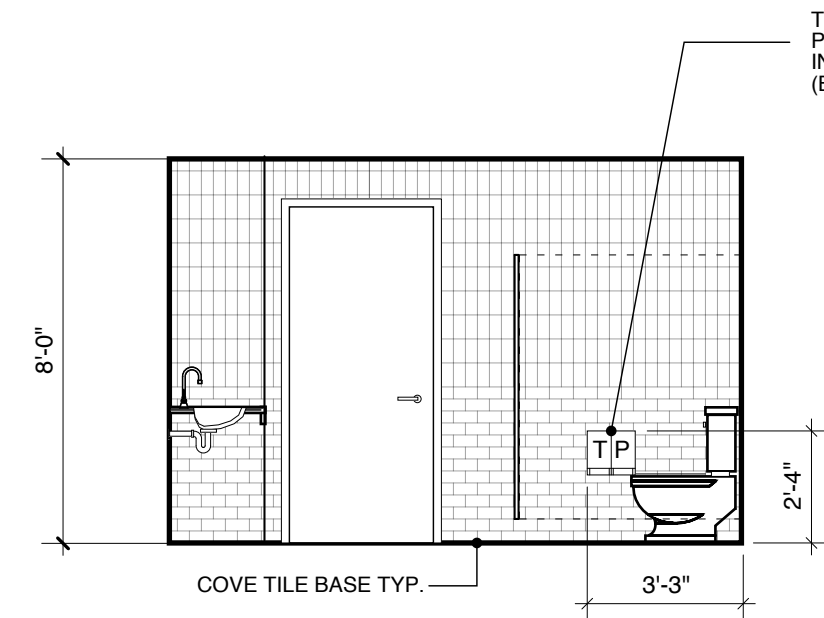
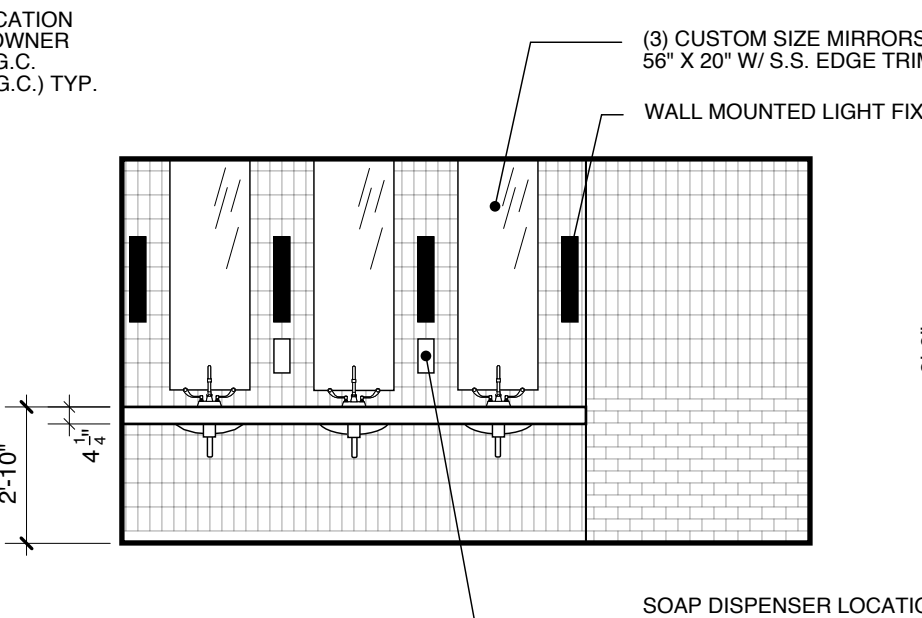


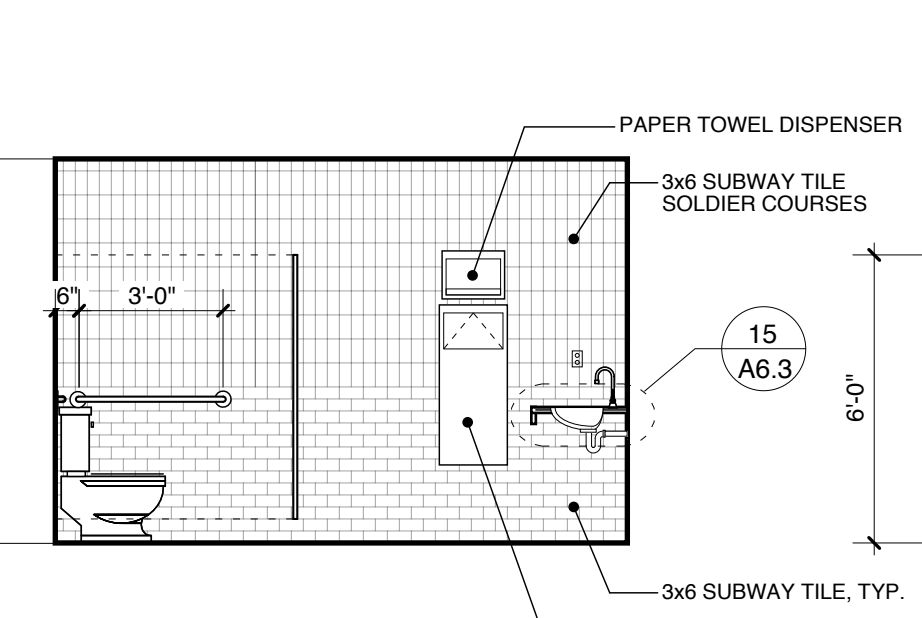
1 ENLARGED BATHROOM PLANS
SCALE: 1/4"=1'-0"



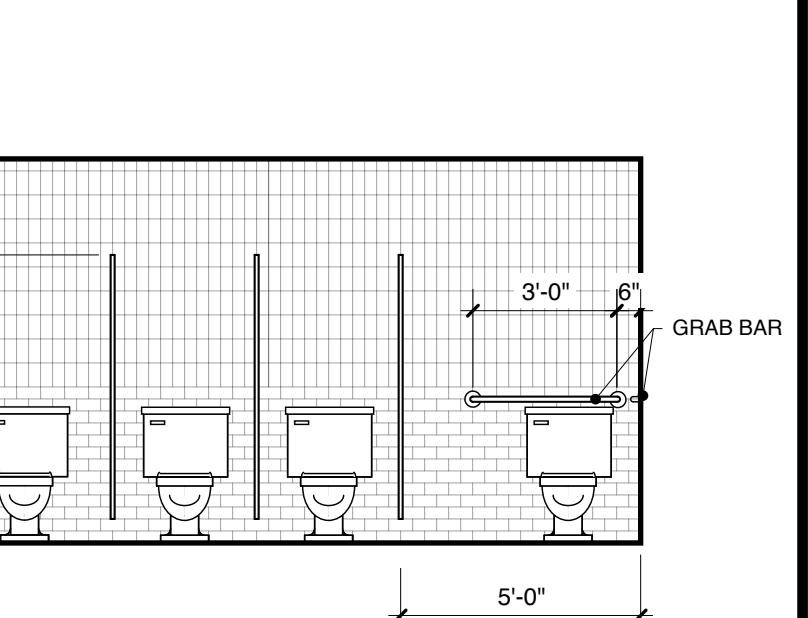
2 WOMENS ROOM 105
SCALE: 1/4"=1'-0"



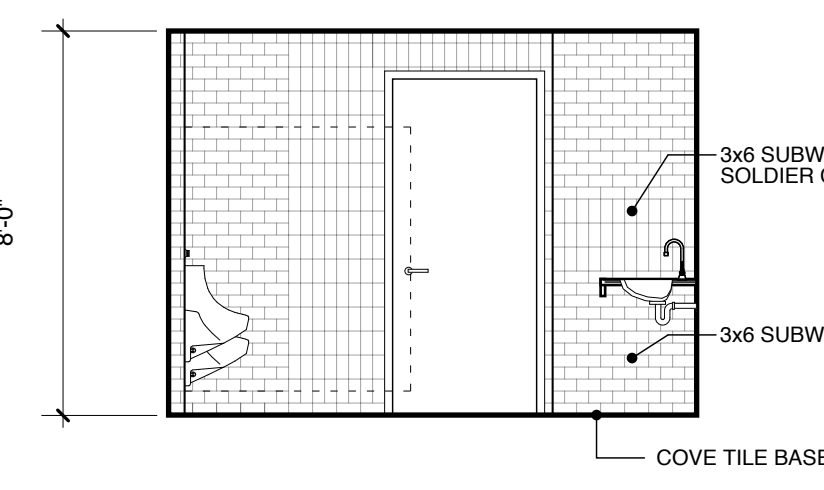
3 WOMENS ROOM 105
SCALE: 1/4"=1'-0"



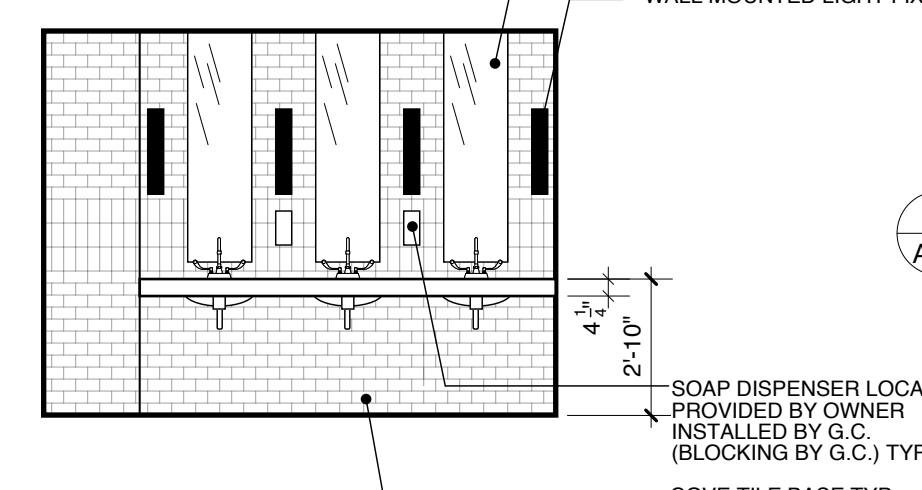
4 WOMENS ROOM 105
SCALE: 1/4"=1'-0"



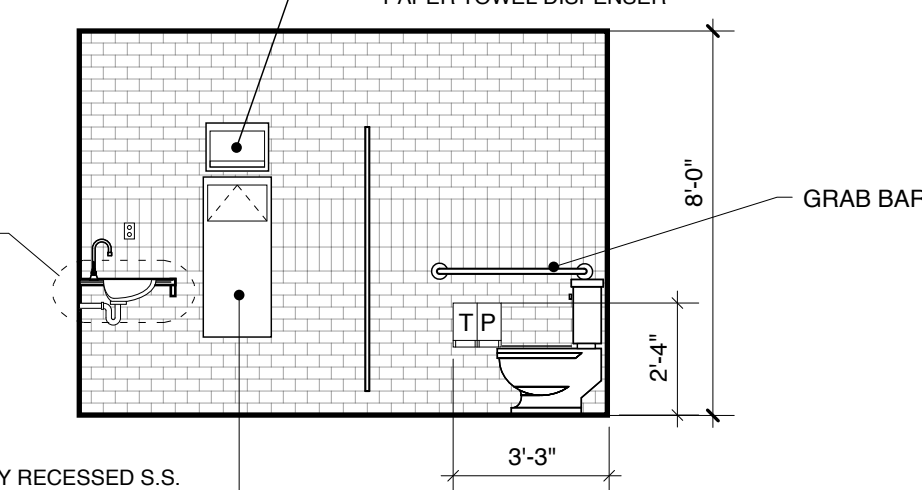
5 WOMENS ROOM 105
SCALE: 1/4"=1'-0"



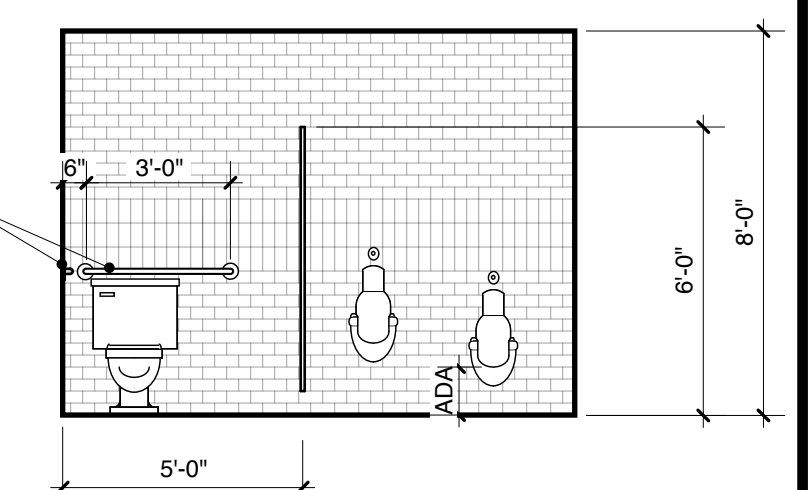
6 MENS ROOM 106
SCALE: 1/4"=1'-0"



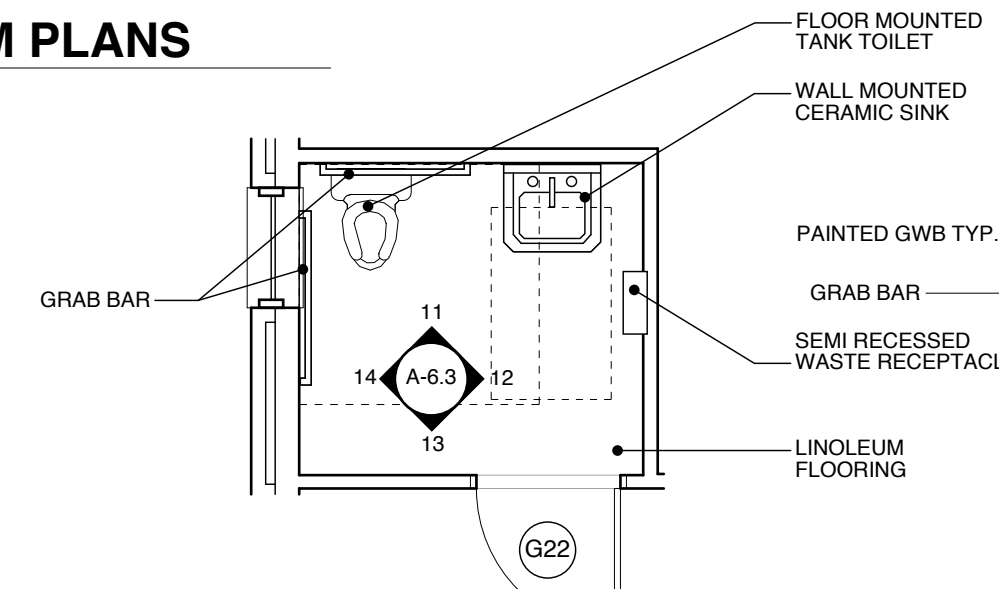
7 MENS ROOM 106
SCALE: 1/4"=1'-0"



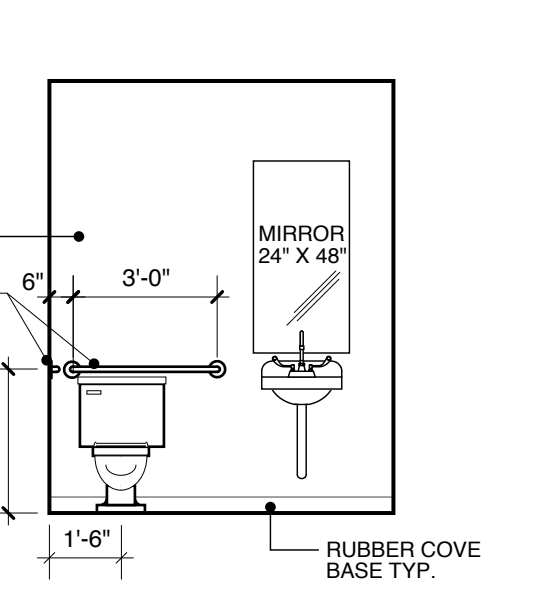
8 MENS ROOM 106
SCALE: 1/4"=1'-0"



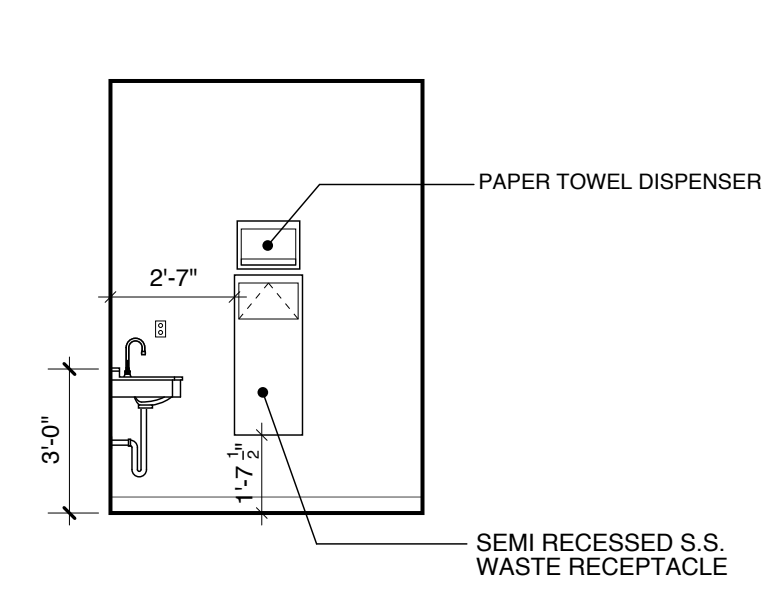
9 MENS ROOM 106
SCALE: 1/4"=1'-0"



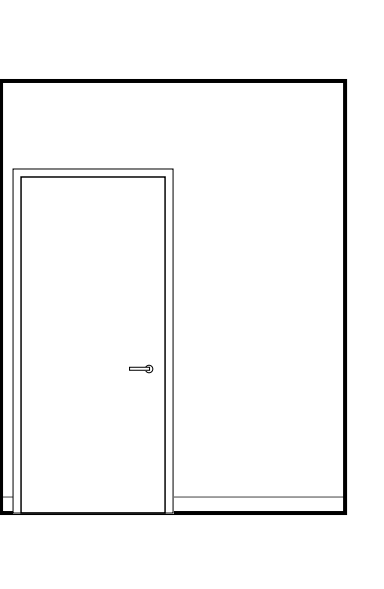
10 STAGE W/C G10
SCALE: 1/4"=1'-0"



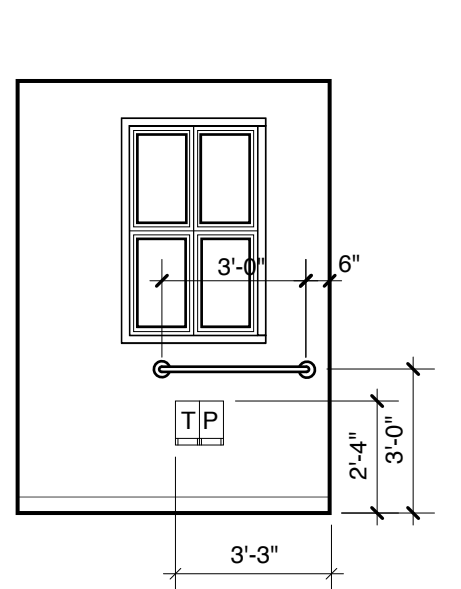
11 STAGE W/C G10
SCALE: 1/4"=1'-0"



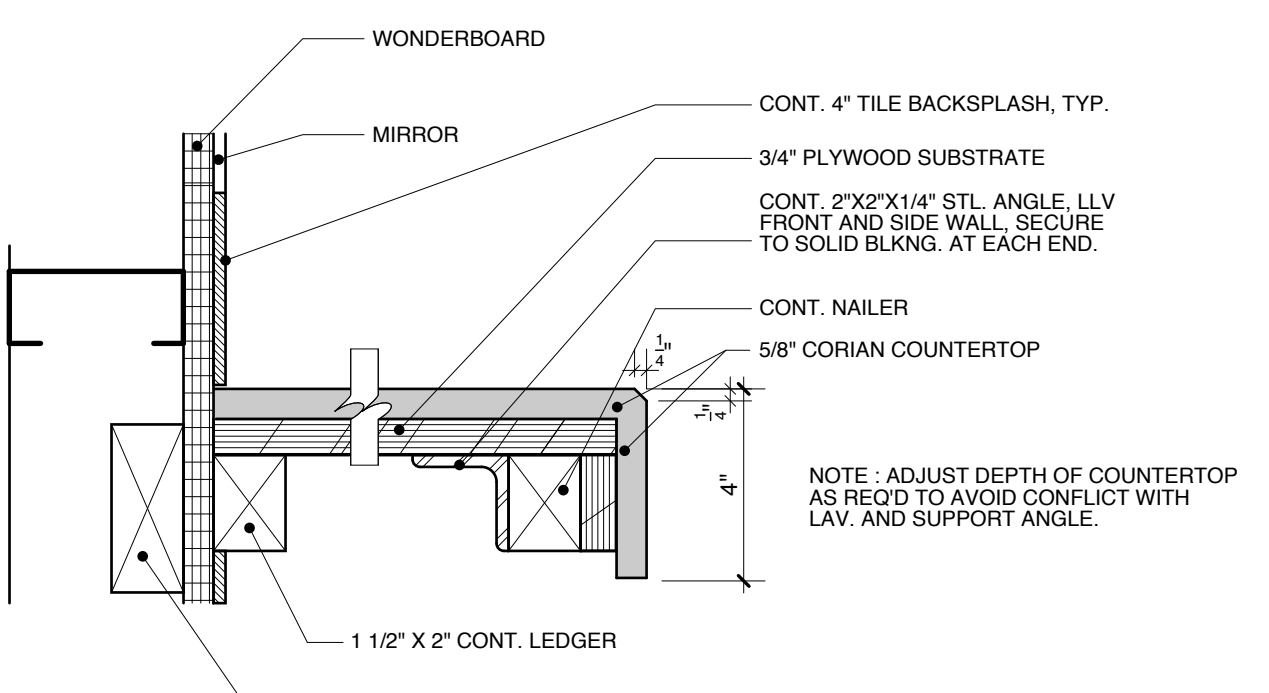
12 STAGE W/C G10
SCALE: 1/4"=1'-0"



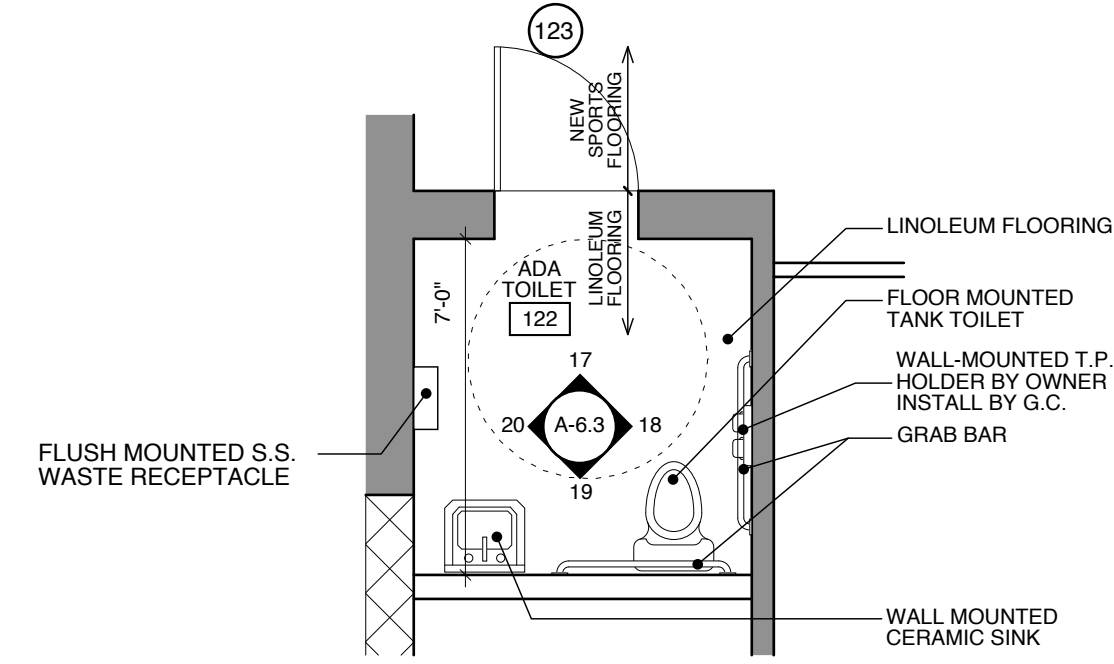
13 STAGE W/C G10
SCALE: 1/4"=1'-0"



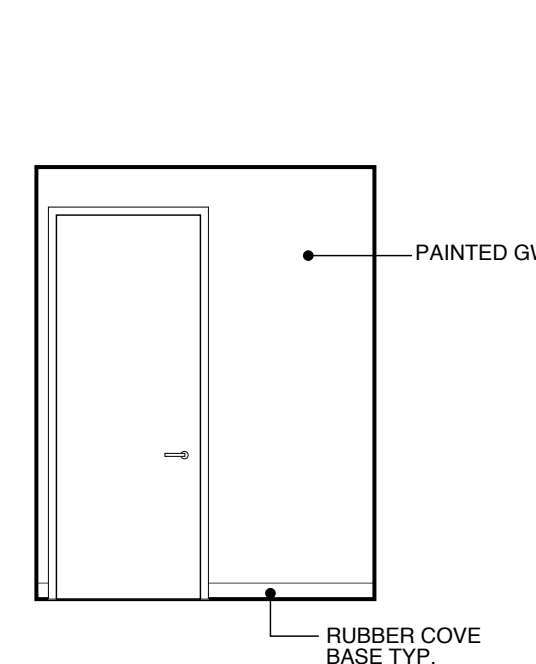
14 STAGE W/C G10
SCALE: 1/4"=1'-0"



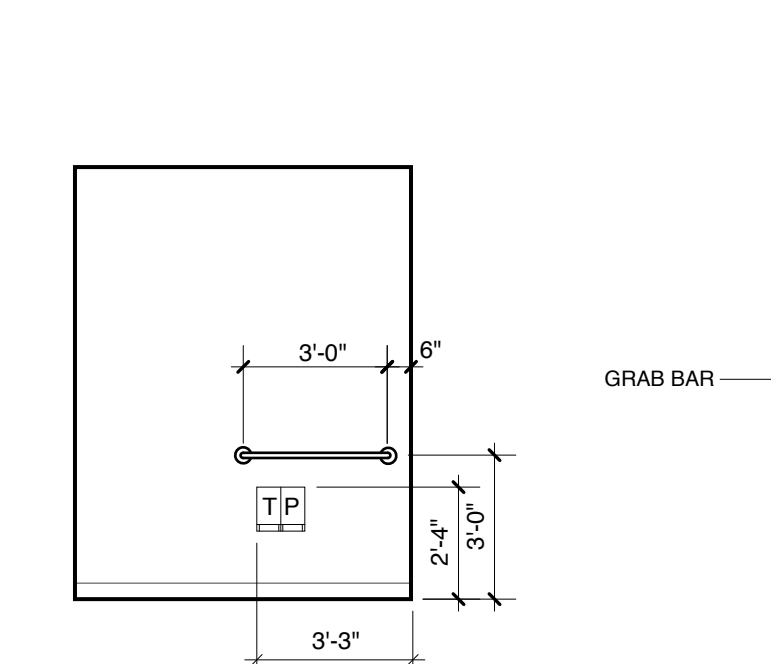
15 DETAIL @ COUNTERTOP
3"=1'-0"



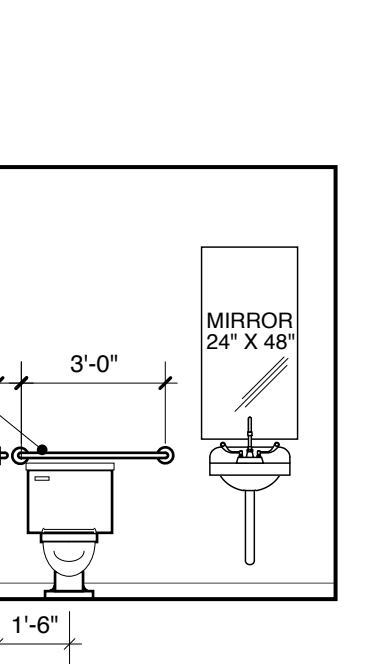
16 GYM W/C 122
SCALE: 1/4"=1'-0"



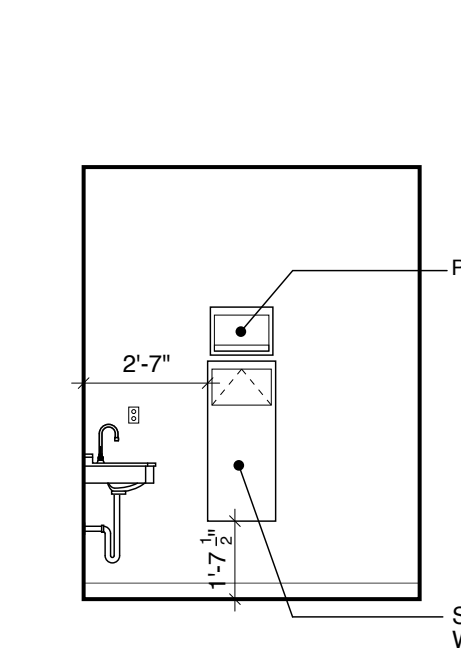
17 GYM W/C 122
SCALE: 1/4"=1'-0"



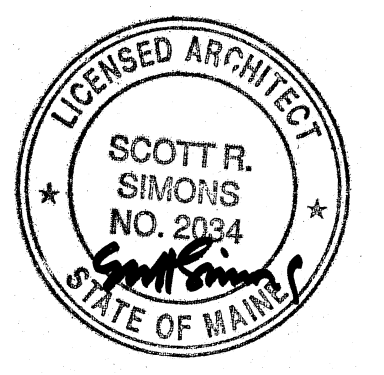
18 GYM W/C 122
SCALE: 1/4"=1'-0"



19 GYM W/C 122
SCALE: 1/4"=1'-0"



20 GYM W/C 122
SCALE: 1/4"=1'-0"



SSA
Scott Simons Architects
75 York Street
Portland, Maine 04101
phone 207 772 4656
fax 207 828 4656

THIS DRAWING IS THE PROPERTY OF
SCOTT SIMONS ARCHITECTS
AND IS NOT TO BE COPIED OR
REPRODUCED IN PART OR WHOLE.

PROJECT
**WAYNFLETE ARTS CENTER
PHASE TWO**
ADDITION/ RENOVATION
360 SPRING STREET
PORTLAND, ME

TITLE
**ENLARGED BATHROOM
PLANS + ELEVATIONS**

STATUS: **ISSUED FOR BIDDING**
CONSTRUCTION DOCUMENTS

DATE: **09.07.2007** REVISION /DATE:

PROJECT NO: **2003-0040.00**
DRAWN BY:

2007 © Scott Simons Architects
DWG NO.

A-6.3