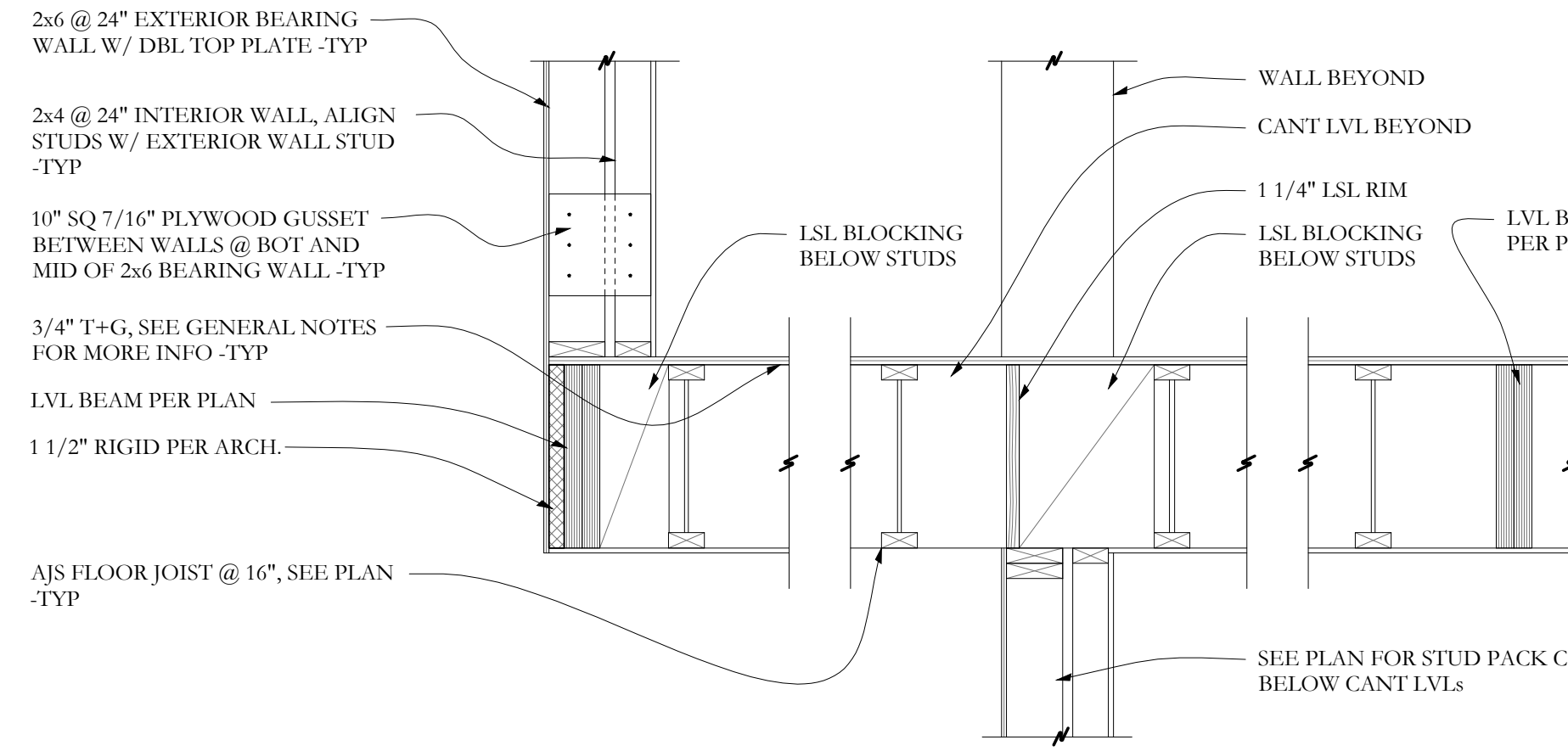
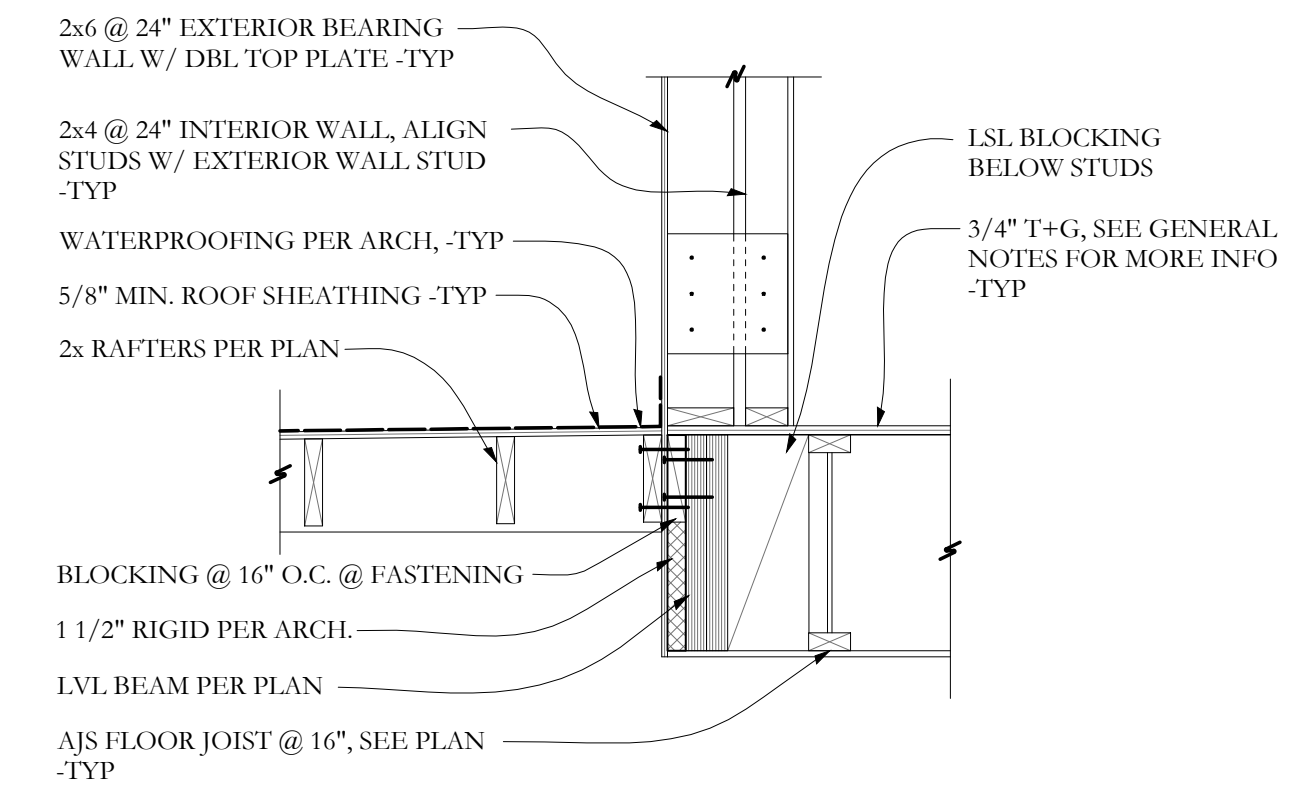


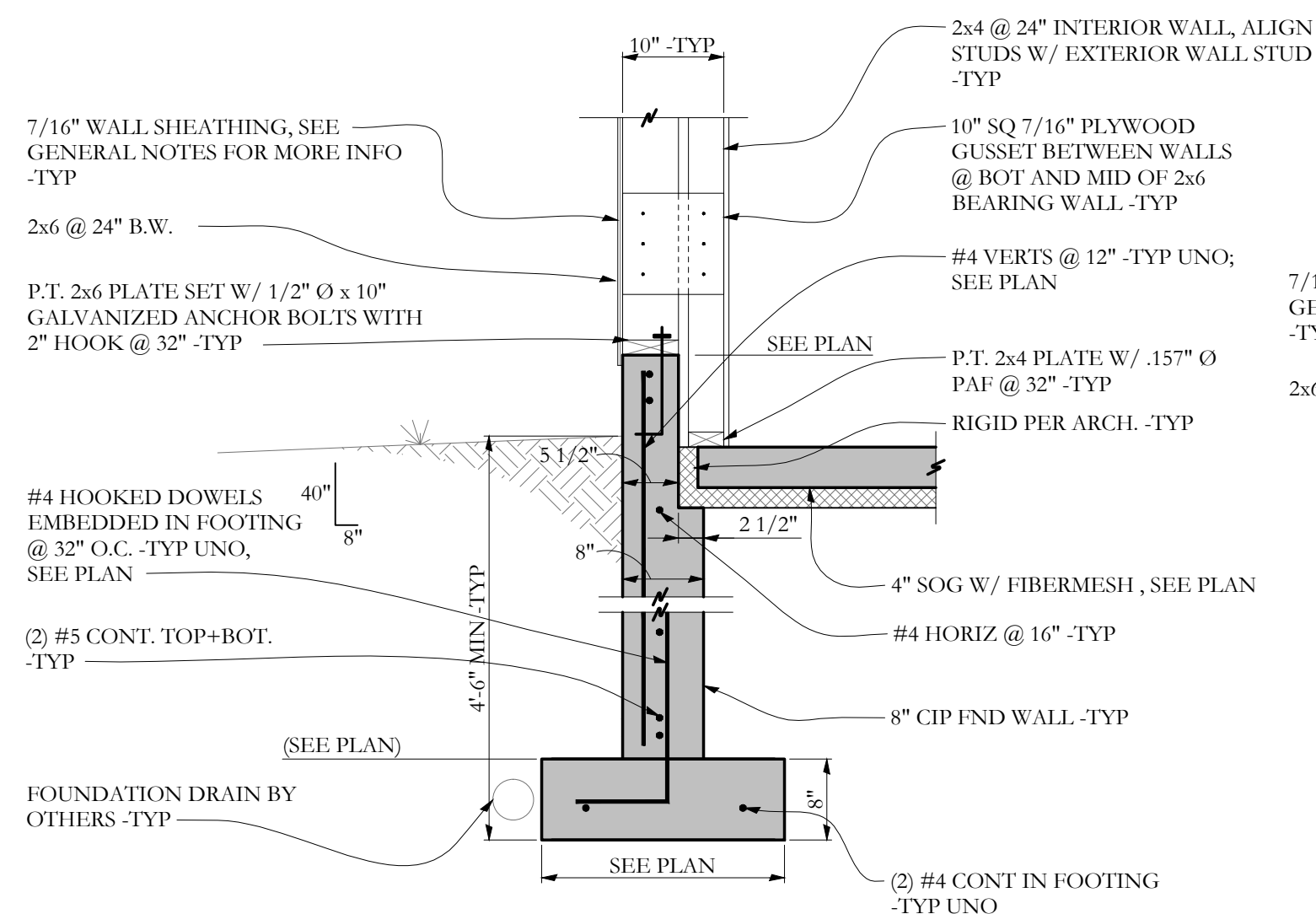
SECTION **J** S-2.1 3/4"=1'-0"



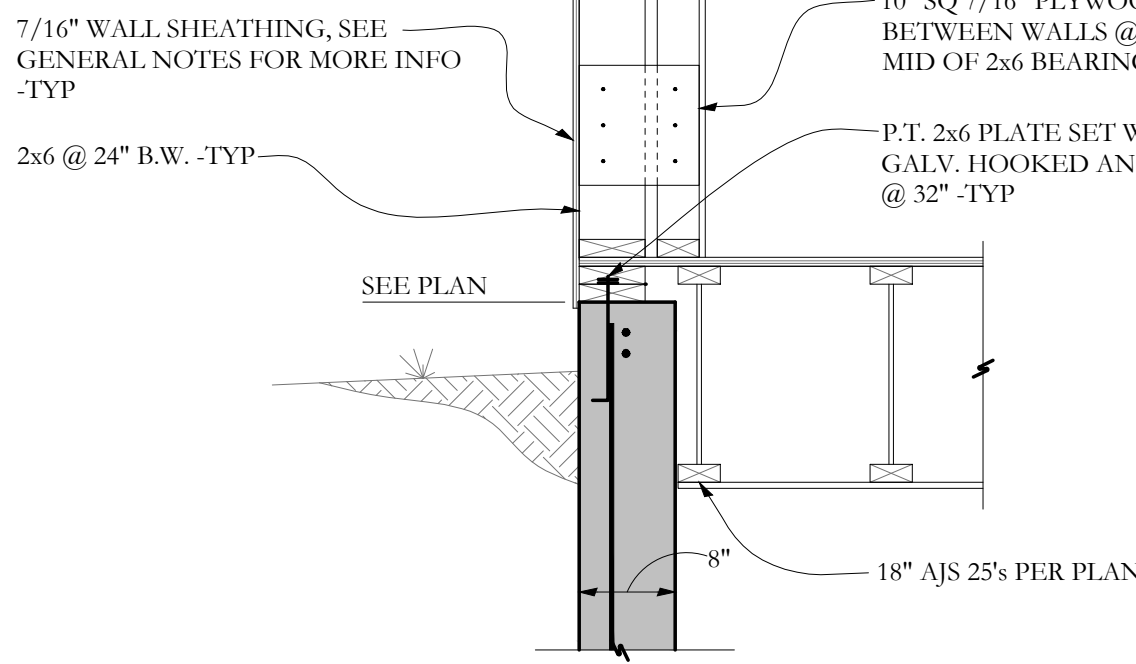
SECTION **L** S-2.1 3/4"=1'-0"



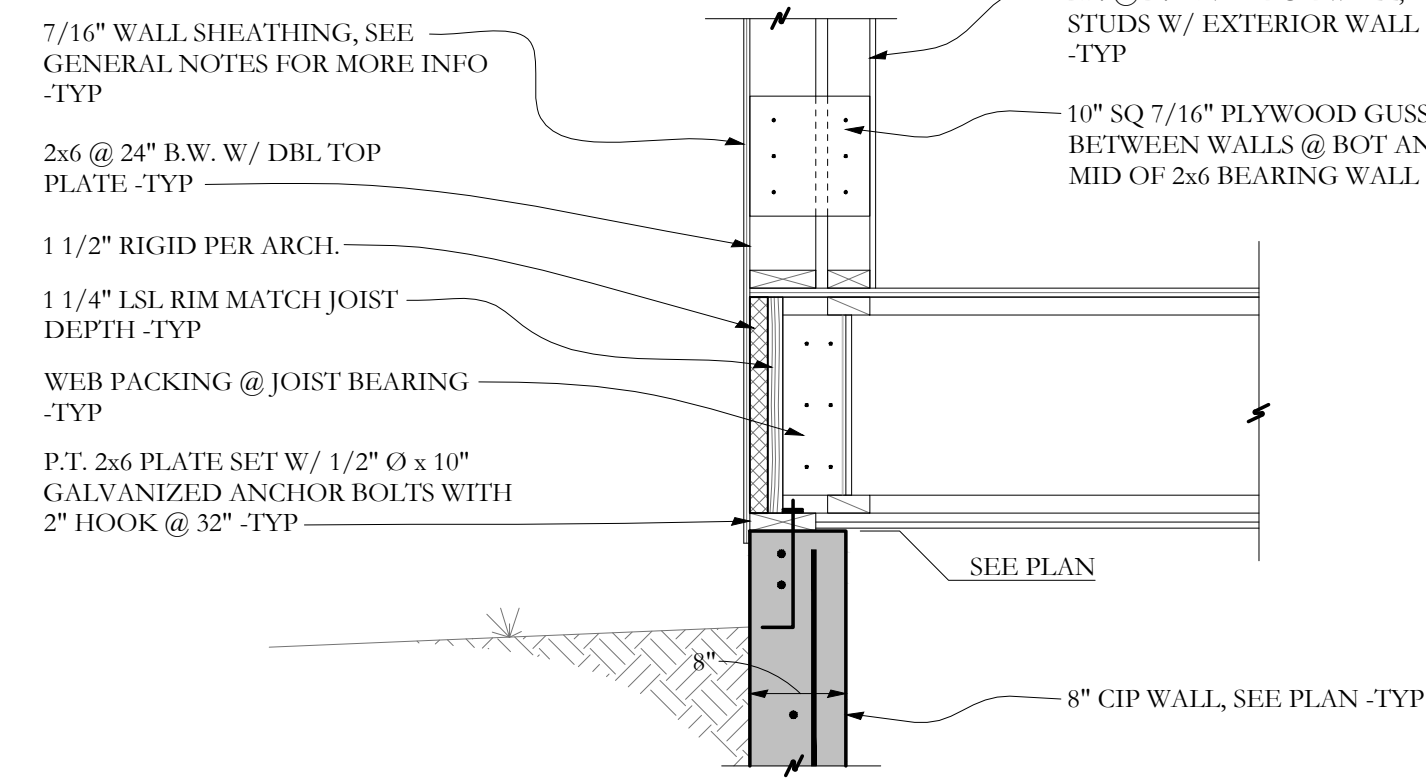
SECTION **M** S-2.1 3/4"=1'-0"



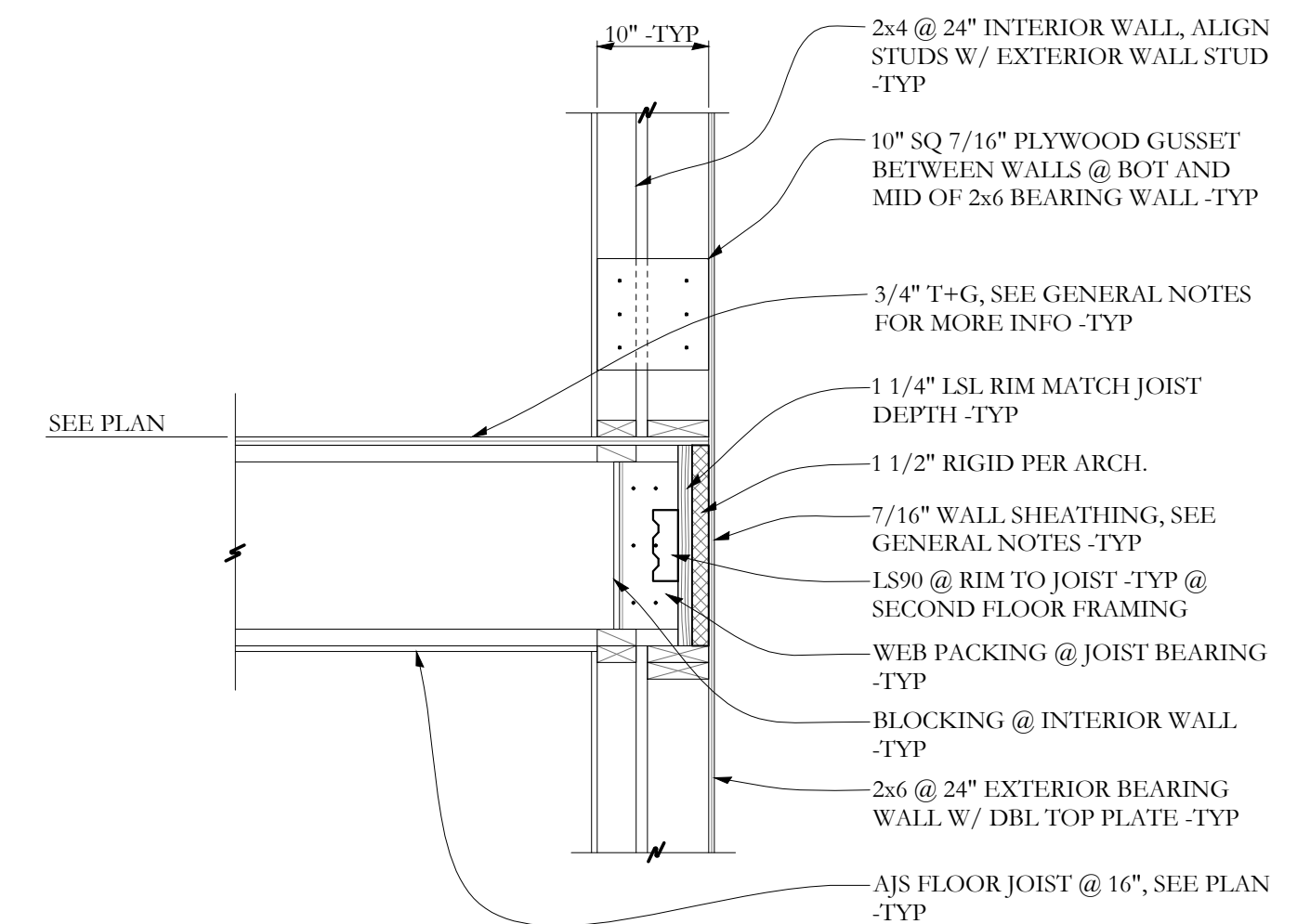
SECTION **E** S-2.1 3/4"=1'-0"



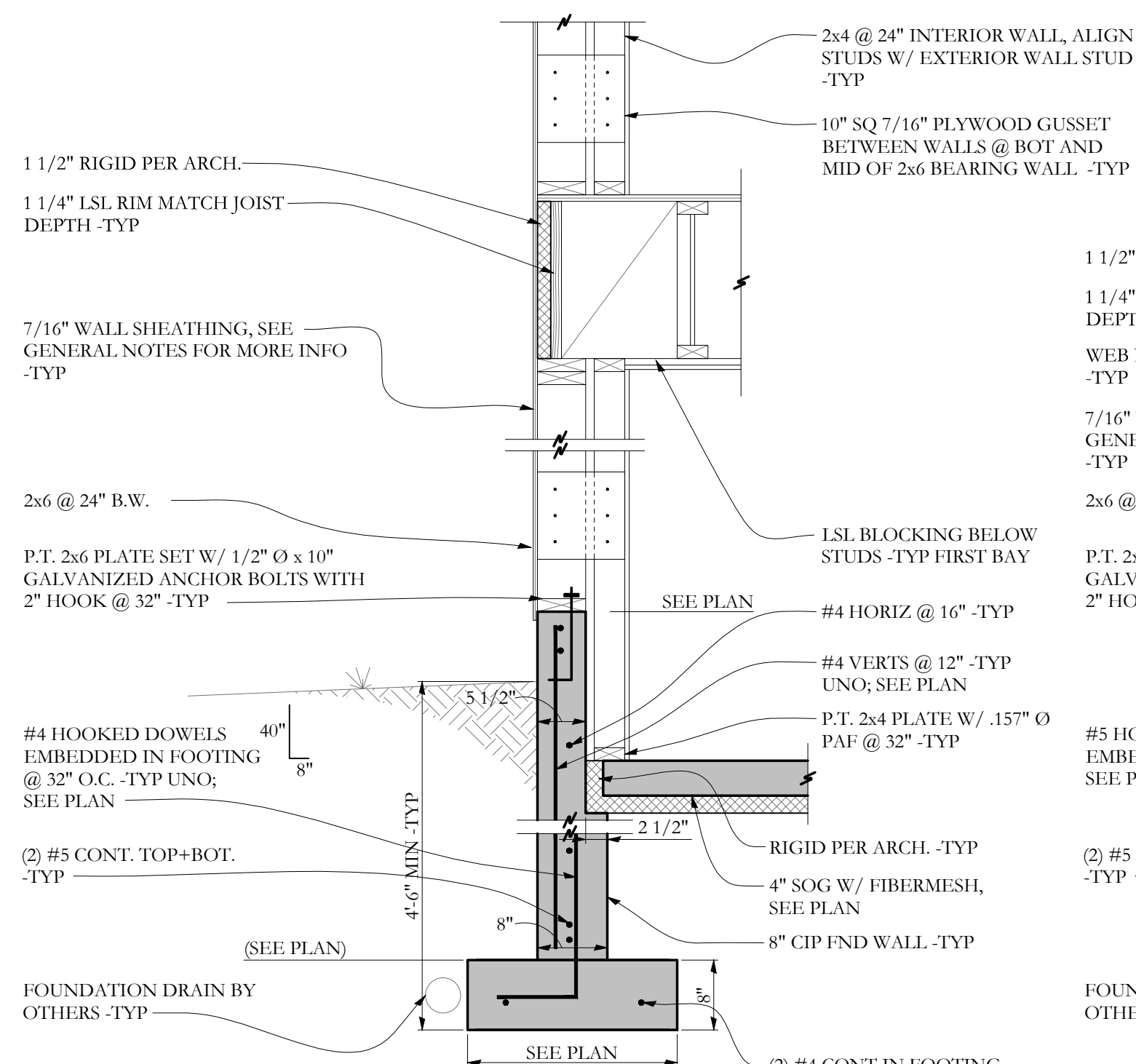
SECTION **F** S-2.1 3/4"=1'-0"



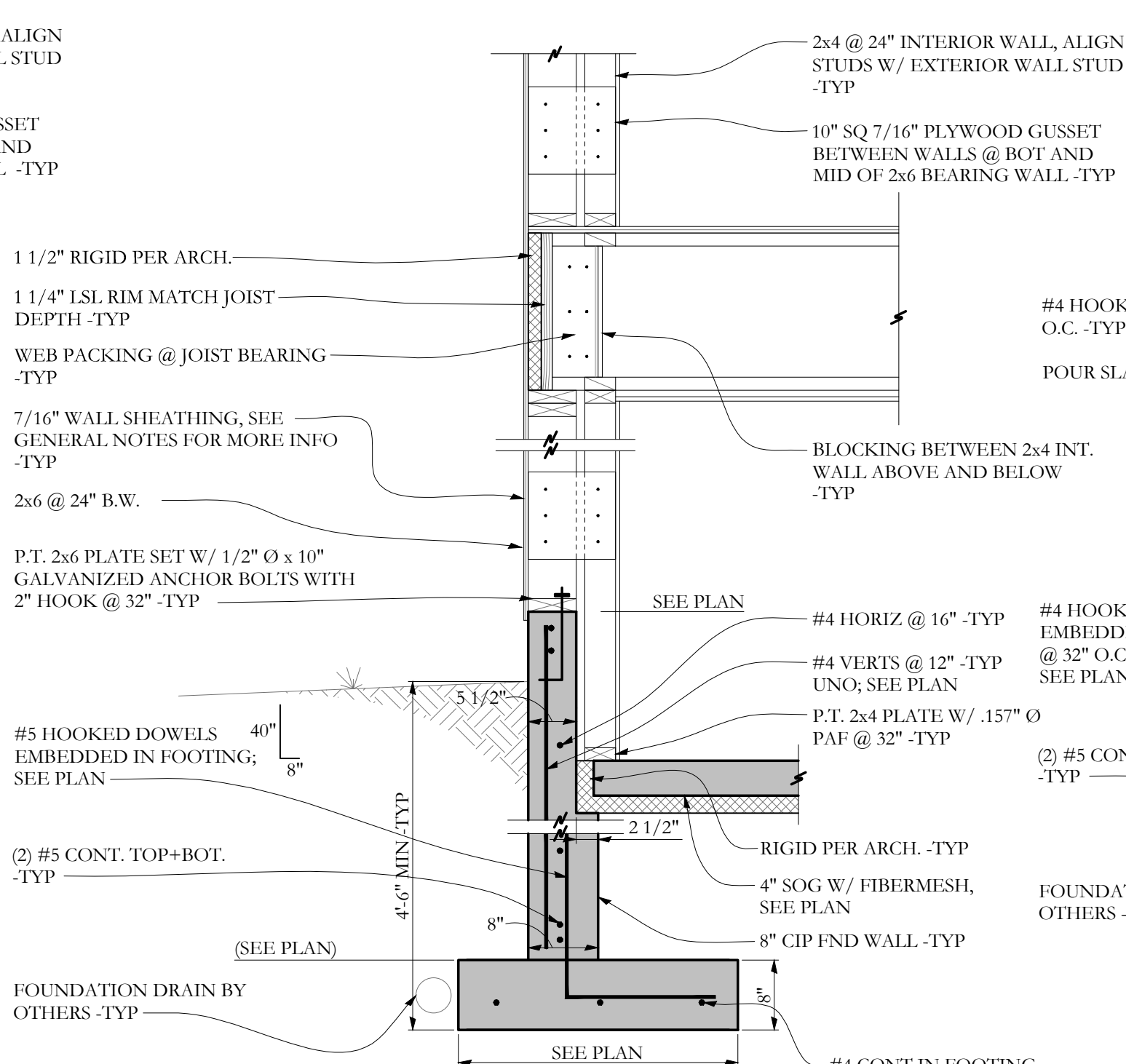
SECTION **G** S-2.1 3/4"=1'-0"



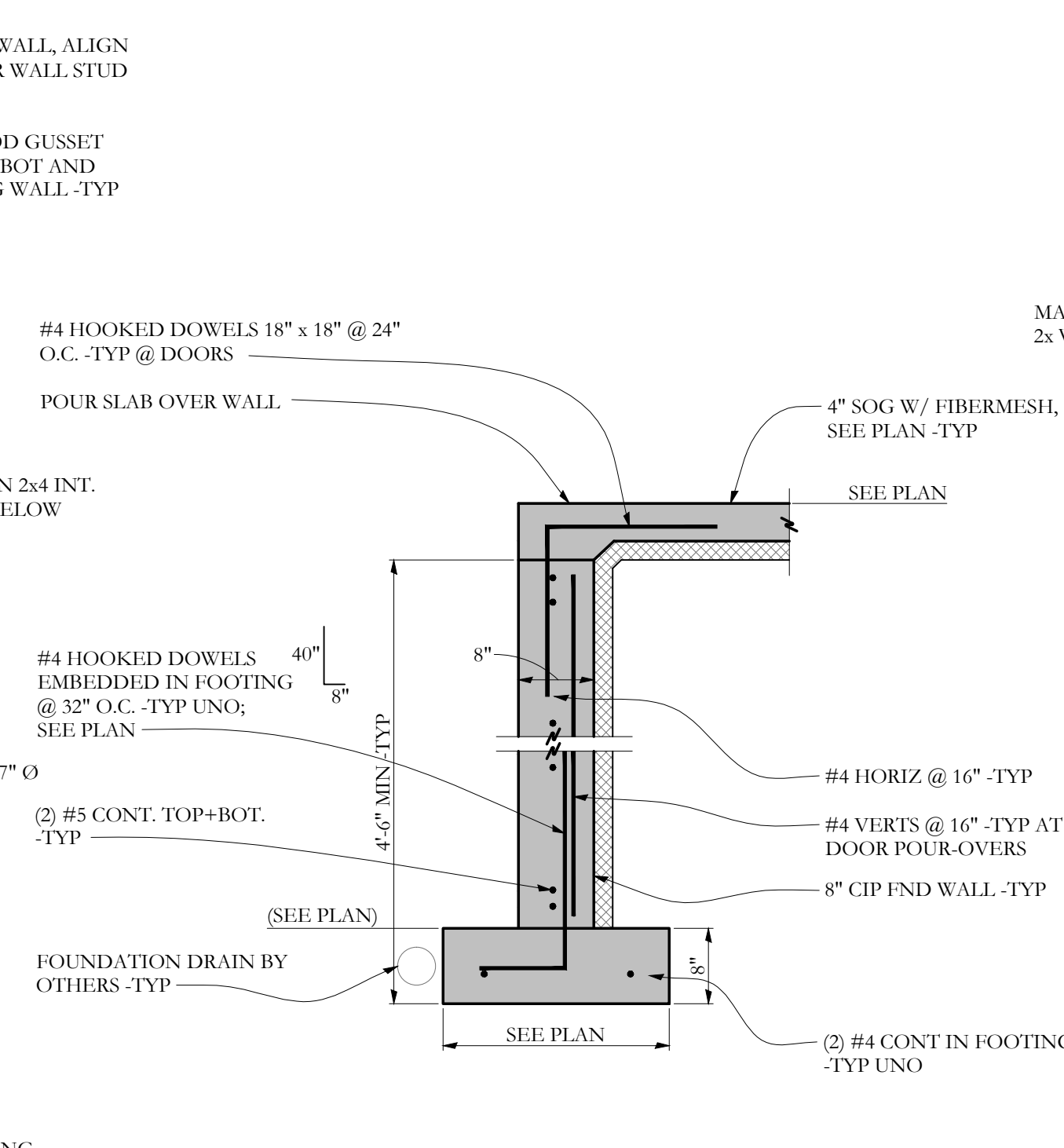
SECTION **H** S-2.1 3/4"=1'-0"



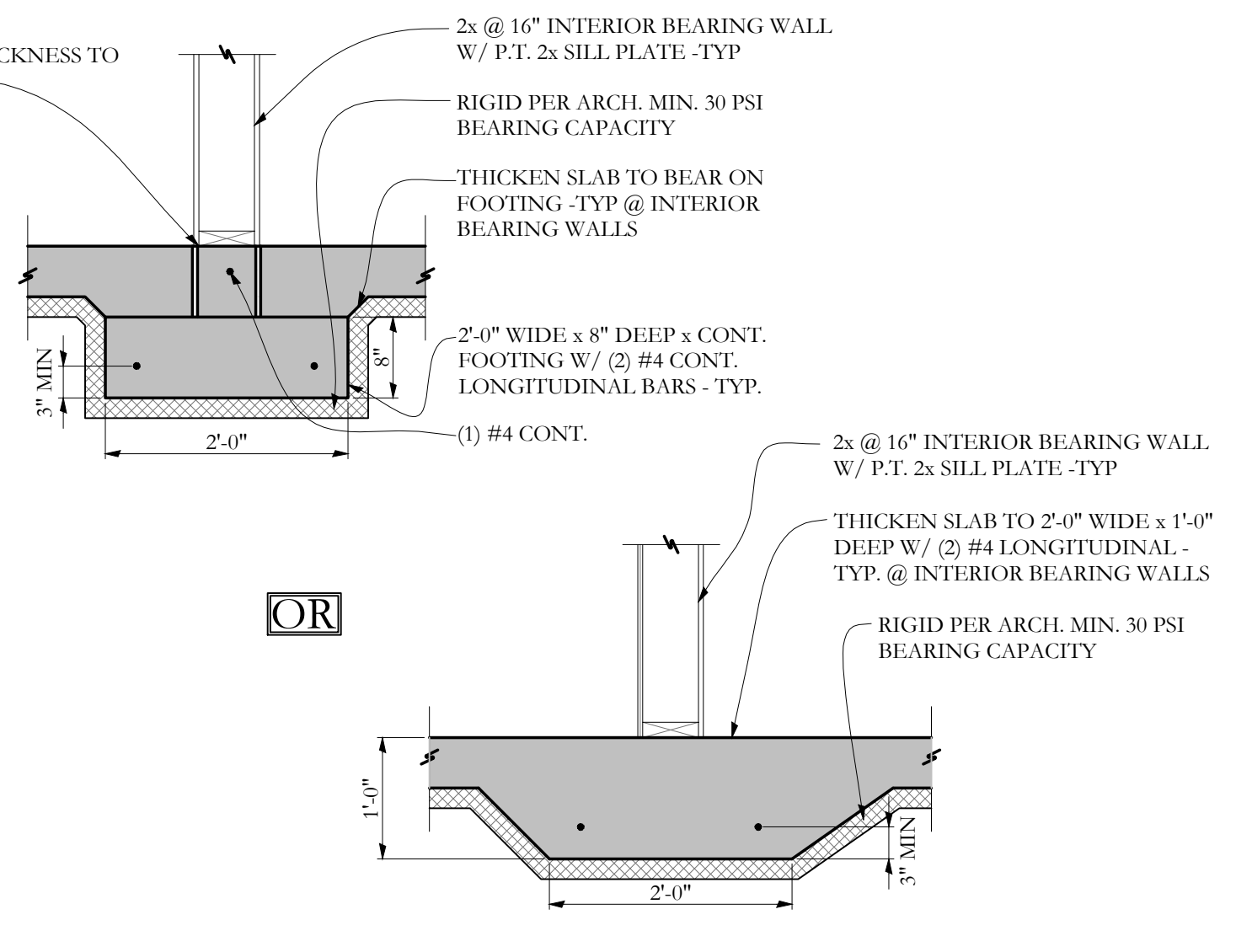
SECTION **A** S-2.1 3/4"=1'-0"



SECTION **B** S-2.1 3/4"=1'-0"



SECTION **C** S-2.1 3/4"=1'-0"



SECTION **D** S-2.1 3/4"=1'-0"

PROJECT NO:	16-0117
DATE:	11/29/16
DRAWN BY:	JCS
PHASE:	