

PROJECT:
NEW TWO-FAMILY
DWELLING

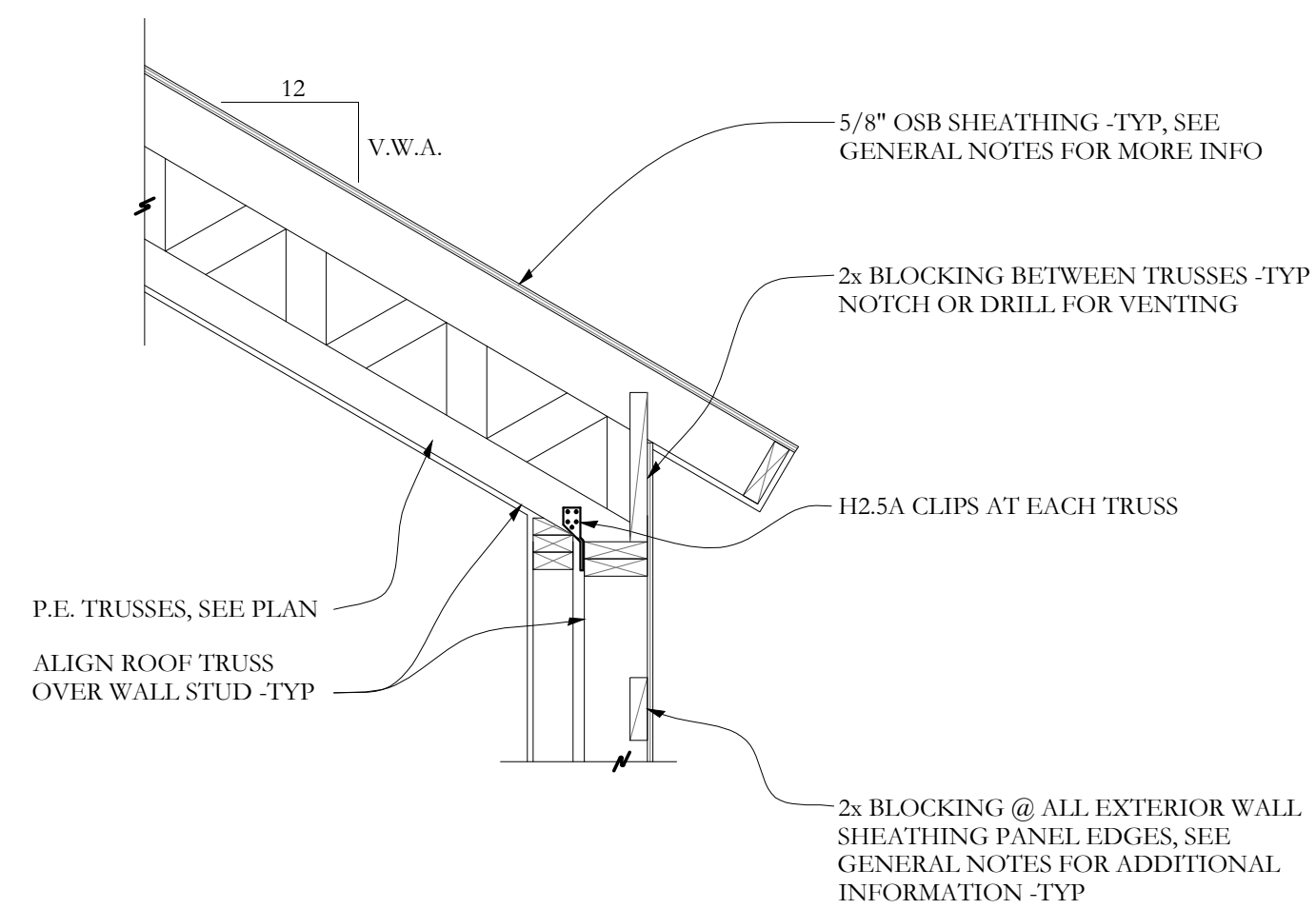
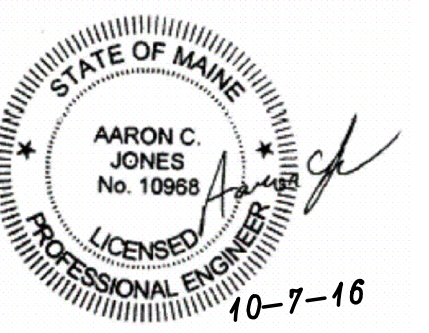
380 DANFORTH
PORTLAND ME 04101

STRUCTURAL :

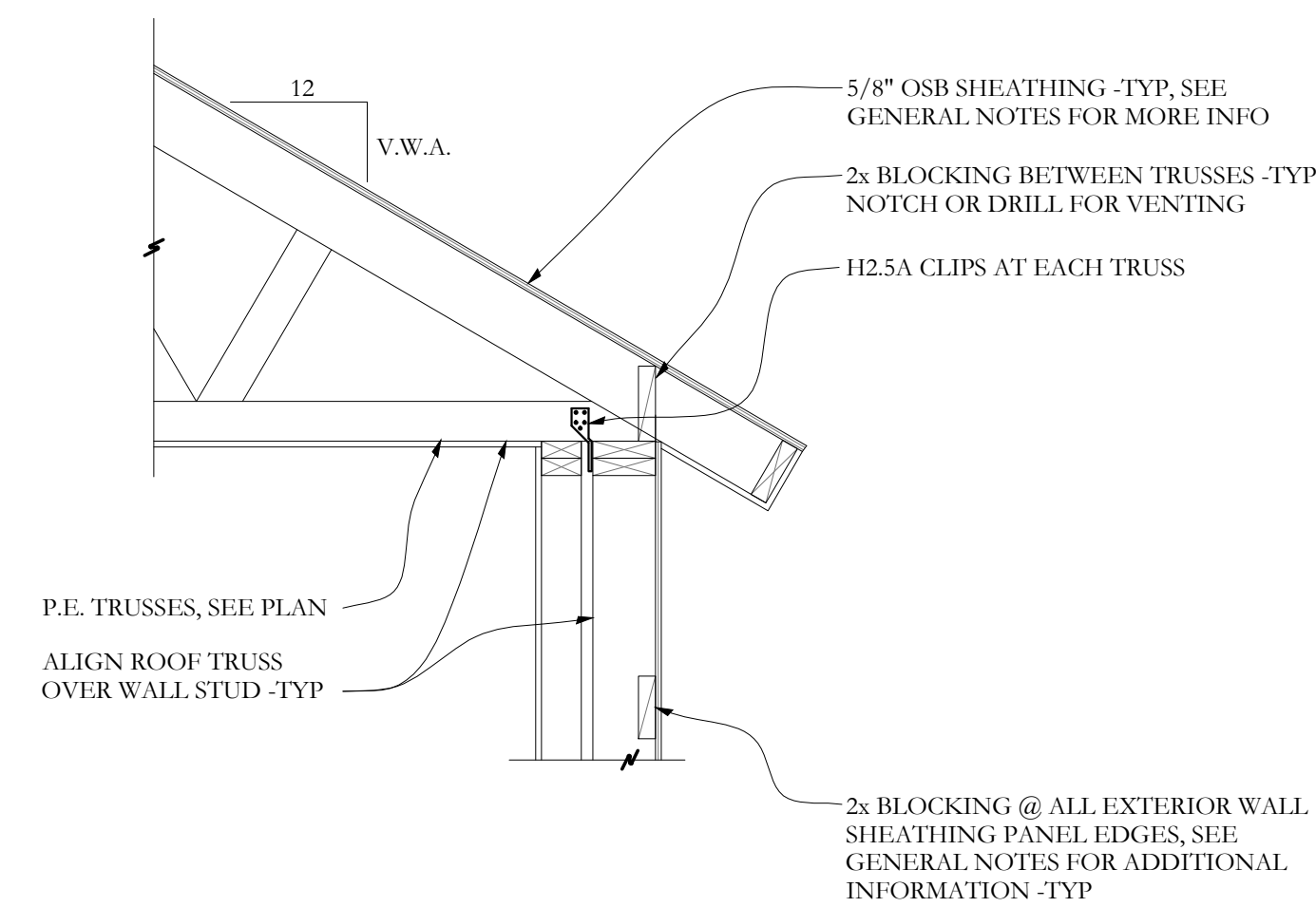
**Structural
Integrity**
Consulting Engineers

77 Oak Street
Portland, ME, 04101
p. 207-774-4614
f. 866-793-7835
www.structuralinteg.com

BUILD WITH CONFIDENCE
© 2006 Structural Integrity Consulting Engineers, Inc.



SECTION **N**
S-2.2 3/4"=1'-0



SECTION **P**
S-2.2 3/4"=1'-0

FOR PERMIT

PROJECT NO: 16-0117
DATE: 10/7/16
DRAWN BY: JCS
PHASE: PERMIT

SECTIONS

S-2.2