

# BECKER

structural engineers, inc.

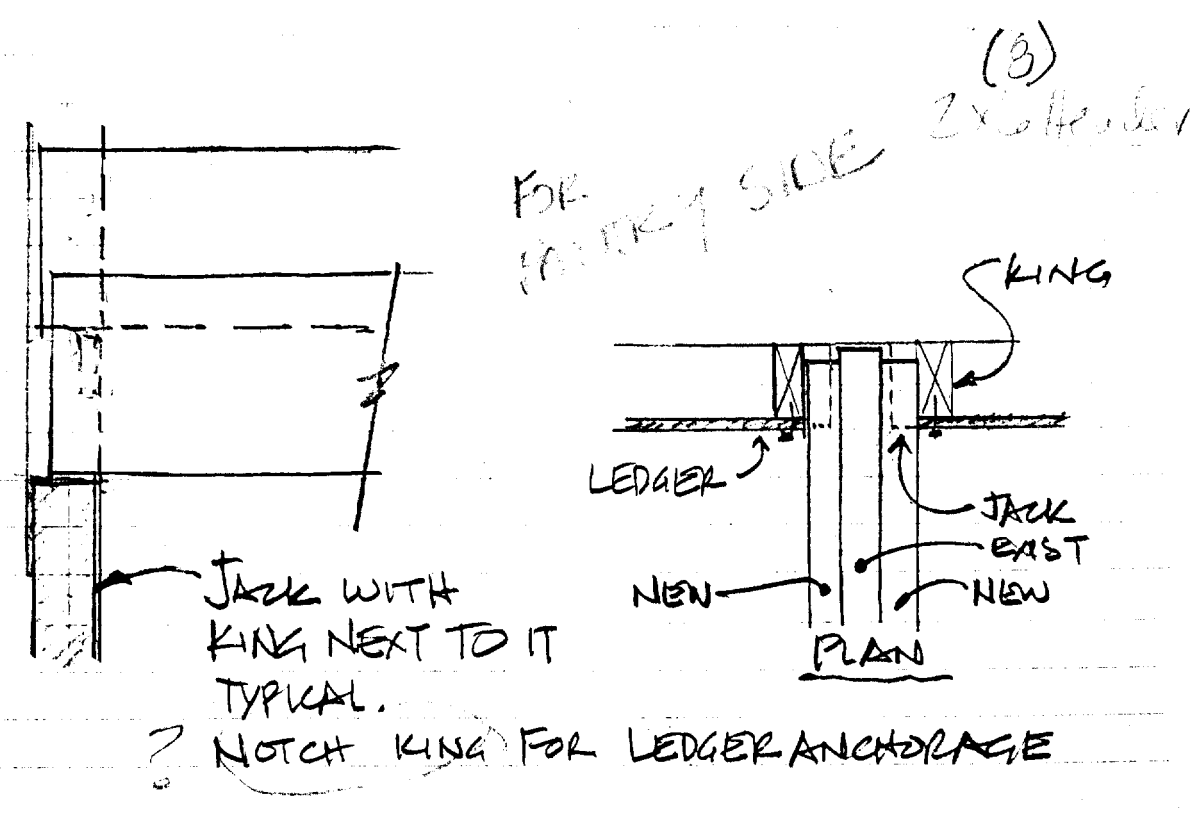
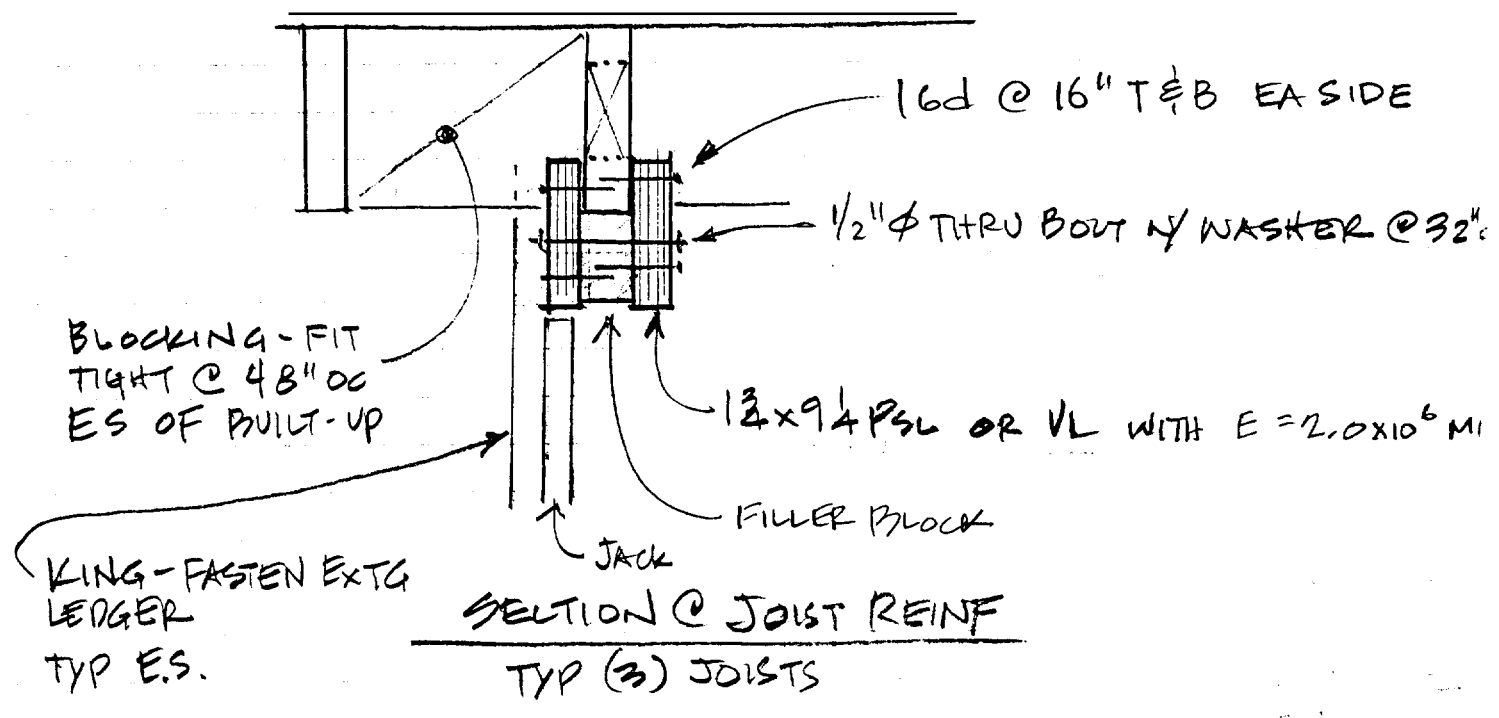
75 York Street, Portland, ME 04101-4550  
Tel. 207-879-1838 ■ Fax 207-879-1822

Project: BLOOMFIELD RESIDENCE

W.O. P2004-96 Sheet      Of     

Calculated By: PBB Date: 12.20.04

Checked By:      Date:     

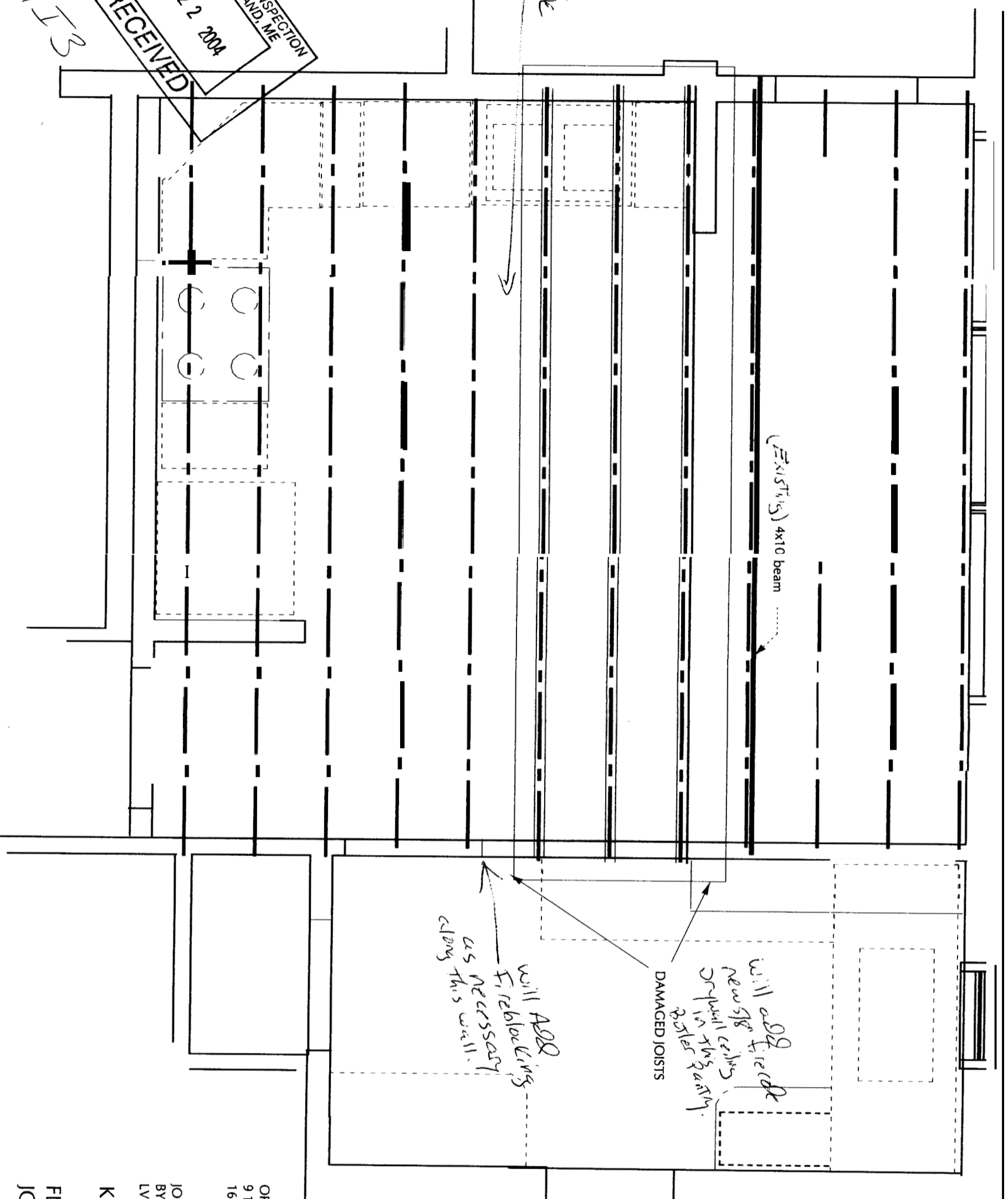




DEPT. OF BUILDING INSPECTION  
 CITY OF PORTLAND, ME  
 DEC 22 2004  
 RECEIVED

6/13

Will use  
 3/8" steel  
 fire code  
 for ceilings  
 on



ORIGINAL JOISTS -  
 9 1/2" x 2 ACTUAL @  
 16" OC

JOISTS SISTERED  
 BY (2) 1 3/4" x 9 1/4"  
 LVL's

KITCHEN

FLOOR PLAN SHOWING CEILING  
 JOISTS ABOVE - 1/2" = 1'-0"

DECEMBER 21, 2004  
 380 DANFORTH - BLOOMFIELD