

Clad Ultimate Double Hung - Next Generation 2.0

Unit Features

Clad Ultimate Double Hung Collection:

- Clad Ultimate Single Hung - Next Generation 2.0: CUSH-NG 2.0
- Clad Ultimate Double Hung - Next Generation 2.0: CUDH-NG 2.0
- Clad Ultimate Double Hung Picture - Next Generation 2.0: CUDHP-NG 2.0
- Clad Ultimate Double Hung Transom - Next Generation 2.0: CUDHT-NG 2.0
- Clad Ultimate Double Hung Bows and Bays - Next Generation 2.0: CUDHBB-NG 2.0
- Clad Ultimate Double Hung - Next Generation 2.0 IZ3: CUDH-NG 2.0 IZ3
- Clad Ultimate Double Hung Picture - Next Generation 2.0 IZ3: CUDHP-NG 2.0 IZ3
- Clad Ultimate Double Hung Transom - Next Generation 2.0 IZ3: CUDHT-NG 2.0 IZ3

NOTE: Clad Ultimate Double Hung Bows and Bays - Next Generation 2.0, Clad Ultimate Double Hung - Next Generation 2.0 IZ3, Clad Ultimate Double Hung Picture - Next Generation 2.0 IZ3, and Clad Ultimate Double Hung Transom - Next Generation 2.0 IZ3 are not available with CE mark.

Frame:

- Frame thickness:
 - 11/16" (17) thick at head and jambs
 - 1 13/32" (36) thick at sill
- Frame Width: 4 9/16" (116)

Sash:

- Operating / Stationary Sash (Single Hung, Double Hung, Transom):
 - Sash thickness: 1 3/4" (44), corner slot and tenoned
 - Top rail height: 2 13/32" (61)
 - Stiles width: 1 21/32" (42)
 - Bottom rail height (operating and stationary): 3 1/4" (83)
 - Bottom rail height (transom): 2 3/4" (70)
- Stationary Picture Sash:
 - Sash thickness: 1 3/4" (44), corner slot and tenoned
 - Top rail height: 2 13/32" (61)
 - Stile width: 2 13/32" (61)
 - Bottom rail height: 3 1/4" (83)
- Standard exterior cope profile: Putty
- Standard interior wood cope sticking: Ogee
- Optional interior wood cope sticking: Square

Glass and Glazing:

- Glazing method: Insulating
- Glazing seal: Silicone glazed
- Standard glass is 7/8" (22) insulating Low E2 Argon or air
- Optional glass types: Low E3 Argon or air, Low E1 Argon or air, Laminated, Tempered, Obscure, Bronze tint, Gray tint, Green tint, Reflective Bronze and decorative glass options
- Optional Tripane glass types: Low E1/E1 Argon or Krypton-Argon, Low E2/E2 Argon or Krypton-Argon, Low E3/E1 Argon or Krypton-Argon
- Glazing will be altitude adjusted for higher elevations, Argon, Argon-Krypton, and Krypton gas not included
- StormPlus IZ3 has annealed exterior pane is default with the option to temper
- CUDHP-NG 2.0 IZ3 product requires tempered glass on units above a glass square footage of 33.1.

NOTE: Egress may be affected when selecting specialty glass, please contact your Marvin representative

Clad Ultimate Double Hung - Next Generation 2.0

Unit Features

Insect Screens:

- Standard screen frame is roll formed aluminum
- Aluminum screen: Full screen standard, half screen optional
- Aluminum surround to match exterior frame clad color
- Units with a glass height of 20" (508) or greater will have a center cross bar
- Screen mesh:
 - Standard: Charcoal Fiberglass
 - **Optional: Charcoal High Transparency Fiberglass Mesh, Charcoal Aluminum Wire, Black Aluminum Wire, Bright Aluminum Wire, or Bright Bronze Aluminum Wire**
 - Optional Double Hung Magnum screen, extruded aluminum

Retractable Screen:

- Screen and its associated hardware shall fit within a 4 9/16" frame, minimal exposure and shall not interfere with common window dressings
- Pull bar will protrude beyond the interior 4 9/16" plane of the window
- Standard screen mesh: stiffened high transparency mesh
- Optional pull bar latch hardware shall be available in beige, white, or black
 - Standard for Bare/Non Finger-Jointed Pine shall be beige
 - Standard for Prime and Painted Interior Finish shall be white
 - Standard for Mahogany and Cherry wood species shall be black
 - Standard for stained finish of Wheat or Honey shall be beige
 - Standard for stained finish of Hazelnut, Leather, Espresso, Cabernet shall be black
 - Pull bar fin is available in beige or black
 - Mesh retention pile is available in white or black
 - The standard is black unless PIF, Prime or Bare is chosen

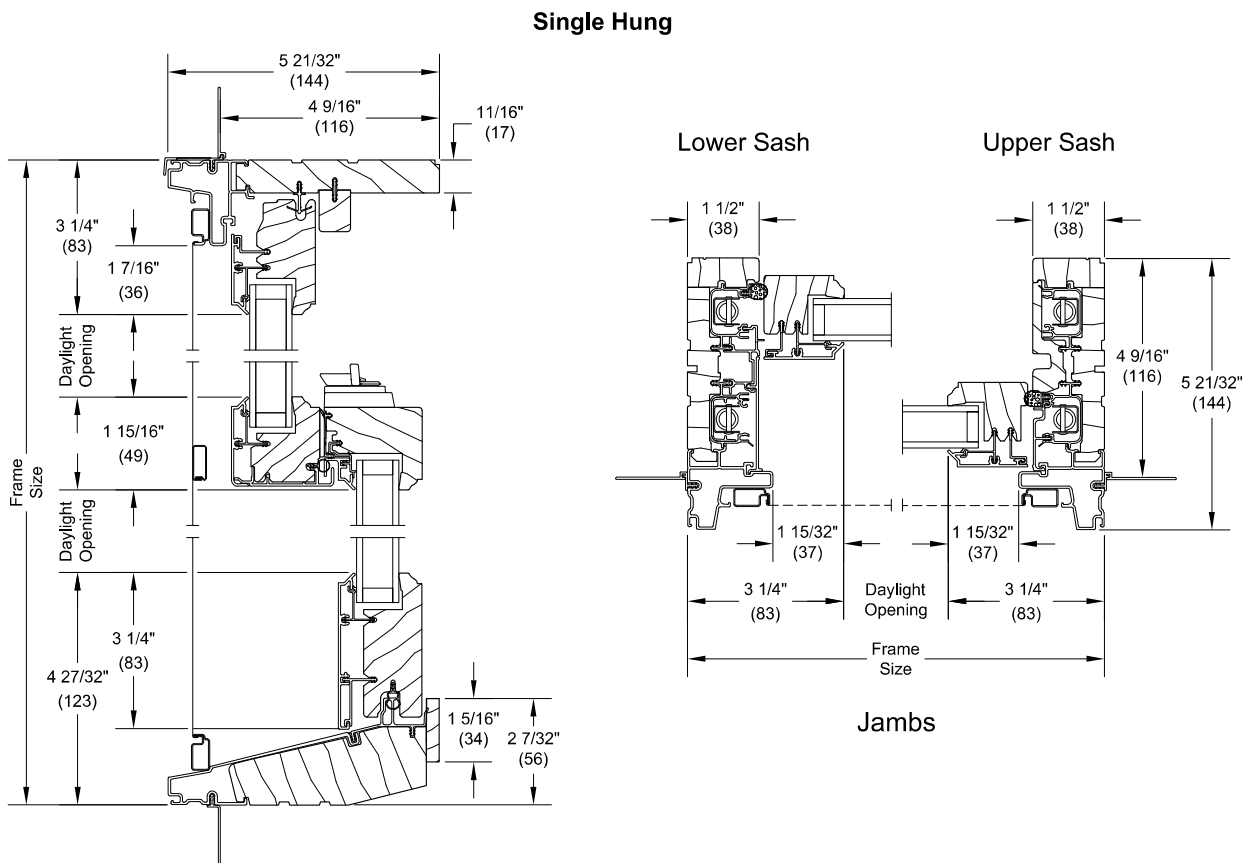
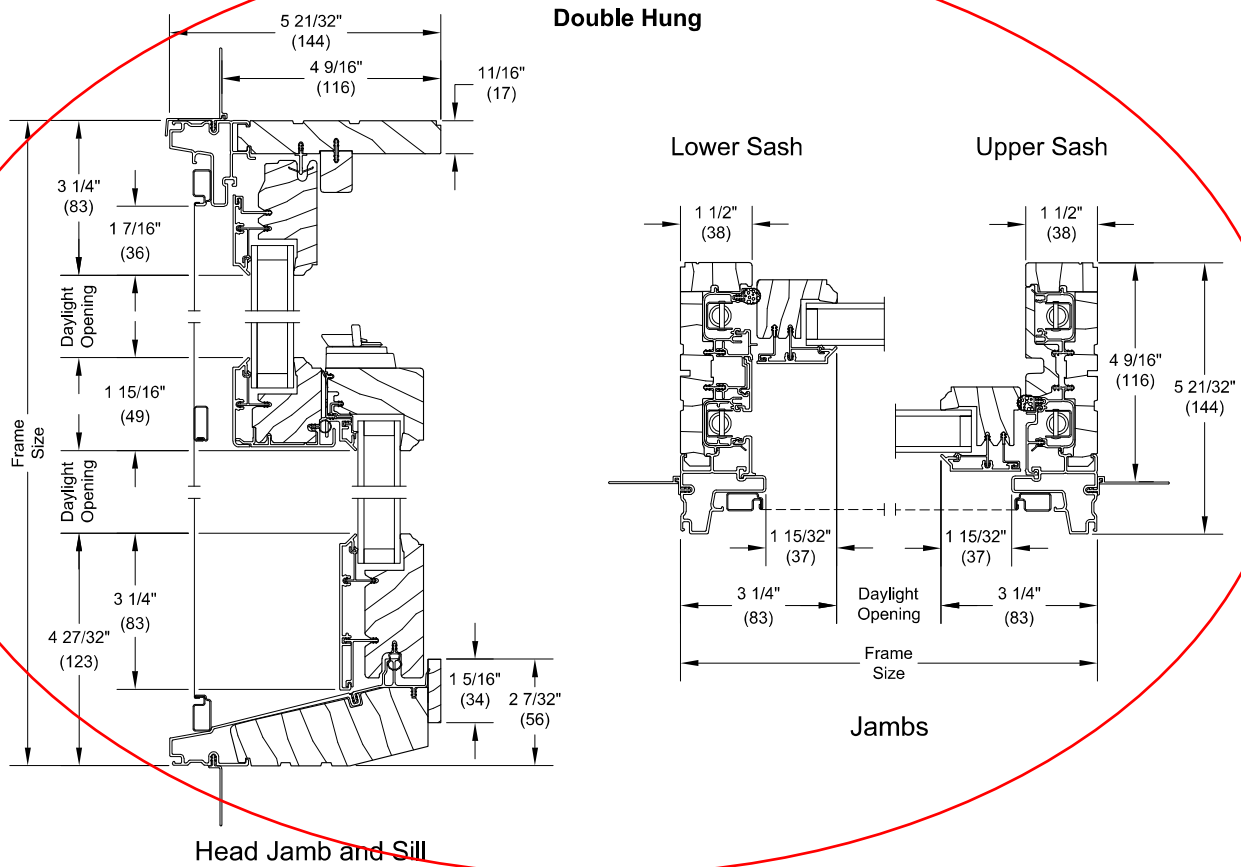
Combination Storm Sash and Screen:

- Frame: Extruded aluminum frame, .045"(1.1) thick. Color: Stone White, Bahama Brown, Pebble Gray and Evergreen
- Insect screen:
 - Standard Screen mesh: Charcoal Aluminum Wire
 - Optional screen material: Charcoal Fiberglass Mesh, Black Aluminum Wire, Bright Aluminum Wire, Bright Bronze Wire
Optional Charcoal High Transparency Fiberglass Mesh (CH Hi-Tran)
- Weather strip: Pile weather strip between operating panels and at stiles of main frame
- Hardware: Spring-loaded latches to secure storm panel
- Max size: 45 1/4" x 79 1/2" frame size

Clad Ultimate Double Hung - Next Generation 2.0

Section Details: Operating

Scale: 3" = 1' 0"

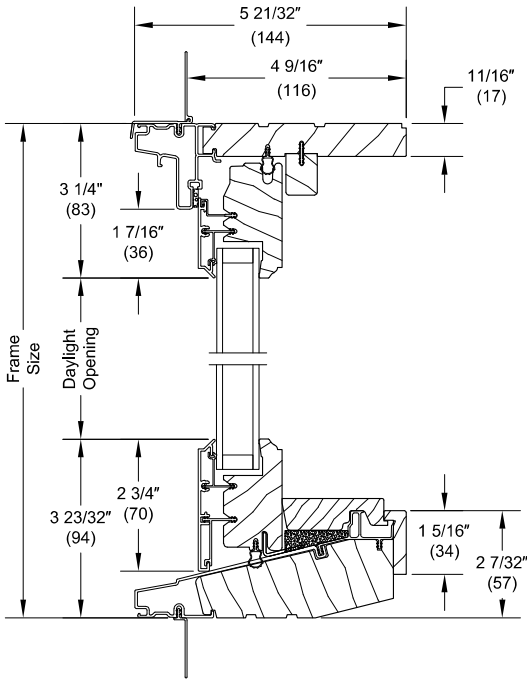


Clad Ultimate Double Hung - Next Generation 2.0

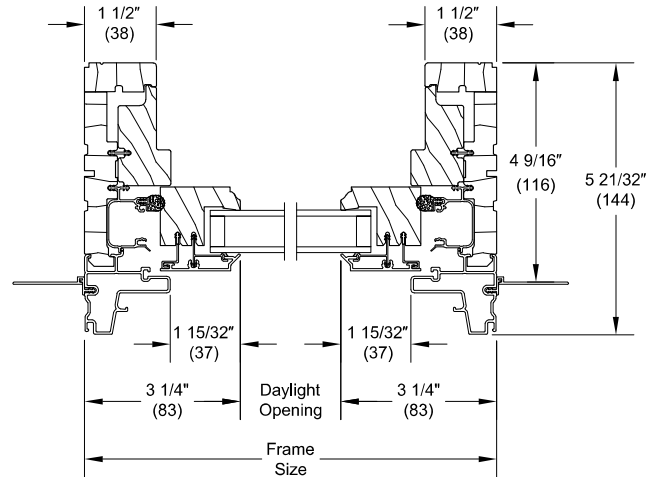
Section Details: Transom and Picture

Scale: 3" = 1' 0"

Transom

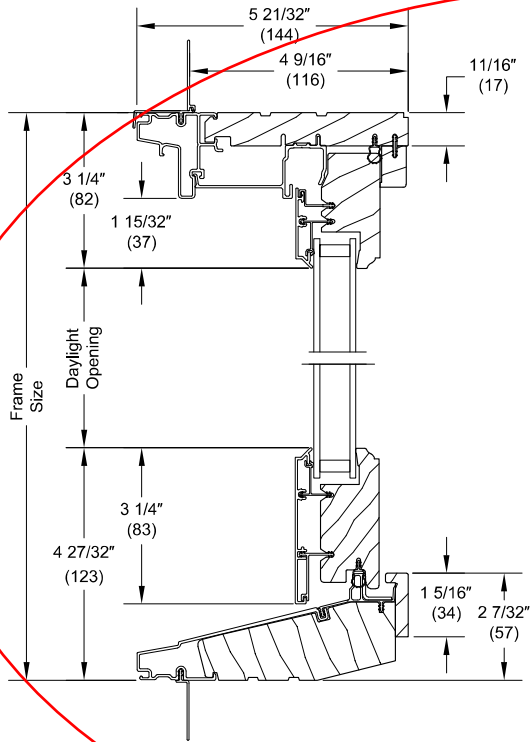


Head Jamb and Sill

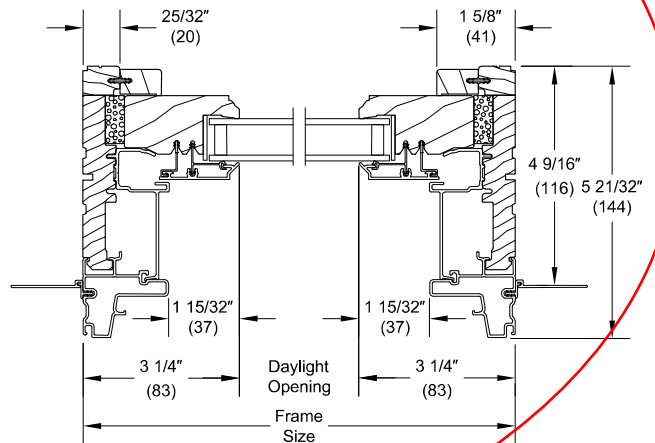


Jambs

Picture



Head Jamb & Sill



Jambs

Clad Ultimate Double Hung - Next Generation 2.0

Lite Options

