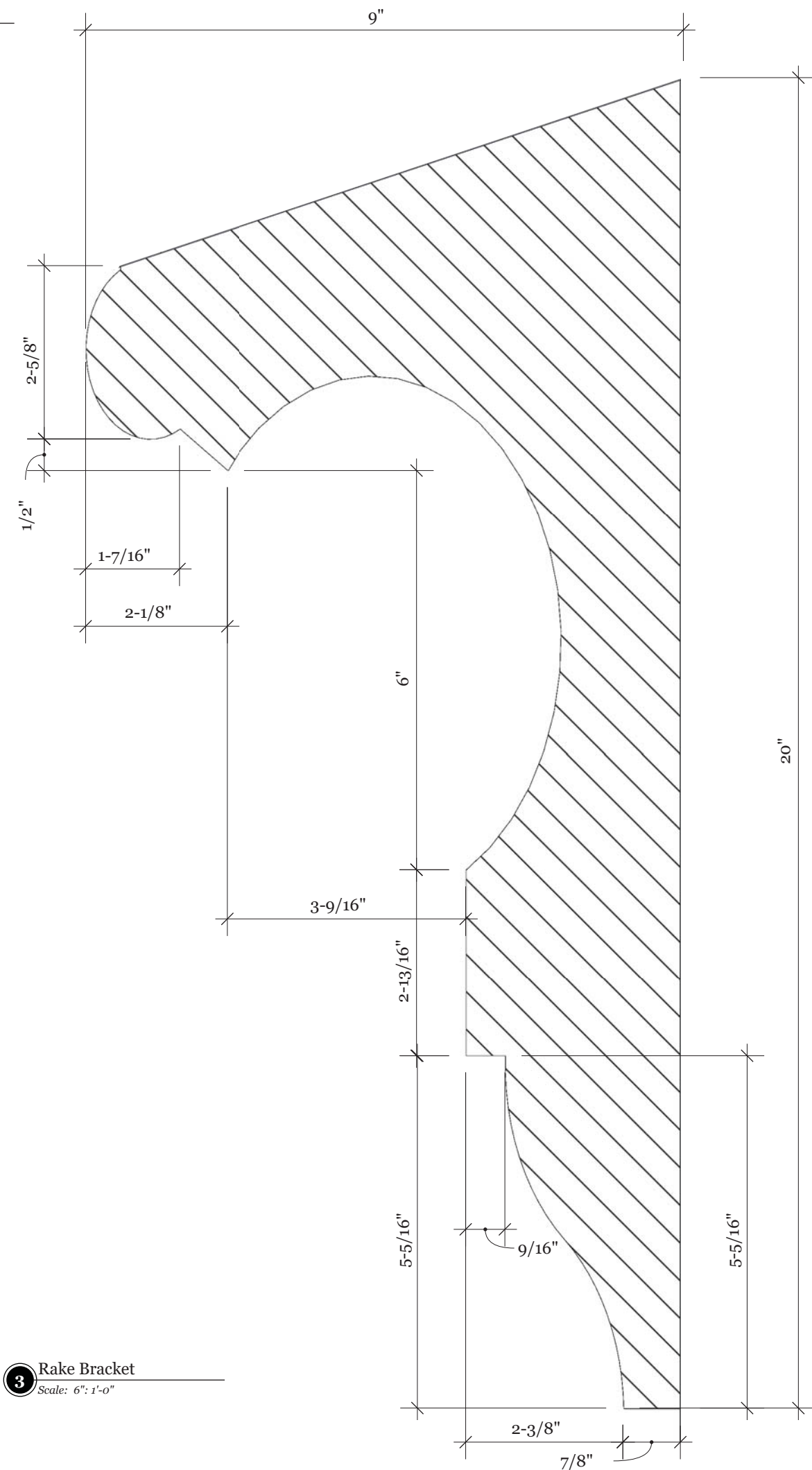
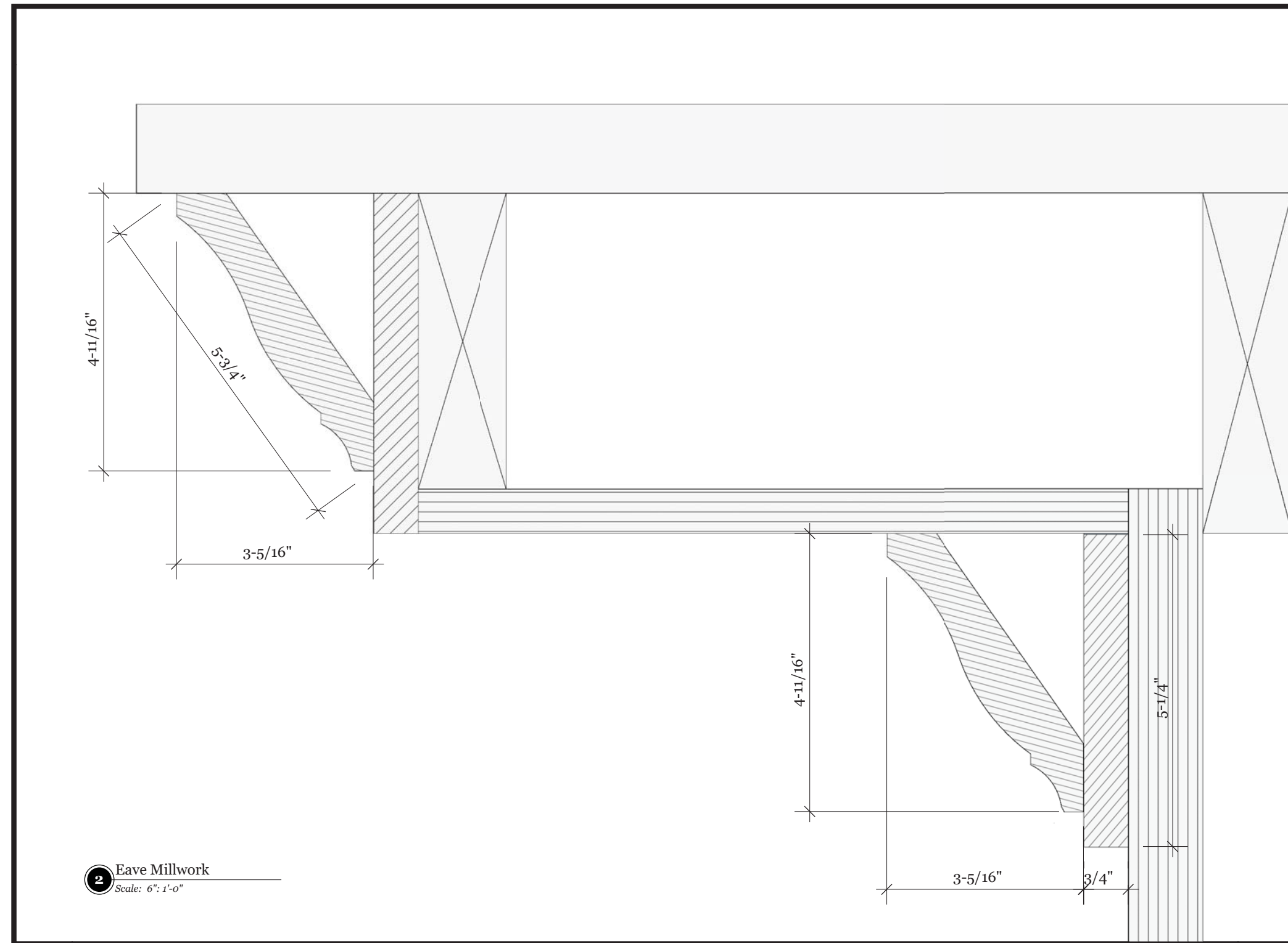


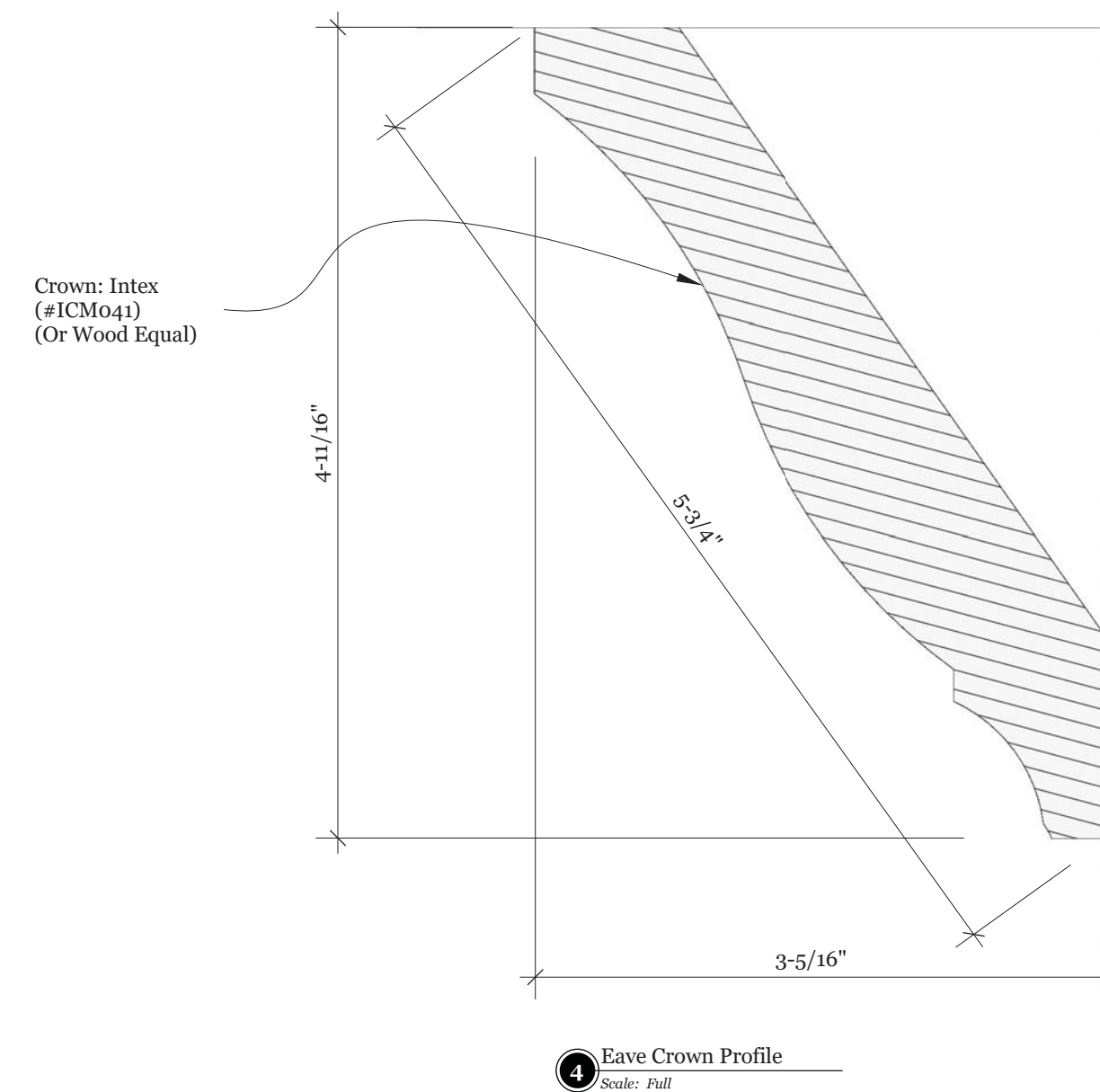
1 Corner Rake Bracket
Scale: 1/4" = 1'-0"



3 Rake Bracket
Scale: 6" = 1'-0"



2 Eave Millwork
Scale: 6" = 1'-0"



4 Eave Crown Profile
Scale: Full

PROJECT:

MURPHY STUDIO

REVISIONS:

NO: DATE: DESCRIPTION:

ISSUED TO:

1	10/20/16	PERMIT
2	3/9/18	BUILDER

SET:

FOR CONSTRUCTION

DRAWING DATE: SCALE:

3/9/18 NOTED

DRAWN BY: REVIEWED BY:

MV, IC, KC IC, MV

DRAWING TITLE:

Exterior Millwork
Details

DRAWING NO:

A-7.5