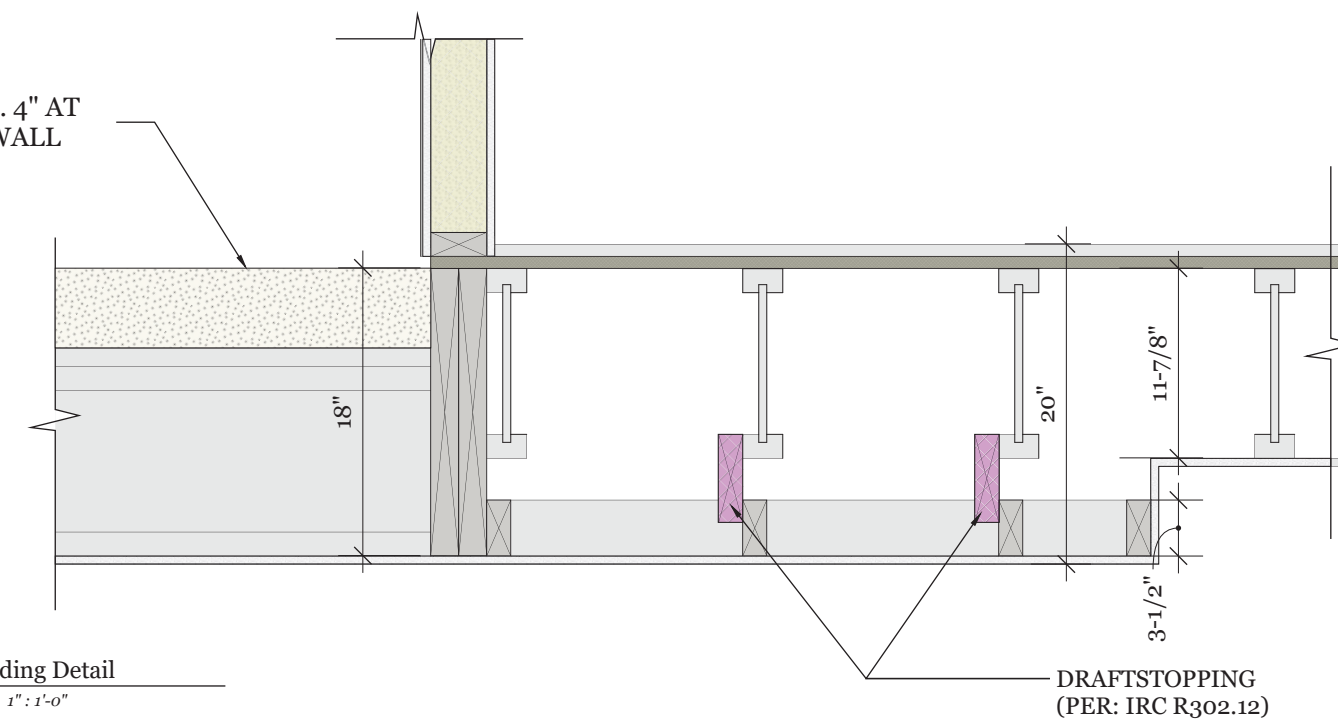


GARAGE SLAB PITCH TO DRAIN. 4" AT GARAGE DOOR, 6"-7" AT BACK WALL



DRAIN TRENCH TO SITE DRAINAGE AT GARAGE DOOR

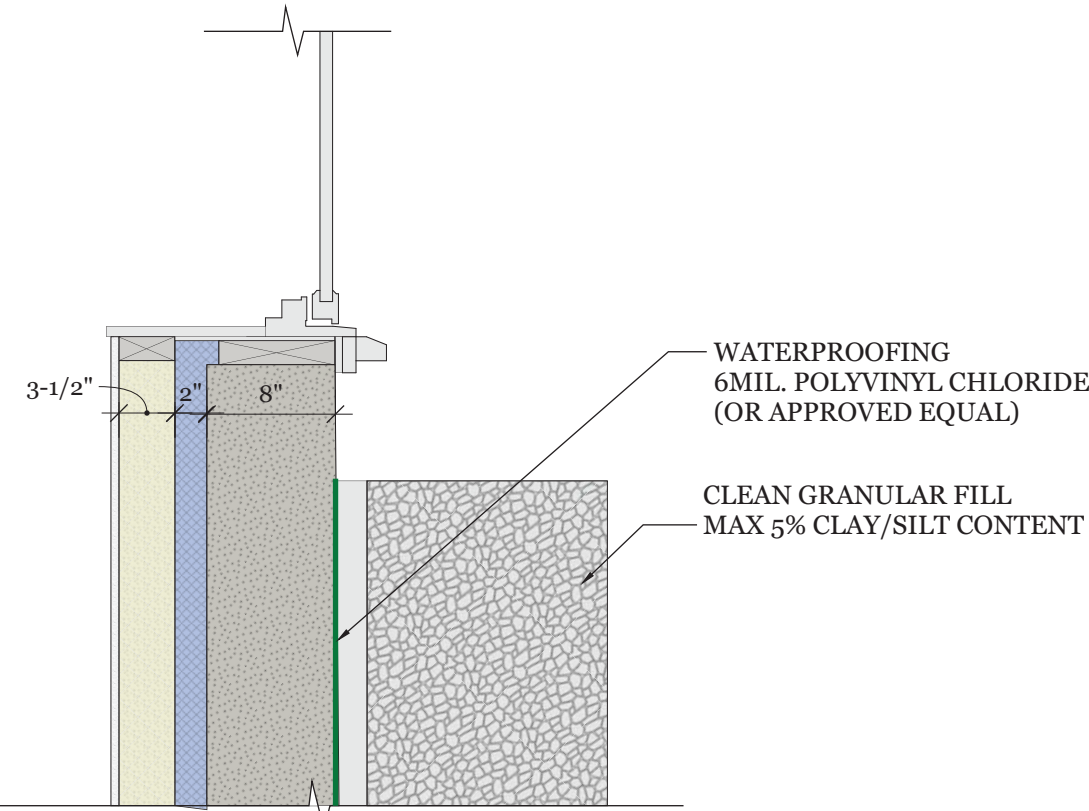
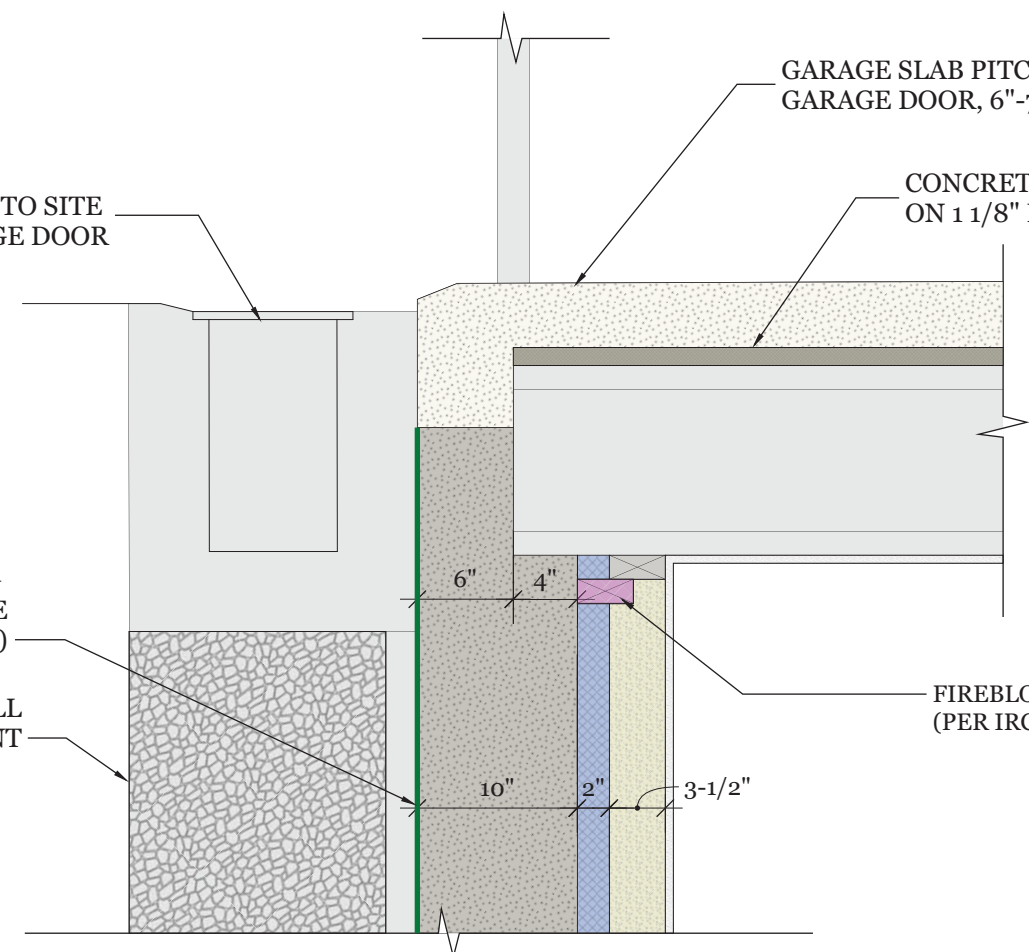
GARAGE SLAB PITCH TO DRAIN. 4" AT GARAGE DOOR, 6"-7" AT BACK WALL

CONCRETE ON WATERPROOFING ON 1 1/8" PLYWOOD ON JOISTS

WATERPROOFING 6MIL. POLYVINYL CHLORIDE (OR APPROVED EQUAL)

CLEAN GRANULAR FILL MAX 5% CLAY/SILT CONTENT

FIREBLOCKING (PER IRC R302.11)

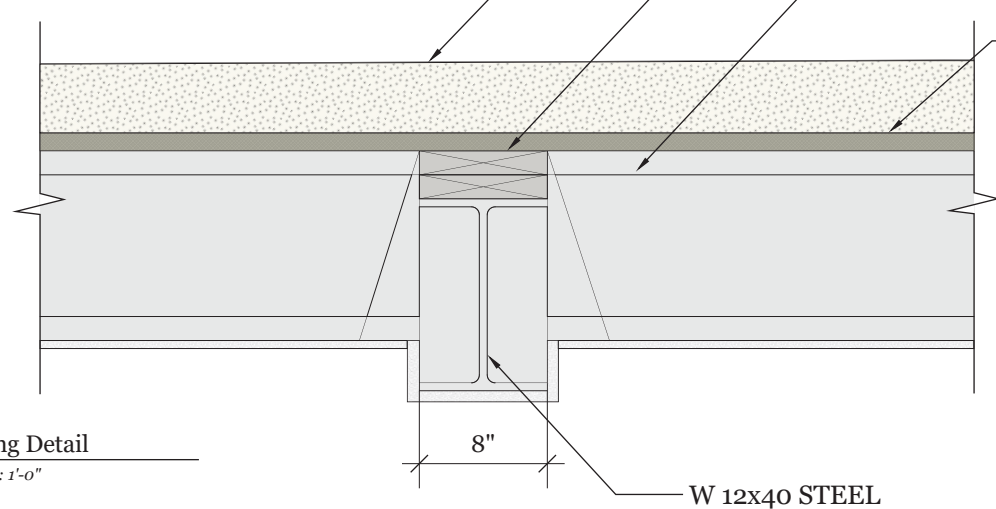


GARAGE SLAB PITCH TO DRAIN. 4" AT GARAGE DOOR, 6"-7" AT BACK WALL

2-2x NAILERS FULL WIDTH OF STL. BM. (8") 1/2" BOLTS 24" OC STAGGERED

2x4 WEB STIFFENERS EACH SIDE (3) 16D NAILS, CLAMP 2x4s WHILE NAILING

CONCRETE ON WATERPROOFING ON 1 1/8" PLYWOOD ON JOISTS



1/2" GYPSUM WALL BOARD; HOLD UP FROM FLOOR 1/2" MINIMUM

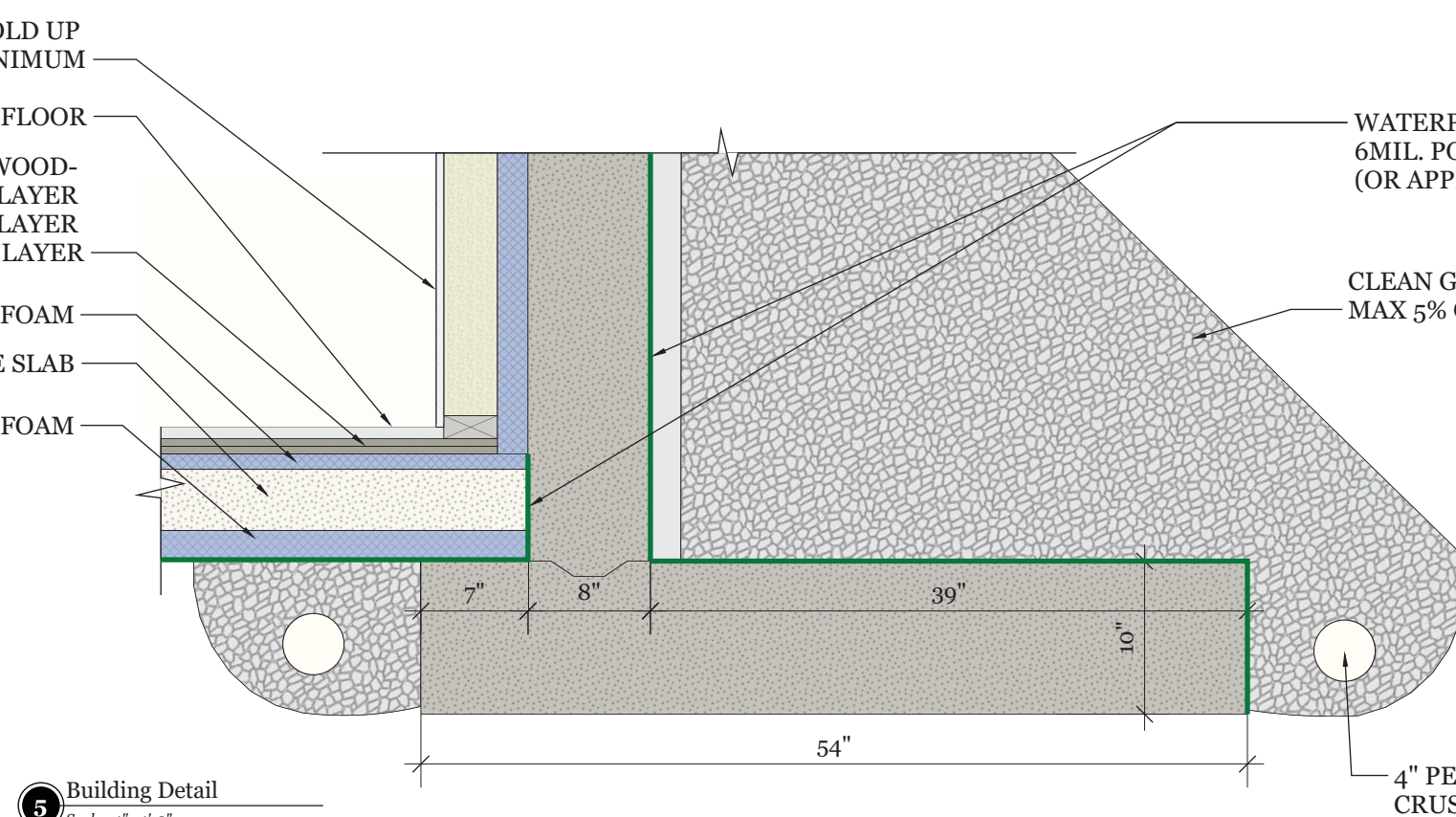
FINISHED FLOOR

(2) LAYERS OF 1/2" PLYWOOD-MECHANICALLY FASTEN FIRST LAYER TO SLAB; SECOND LAYER GLUED/SCREWED TO FIRST LAYER

1" FOAM

CONCRETE SLAB

2" RIGID FOAM



PROJECT:

MURPHY STUDIO

REVISIONS:

NO: DATE: DESCRIPTION:

ISSUED TO:

1	10/20/16	PERMIT
2	3/9/18	BUILDER

SET:

FOR CONSTRUCTION

DRAWING DATE:

3/9/18

SCALE:

1"=1'-0"

DRAWN BY:

MV, IC, KC

REVIEWED BY:

IC, MV

DRAWING TITLE:

Details

DRAWING NO:

A-7.3