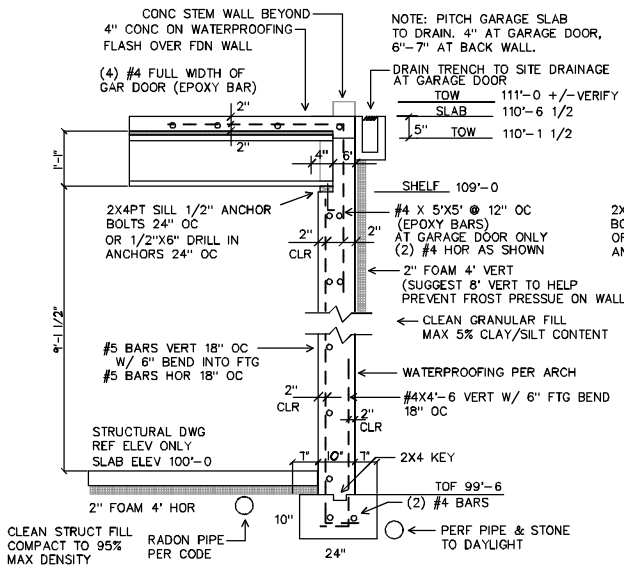
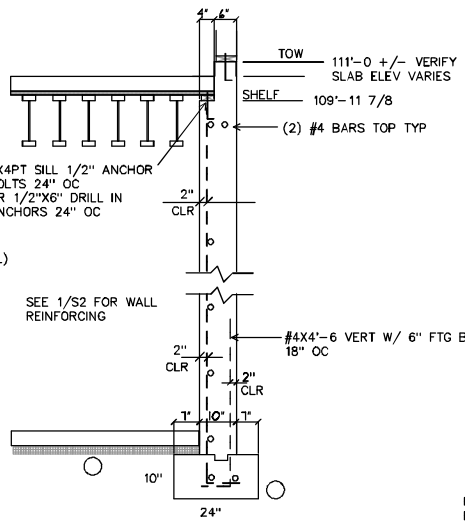


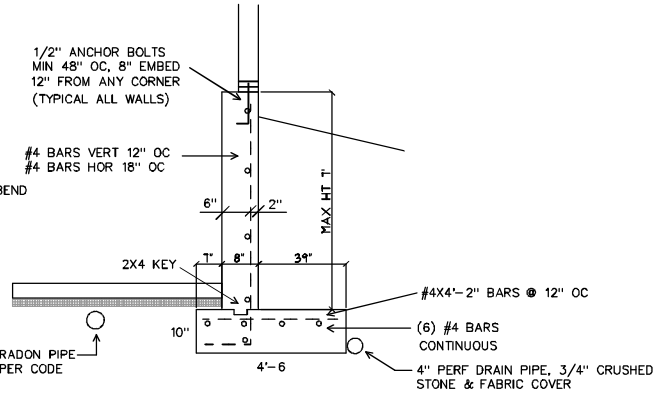
**\*\*ONLY BACKFILL 1/2 HT BEFORE GARAGE LEVEL FLOOR SYSTEM IN PLACE**



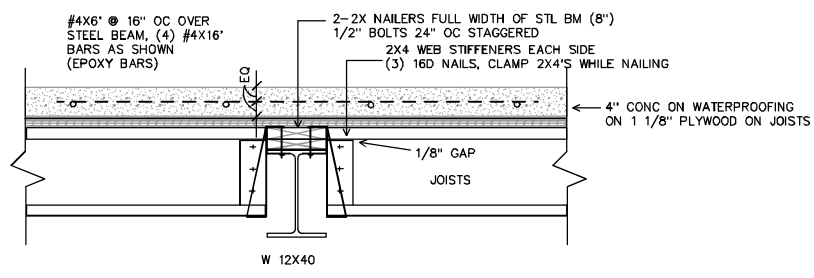
1 10" FDN WALL AT GARAGE DOOR WALL



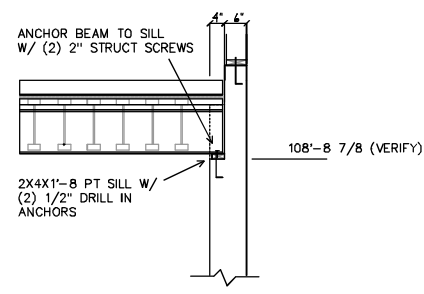
2 10" SIDE WALL DETAIL



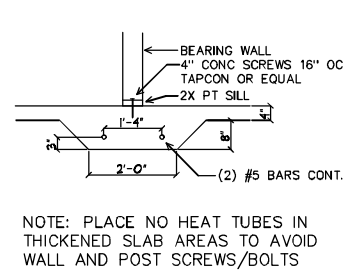
3 8" FDN WALL W/ STUD WALL



4 GARAGE FLOOR STEEL BEAM



5 STEEL BEAM POCKET



6 THICKENED SLAB DETAIL

NO.	REVISIONS

**Civil & Structural Design**  
 Ready D. Scamler, P.E.  
 121 Western Road  
 Warren, ME 04864  
 207-713-3021  
 FAX 207-713-3021  
 © COPYRIGHT 2017



Ready D. Scamler

**MURPHY GARAGE**

DRAWN :	CHECKED :
RDS	RDS
DATE :	10/12/11
SCALE :	1/4" = 1'-0"
JOB NO. :	2011049
SHEET	

C:\CAD\2011\049\MURPHY GARAGE\MURPHY GARAGE.DWG