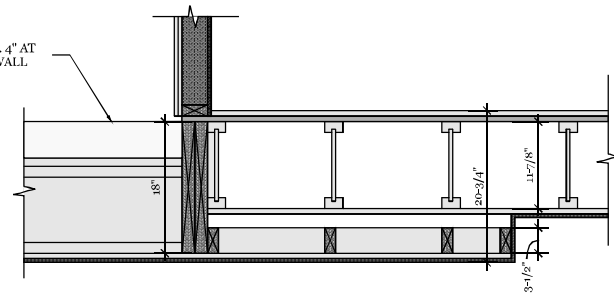
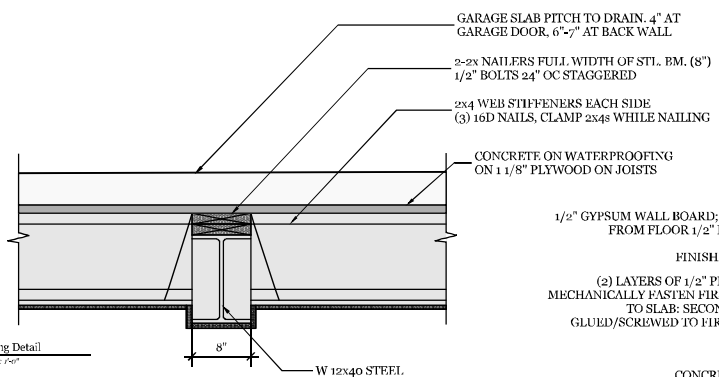


1 Building Detail  
Scale: 1" = 1'-0"

GARAGE SLAB PITCH TO DRAIN. 4" AT GARAGE DOOR, 6"-7" AT BACK WALL

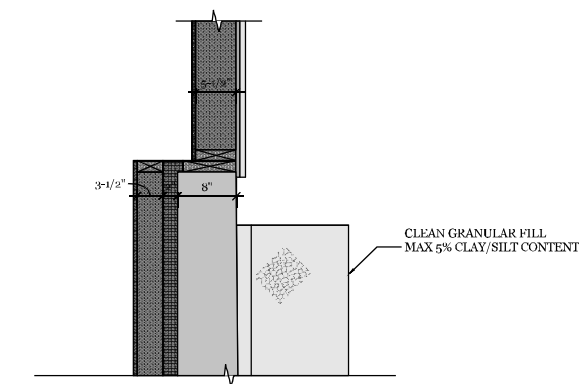


3 Building Detail  
Scale: 1" = 1'-0"



2 Building Detail  
Scale: 1" = 1'-0"

1/2" GYPSUM WALL BOARD; HOLD UP FROM FLOOR 1/2" MINIMUM



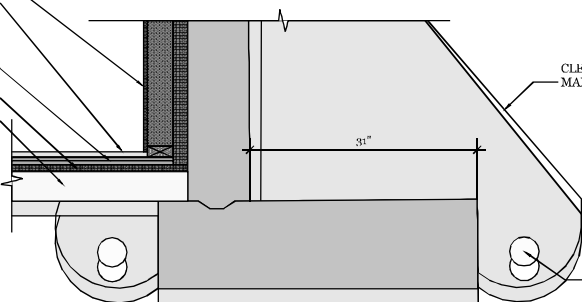
4 Building Detail  
Scale: 1" = 1'-0"

FINISHED FLOOR

(2) LAYERS OF 1/2" PLYWOOD-MECHANICALLY FASTEN FIRST LAYER TO SLAB; SECOND LAYER GLUED/SCREWED TO FIRST LAYER

1" FOAM

CONCRETE SLAB



5 Building Detail  
Scale: 1" = 1'-0"

PROJECT:

MURPHY STUDIO

REVISIONS:  
NO. DATE DESCRIPTION

ISSUED TO:  
1 10/20/16 PERMIT

SET: PERMIT

DRAWING DATE: 10/25/17 SCALE: 1"=1'-0"

DRAWN BY: MV, IC REVIEWED BY: IC, MV

DRAWING TITLE: Details

DRAWING NO: A-7.3