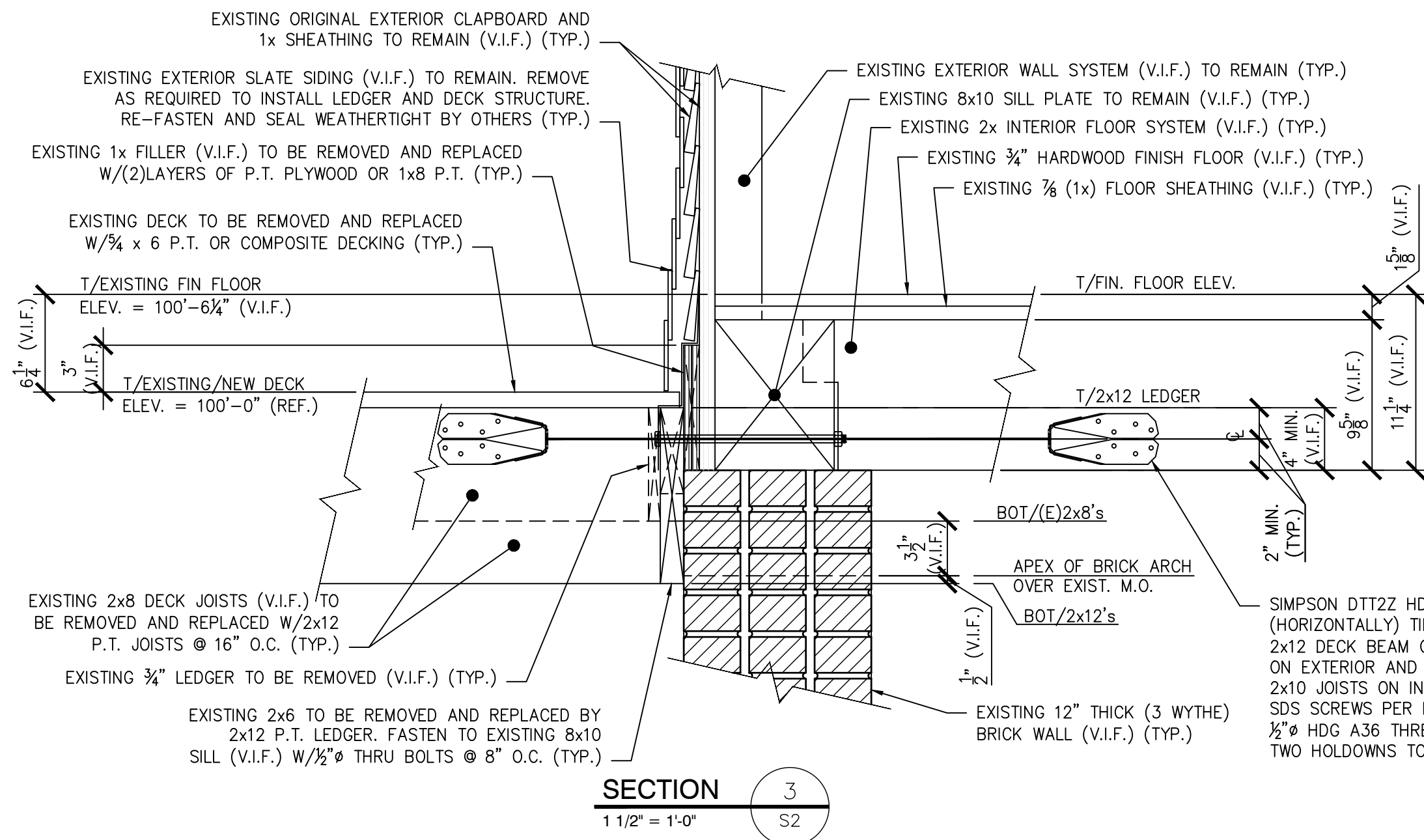
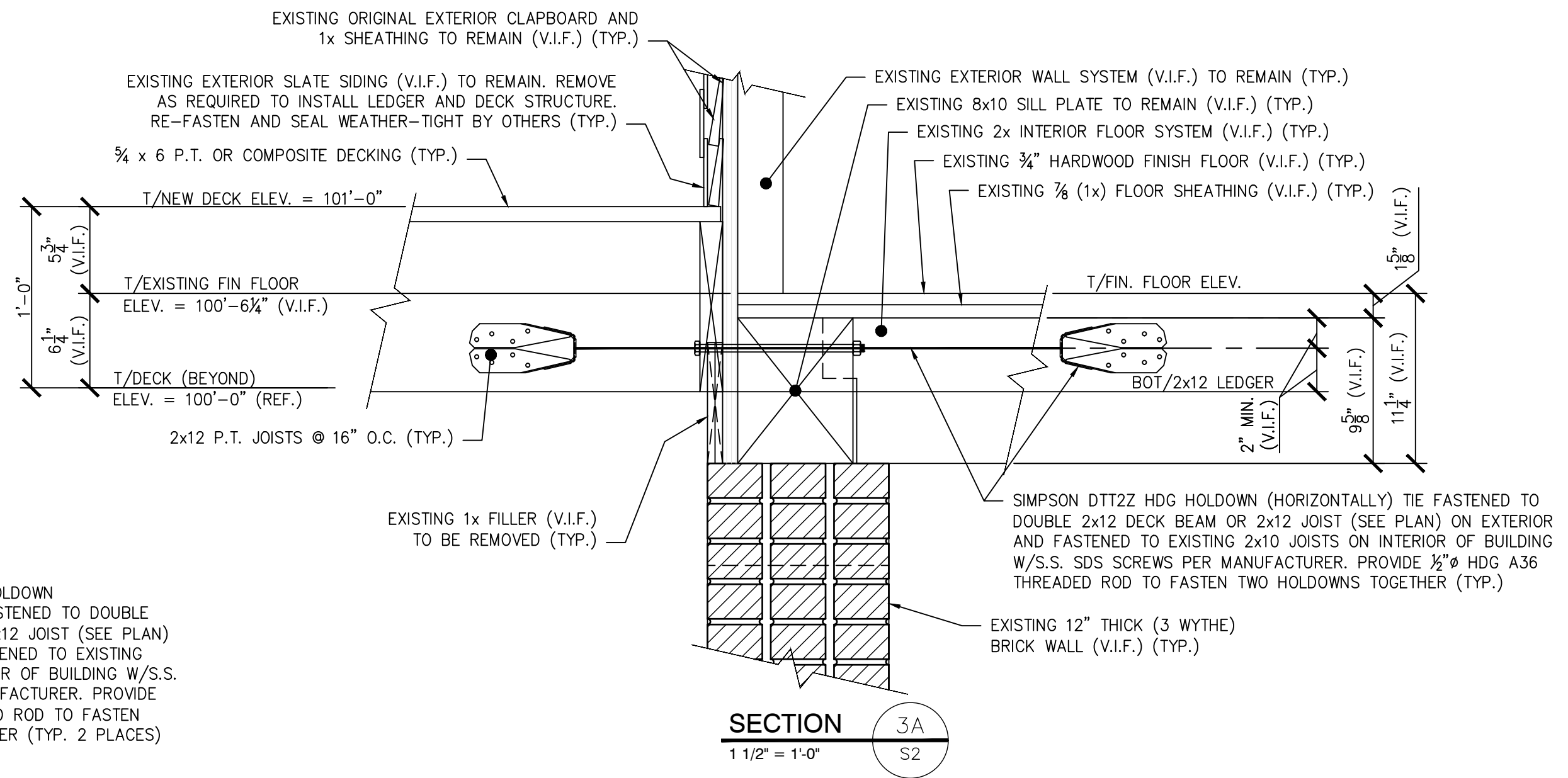


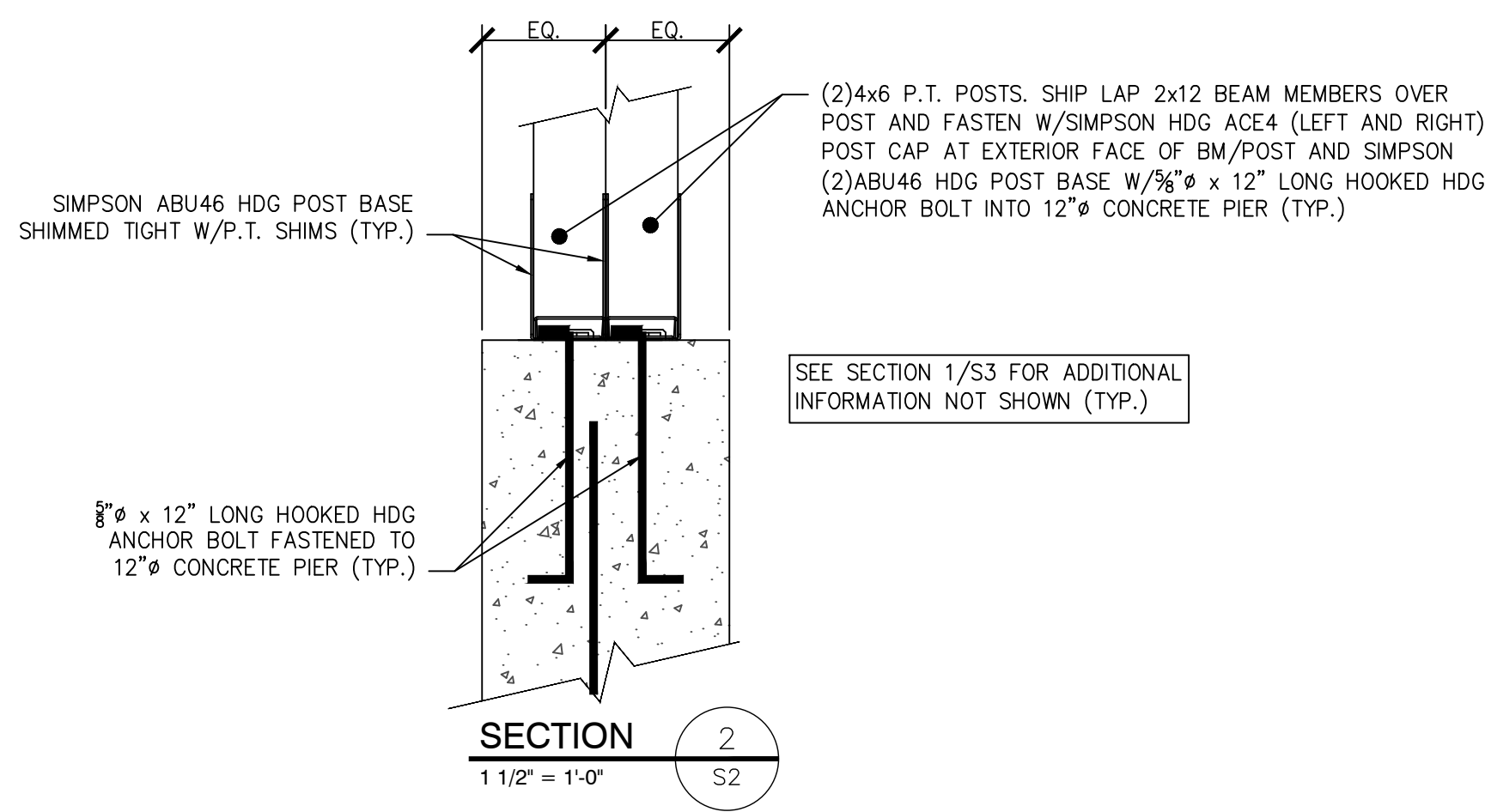
SECTION 1
1 1/2" = 1'-0"



SECTION 3
1 1/2" = 1'-0"

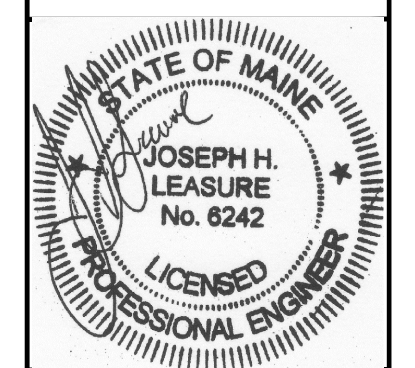


SECTION 3A
1 1/2" = 1'-0"



SECTION 2
1 1/2" = 1'-0"

L & L STRUCTURAL ENGINEERING SERVICES, INC.
SIX Q STREET SOUTH PORTLAND, MAINE 04106
PHONE: (207) 767-4830
FAX: (207) 799-5432
EMAIL: JLEASURE@L-L-ENG.COM



| rev. | date | description | designed by: JHL | drawn by: RJW | checked by: JHL | scale: AS NOTED | date: 07/19/2017 | plot date: 08/25/2017 | project: # 2017-125 |
|------|----------|-----------------------|------------------|---------------|-----------------|-----------------|------------------|-----------------------|---------------------|
| A | 08/25/17 | PERMIT & PRICING ONLY | | | | | | | |

BUILDING LOCATED AT
394 DANFORTH STREET
PORTLAND, MAINE
EXTERIOR REPLACEMENT
FRAMING SECTIONS AND DETAILS

S3

THESE DRAWINGS HAVE BEEN DEVELOPED BY L&L STRUCTURAL ENGINEERING SERVICES, INC. FOR THE TITLED SET ONLY. THE DRAWINGS ARE THE SOLE PROPERTY OF L&L ENGINEERING SERVICES, INC. AND THEY SHALL NOT BE USED, LENT, COPIED OR ALTERED WITHOUT THE WRITTEN CONSENT OF L&L STRUCTURAL ENGINEERING SERVICES, INC.