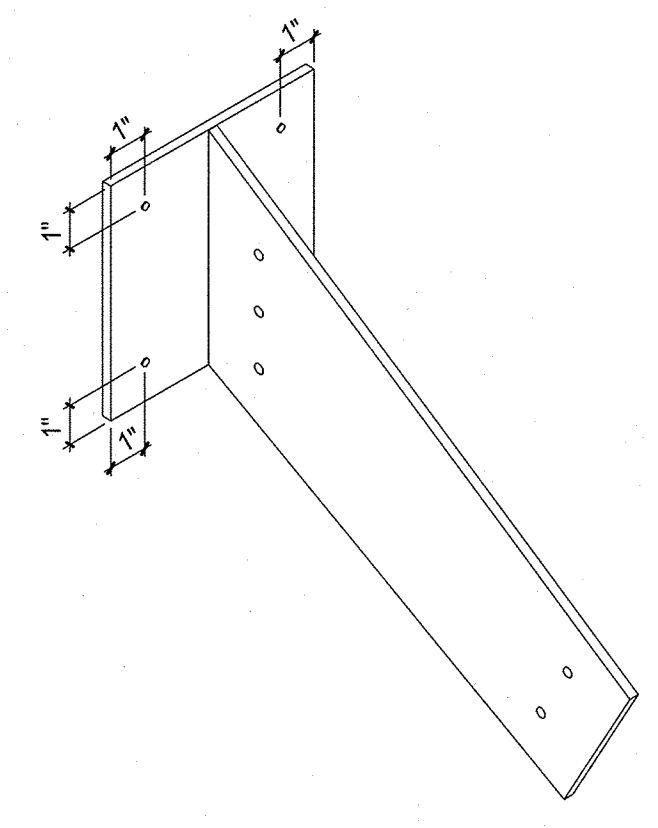
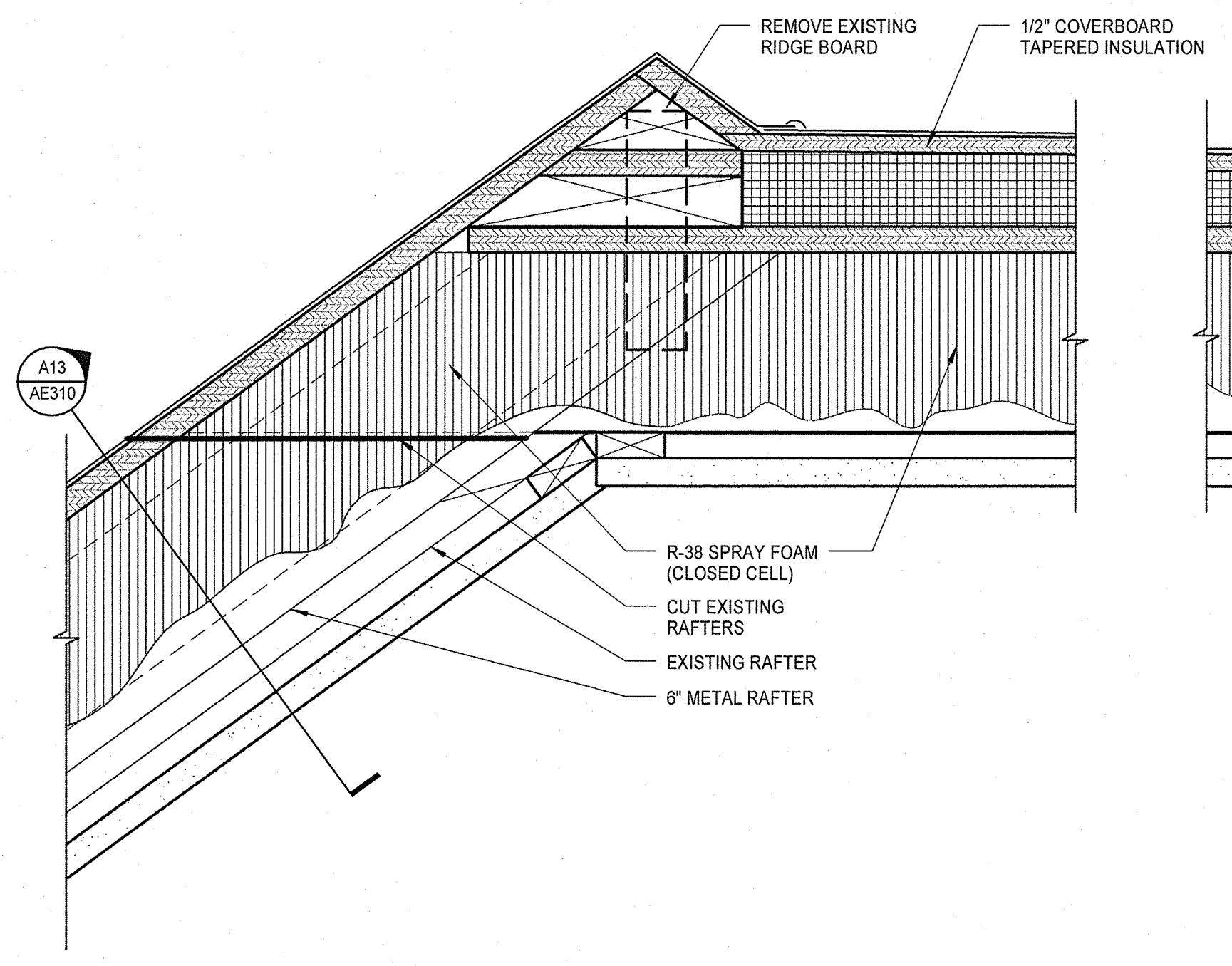


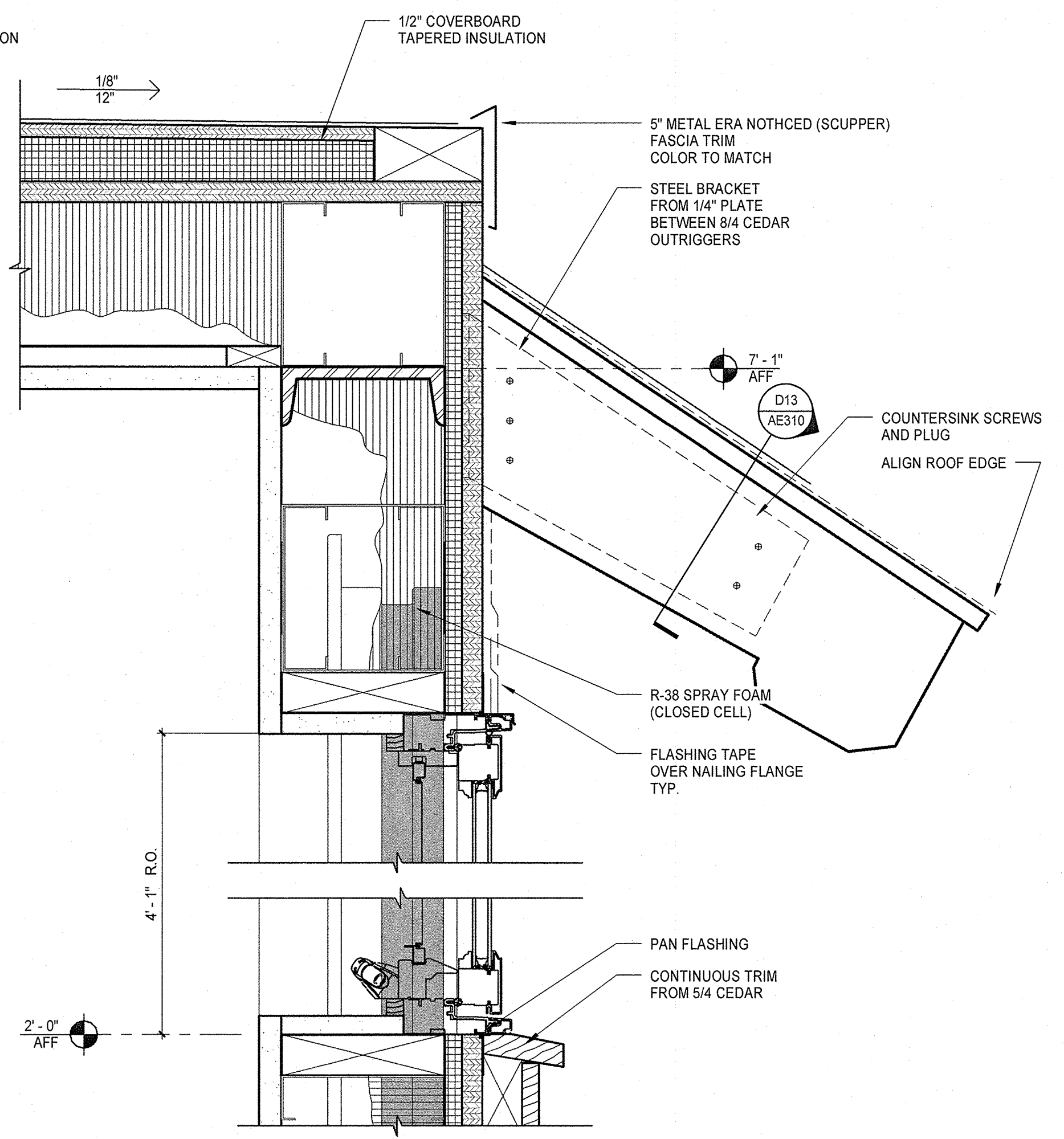
J10 DETAIL
3" = 1'-0"



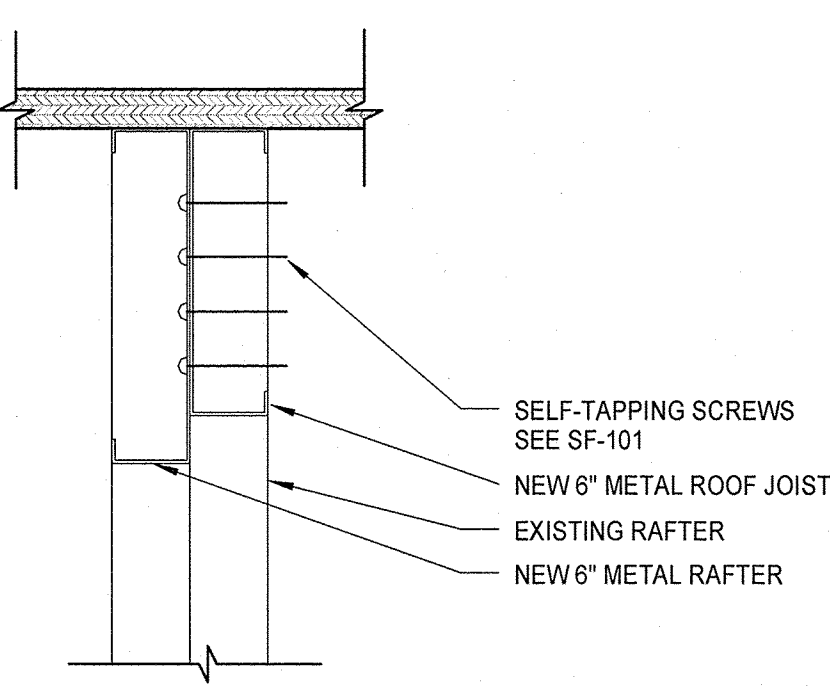
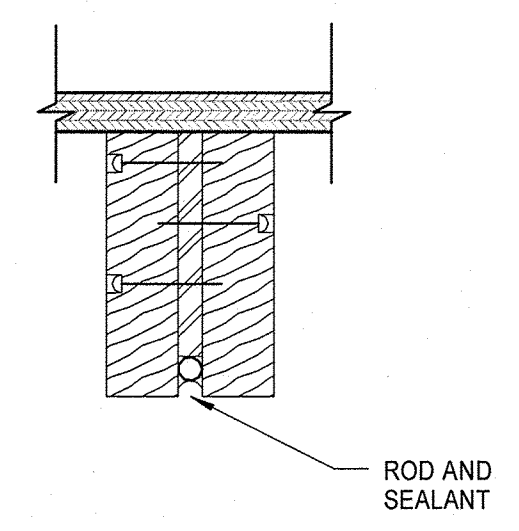
J13 DETAIL
3" = 1'-0"



A4 WALL SECTION
3" = 1'-0"

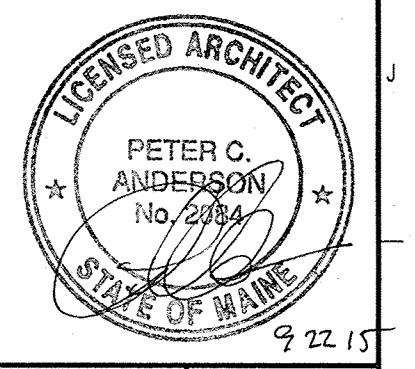
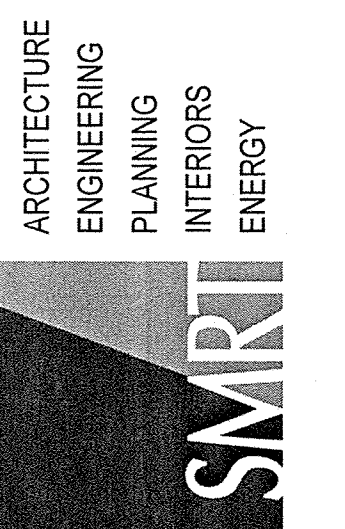


D13 SECTION DETAIL
3" = 1'-0"



A13 SECTION DETAIL
3" = 1'-0"

144 Fore Street, P.O. Box 618
Portland, Maine 04104
Tel: (207) 775-3866
Fax: (207) 775-0970
www.smartinc.com



332 DANFORTH STREET
ISSUED FOR CONSTRUCTION
9-4-15
CURRENT ISSUE STATUS:

REV	DESCRIPTION	DATE

GRAPHIC SCALE:
0" 1"
SCALE: 3" = 1'-0"
PROJECT MANAGER: PCA
JC/DRAWN BY: Author
A/E OF RECORD: Checker
PROJECT NO.: 15055
SMART FILE: AE310-15055
DATE:

SHEET TITLE:
WALL SECTIONS

SHEET No.
AE310
©COPYRIGHT 2014 SMART INC.