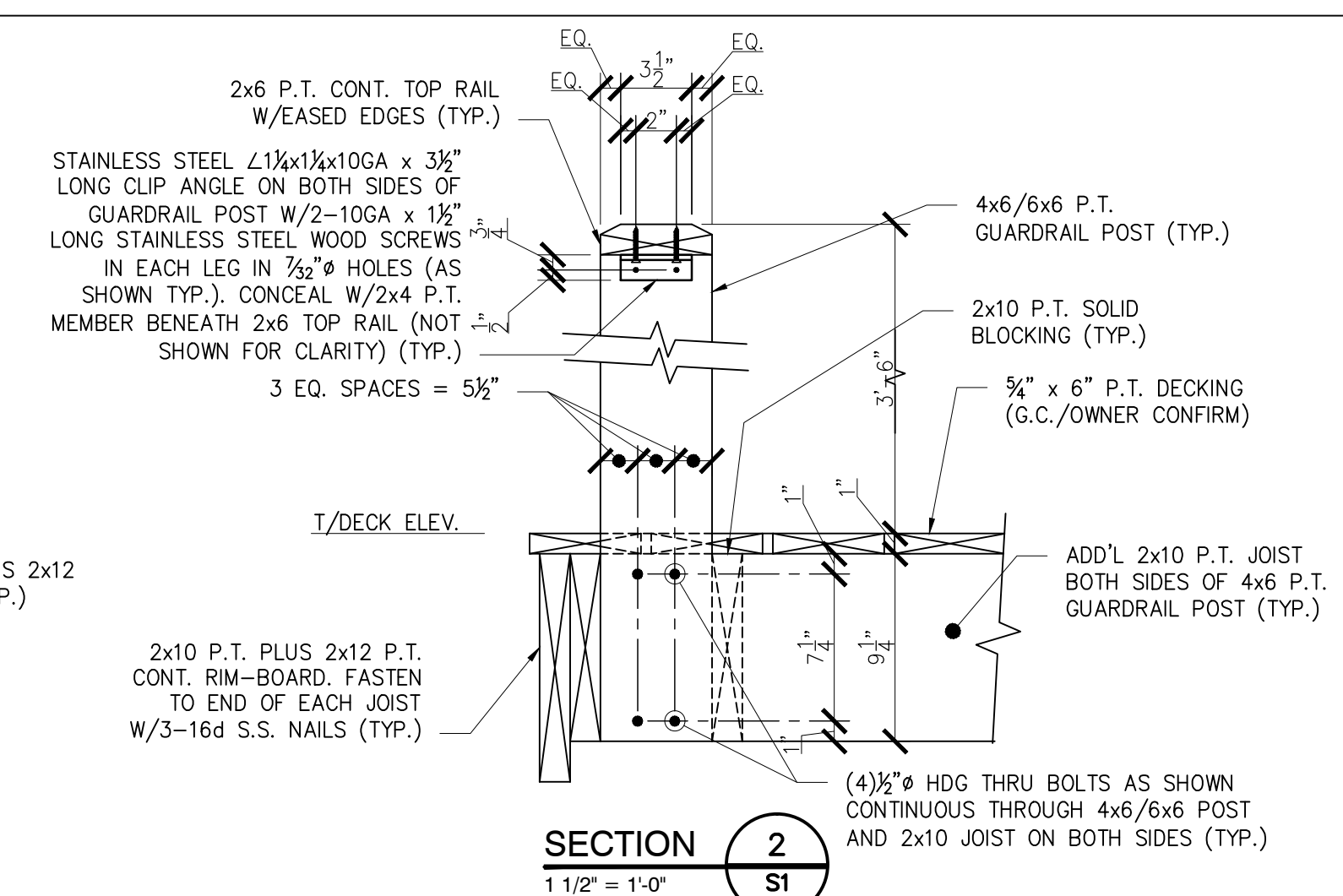
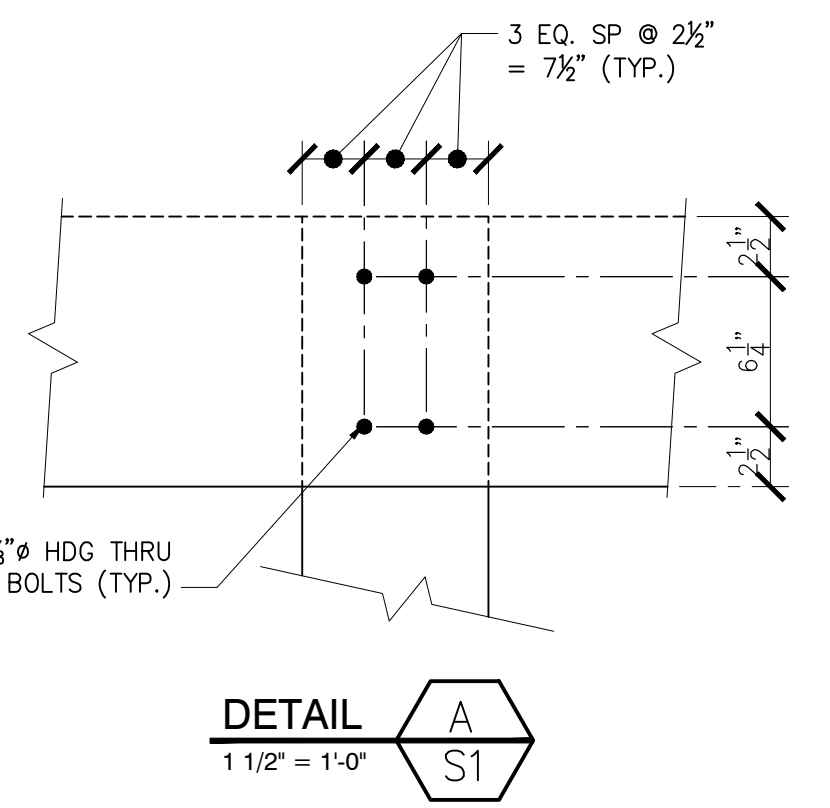


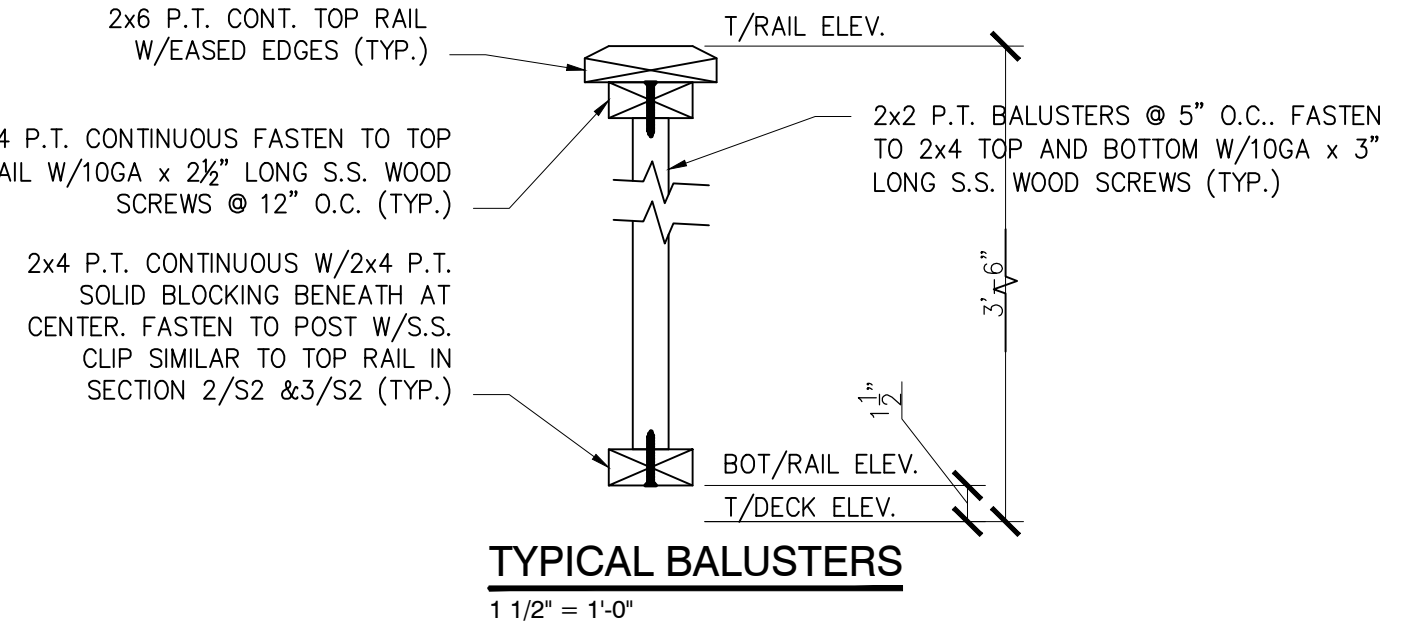
REAR ELEVATION/SECTION OF REAR DECKS 1
3/4" = 1'-0"



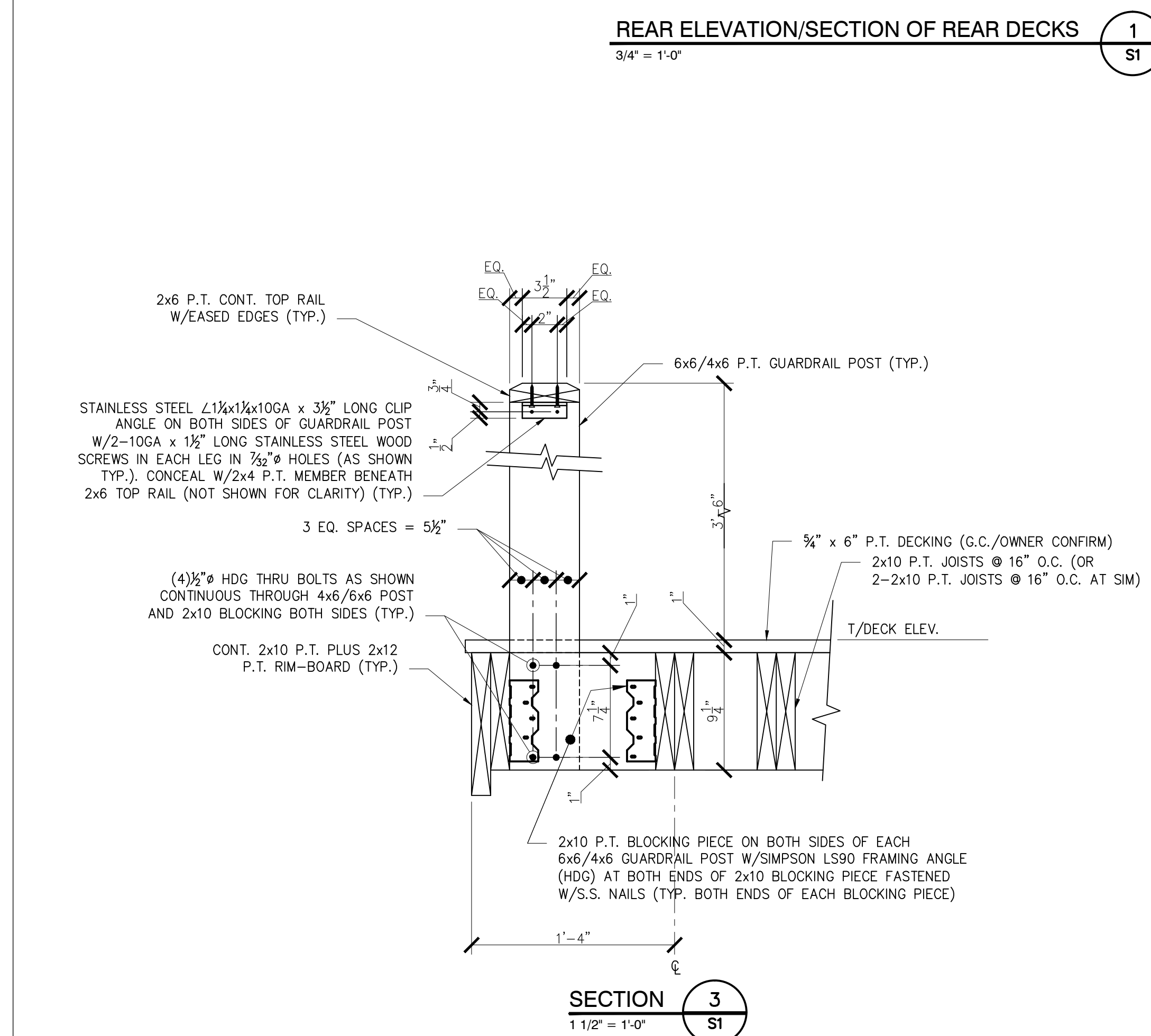
SECTION 2
1 1/2" = 1'-0"



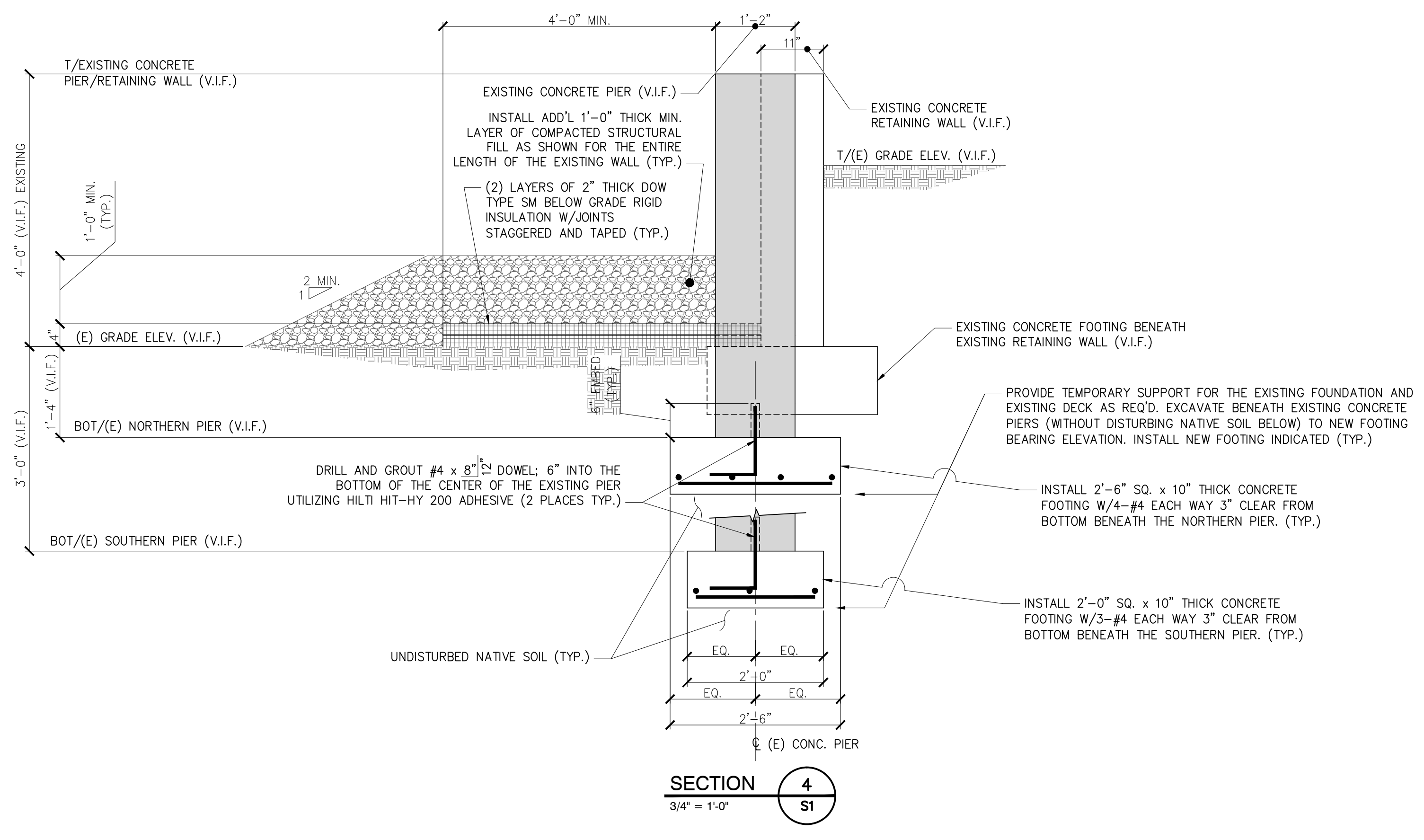
DETAIL A
1 1/2" = 1'-0"



TYPICAL BALUSTERS
1 1/2" = 1'-0"

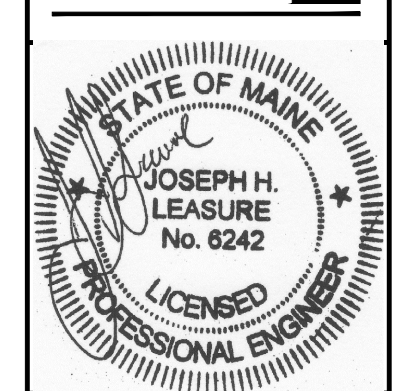


SECTION 3
1 1/2" = 1'-0"



SECTION 4
3/4" = 1'-0"

L & L STRUCTURAL ENGINEERING SERVICES, INC.
SIX Q. STREET
SOUTH PORTLAND, MAINE 04106
PHONE: (207) 767-4830
FAX: (207) 799-5432



designed by:	drawn by:	checked by:	scale:	date:	plot date:	project #:
JHL	RAW	JHL	AS NOTED	10/07/2014	10/07/2014	2014-142

RESIDENTIAL BUILDING LOCATED AT
358 DANFORTH STREET
PORTLAND, MAINE
EXTERIOR DECKS
SECTIONS & DETAILS



THESE DRAWINGS HAVE BEEN DEVELOPED BY L&L STRUCTURAL ENGINEERING SERVICES, INC. FOR THE TITLED SET ONLY. THE DRAWINGS ARE THE SOLE PROPERTY OF L&L ENGINEERING SERVICES, INC. AND THEY SHALL NOT BE USED, LENT, COPIED OR ALTERED WITHOUT THE WRITTEN CONSENT OF L&L STRUCTURAL ENGINEERING SERVICES, INC.