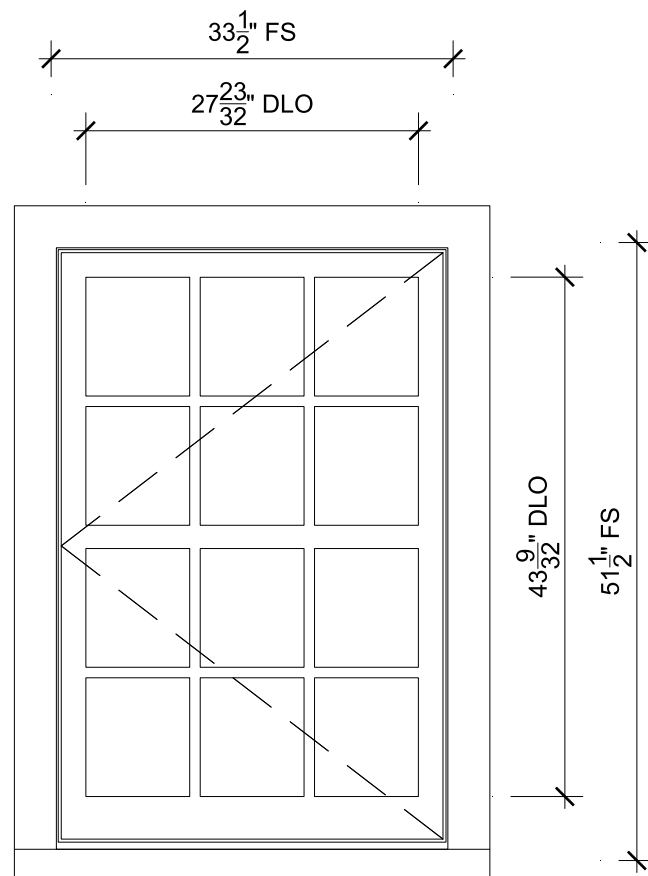


FRONT, BACK & SIDE

SCALE: 3/4" = 1'-0"

- 1
2 Head
- 2
2 Jamb
- 3
2 Sill
- 4
2 Divided Lite
- 5
2 Simulated Rail



FRONT BR

SCALE: 3/4" = 1'-0"

- 1
2 Head
- 2
2 Jamb
- 3
2 Sill
- 4
2 Divided Lite
- 5
2 Simulated Rail

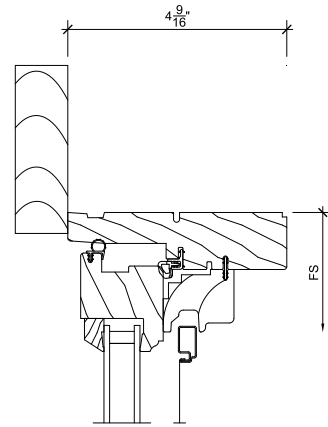
FOR DESIGN INTENT ONLY, NOT FOR MANUFACTURE.



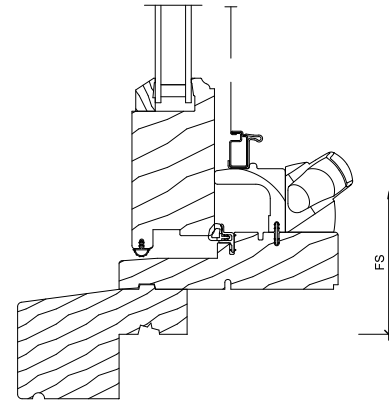
ORDERING PRODUCTS WITH REFERENCE TO SHOP DRAWINGS:
 Before ordering the Marvin products illustrated within these shop drawings, a copy of these drawings accompanied by an approved signature of the purchaser must be returned to the Architectural Division at Marvin Windows & Doors, P.O. Box 100, Warrond, Minnesota 56763. If the Marvin products included herein are ordered without reference to the approved shop drawings, Marvin Windows and Doors assumes no responsibility in guaranteeing product coordination with the drawings.

PROJ/JOB: Waynflete School / Waynflete - Storer St Egress
 DIST/DEALER: ELDREDGE LUMBER & HARDWARE-YORK-GO
 DRAWN: DAVE THIBEAU
 QUOTE#: FDR5125 PK VER:0002.18.05 CREATED: 01/24/2018 REVISION:

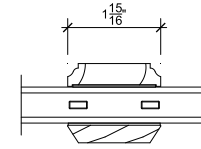
SHEET
 1
 OF 2



1 Head
2 SCALE: 3" = 1'-0"

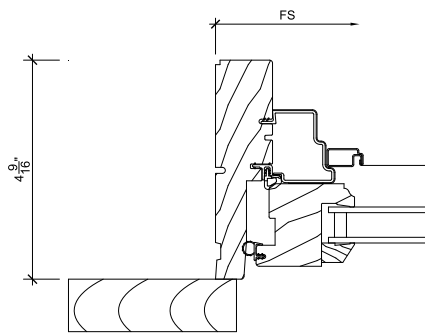


3 Sill
2 SCALE: 3" = 1'-0"

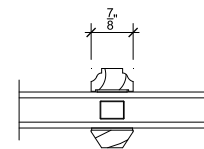


5 Simulated Rail
2 SCALE: 3" = 1'-0"

7 NOT USED
2 SCALE: 3" = 1'-0"



2 Jamb
2 SCALE: 3" = 1'-0"



4 Divided Lite
2 SCALE: 3" = 1'-0"

6 NOT USED
2 SCALE: 3" = 1'-0"

8 NOT USED
2 SCALE: 3" = 1'-0"



ORDERING PRODUCTS WITH REFERENCE TO SHOP DRAWINGS:
Before ordering the Marvin products illustrated within these shop drawings, a copy of these drawings accompanied by an approved signature of the purchaser must be returned to the Architectural Division at Marvin Windows & Doors, P.O. Box 100, Warrroad, Minnesota 56763. If the Marvin products included herein are ordered without reference to the approved shop drawings, Marvin Windows and Doors assumes no responsibility in guaranteeing product coordination with the drawings.

PROJ/JOB: Waynflete School / Waynflete - Storer St Egress
DIST/DEALER: ELDREDGE LUMBER & HARDWARE-YORK-GO
DRAWN: DAVE THIBEAU
QUOTE#: FDR5125 PK VER:0002.18.05 CREATED: 01/24/2018 REVISION: