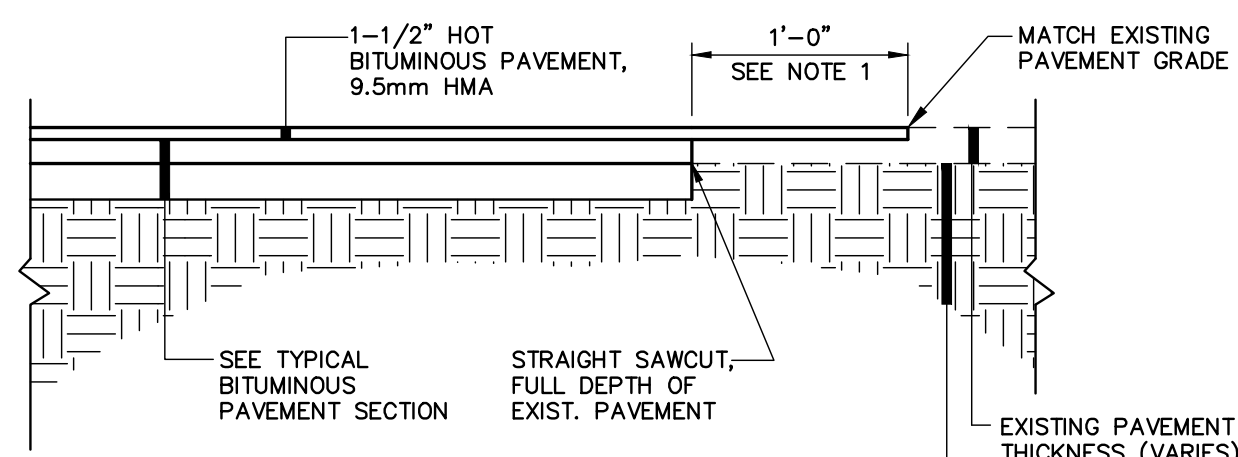
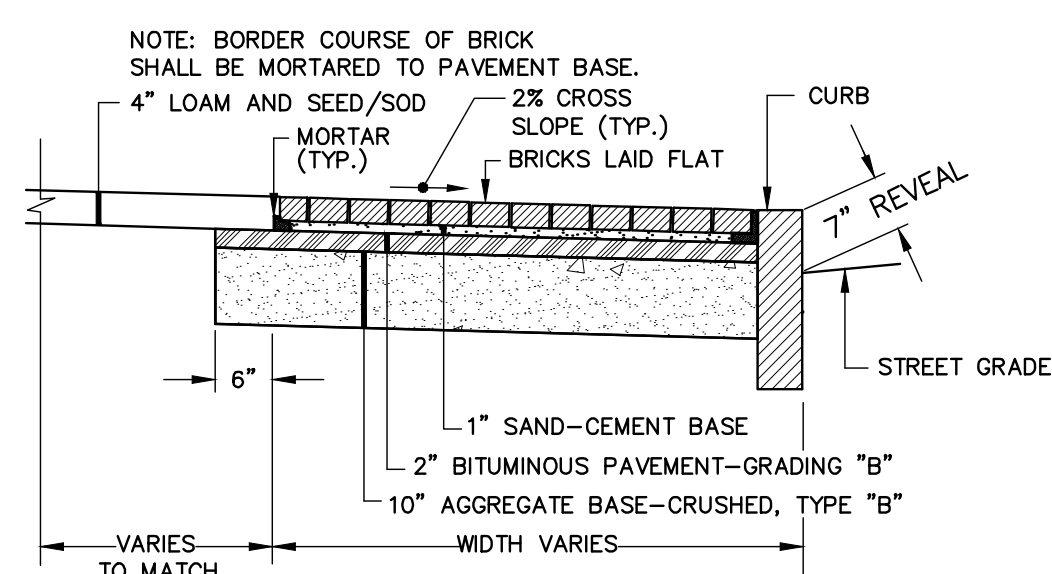


TYPICAL BITUMINOUS PAVEMENT SECTION - PARKING & STREETS
N.T.S.

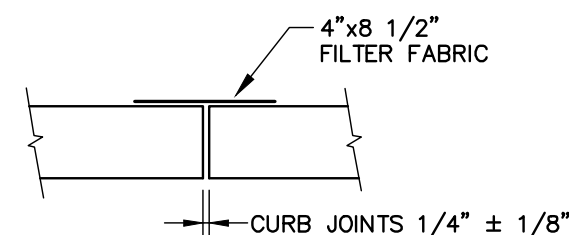


- NOTES:**
1. GRIND EXISTING PAVEMENT, TO 1-1/2" DEPTH.
 2. PROVIDE BITUMINOUS TACK COAT ON VERTICAL AND HORIZONTAL SURFACES PRIOR TO PAVING.
 3. DETAIL APPLICABLE TO PAVEMENT BUTT JOINTS AT ROADWAY WORK LIMITS. REFER TO PIPE INSTALLATION DTL. OR PAVED ROAD SECTION DTL. FOR TRENCH REPAIR REQUIREMENTS.

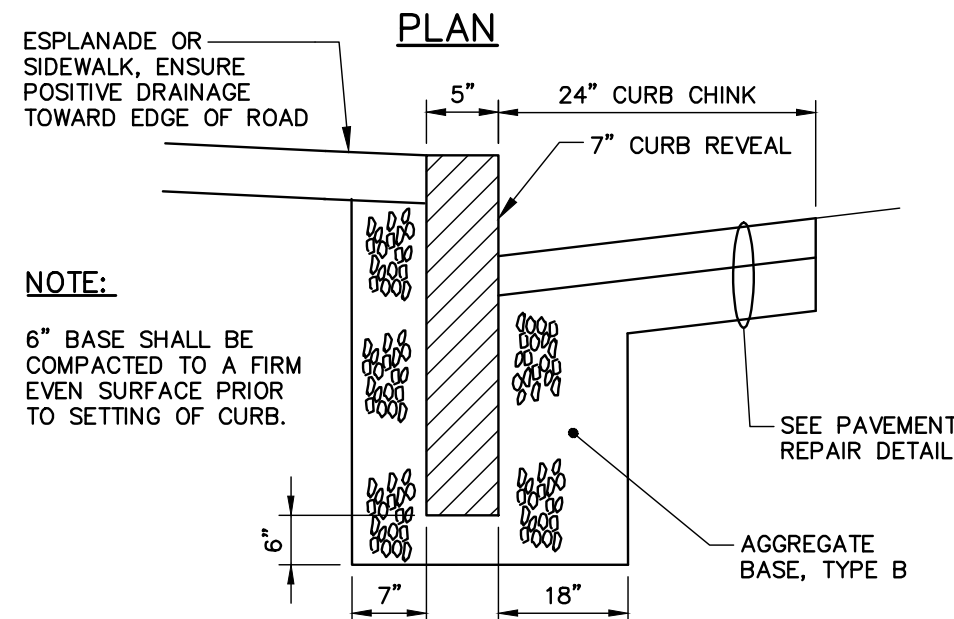
PAVEMENT BUTT JOINT DETAIL
N.T.S.



BRICK SIDEWALK DETAIL
N.T.S.



PLAN

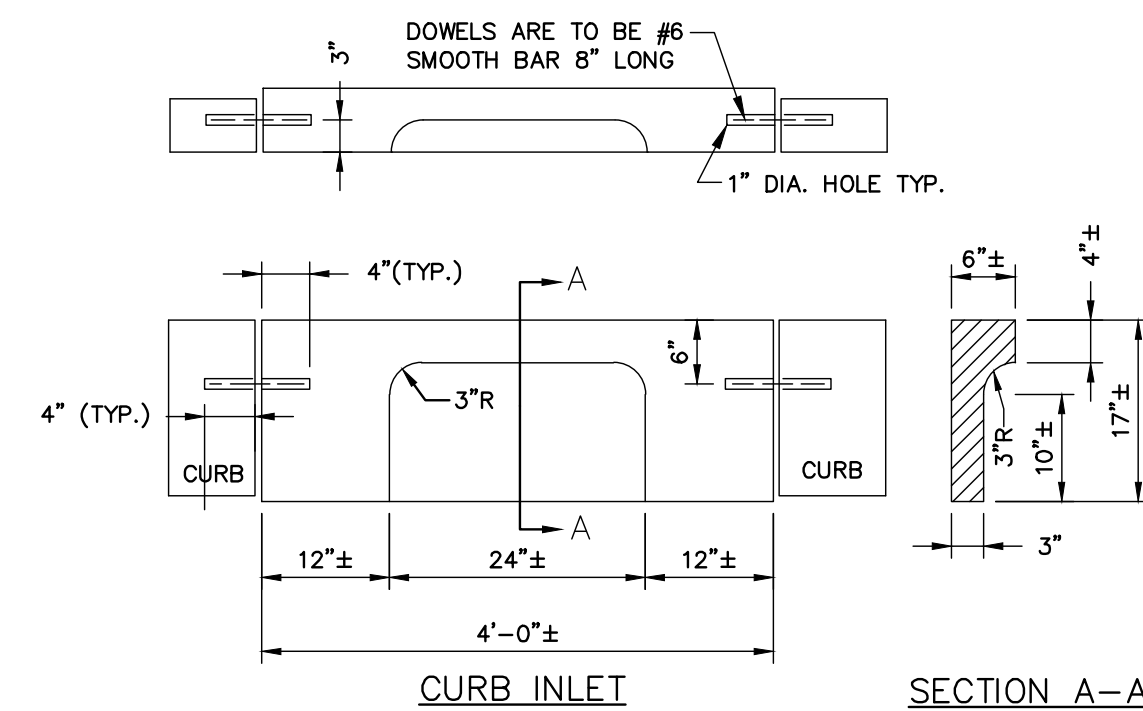


SECTION

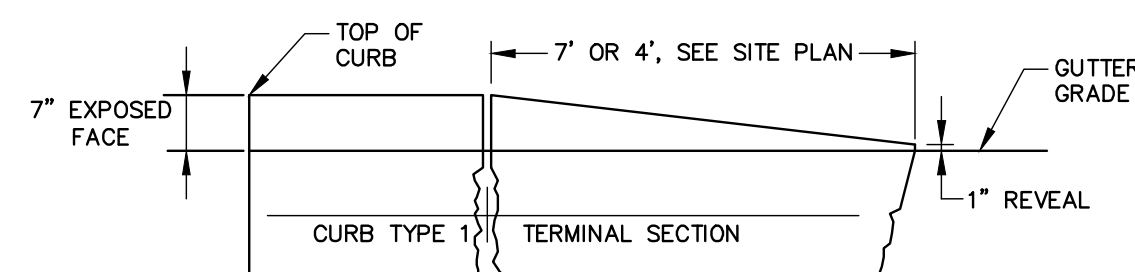
CURB TYPE 1 ON CURVES			
TYPE	RADIUS OF CURVE	LENGTH	STONE IS CUT OR CAST
1	0' TO 60' INCL.	4' MIN.	ARC TO FIT CURVE
	OVER 60' TO 160'	4' TO 6'	STRAIGHT PIECES

TYPICAL NEW AND RESET CURB INSTALLATION
N.T.S.

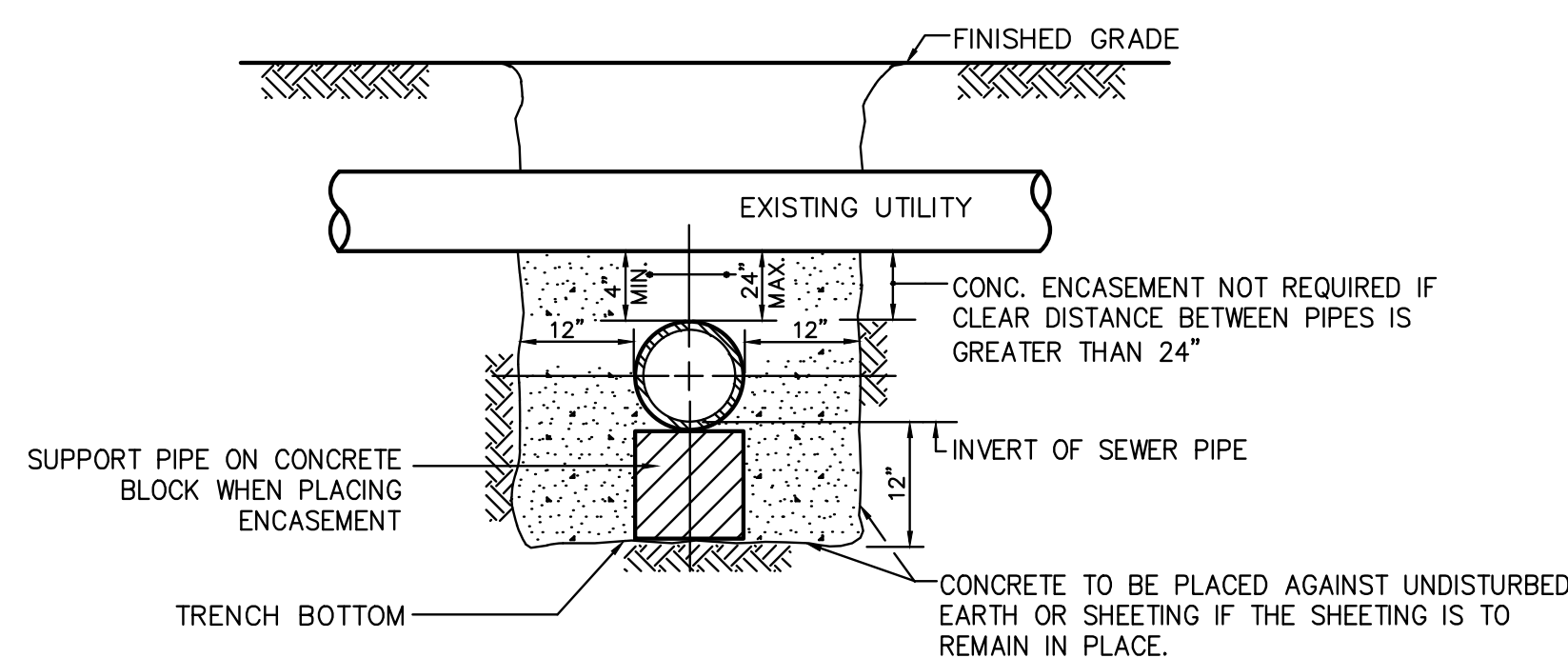
NOTE: AGGREGATE TYPES PER MDOT SECTION 304.02



TYPE 1 GRANITE CURB INLET
N.T.S.

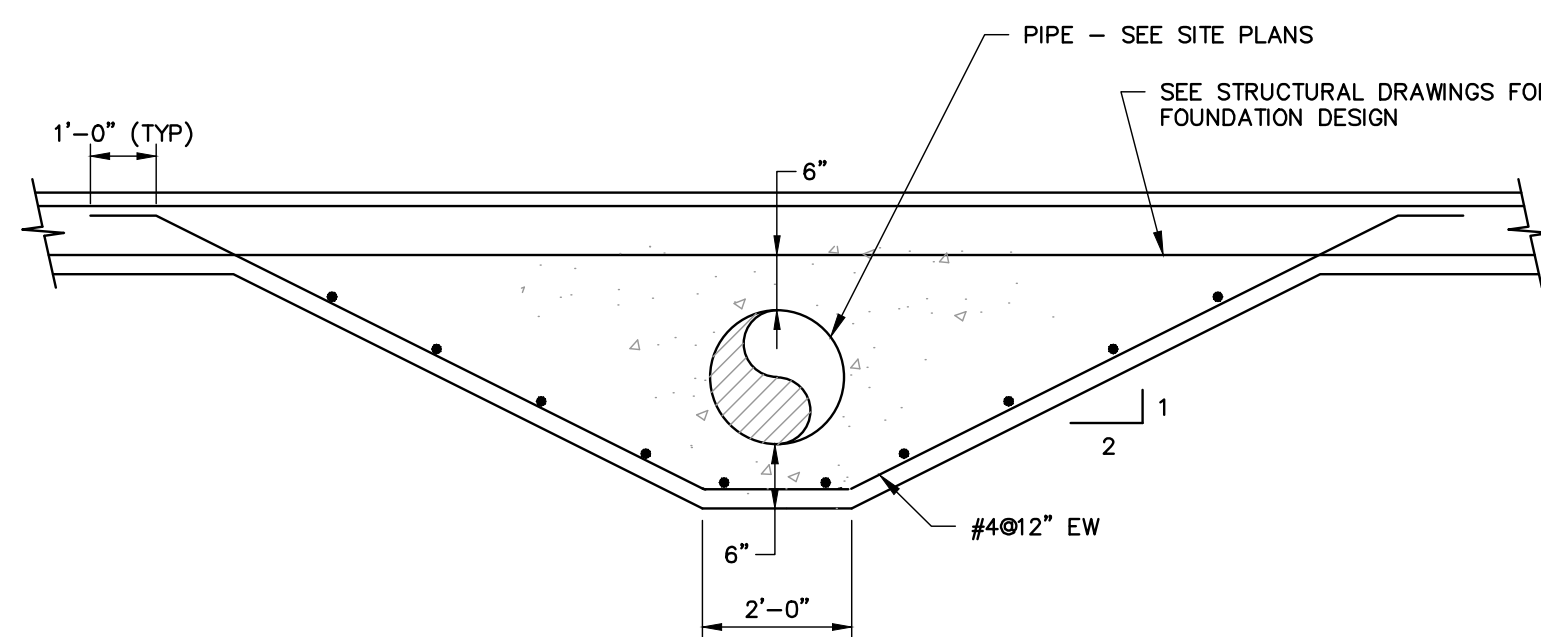


TERMINAL CURB SECTION
N.T.S.

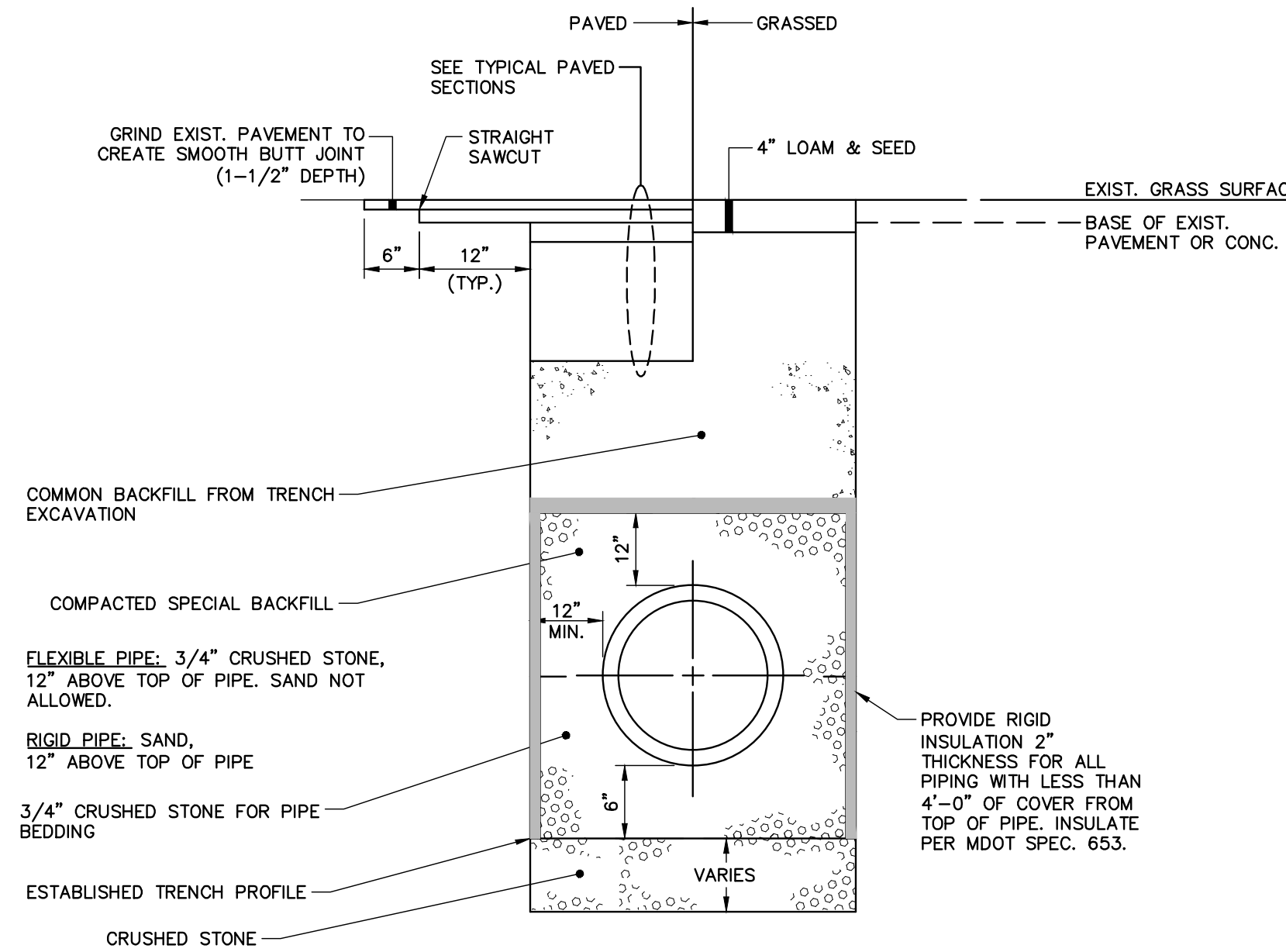


- NOTE:**
- PIPE MUST BE BRACED VERTICALLY & HORIZONTALLY TO PREVENT FLOATATION DURING PLACEMENT OF CONC.

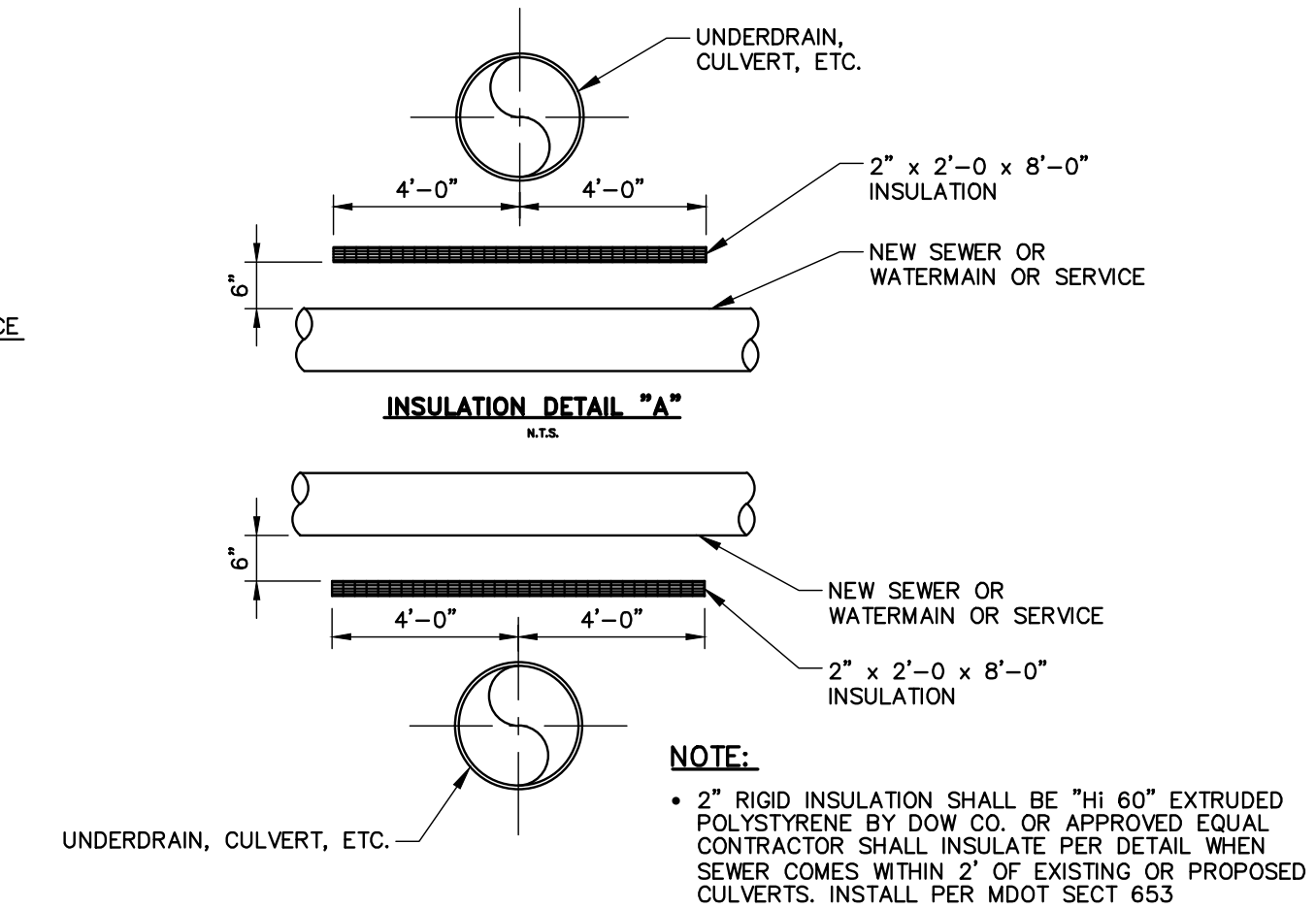
UTILITY CROSSING LESS THAN 24\"/>



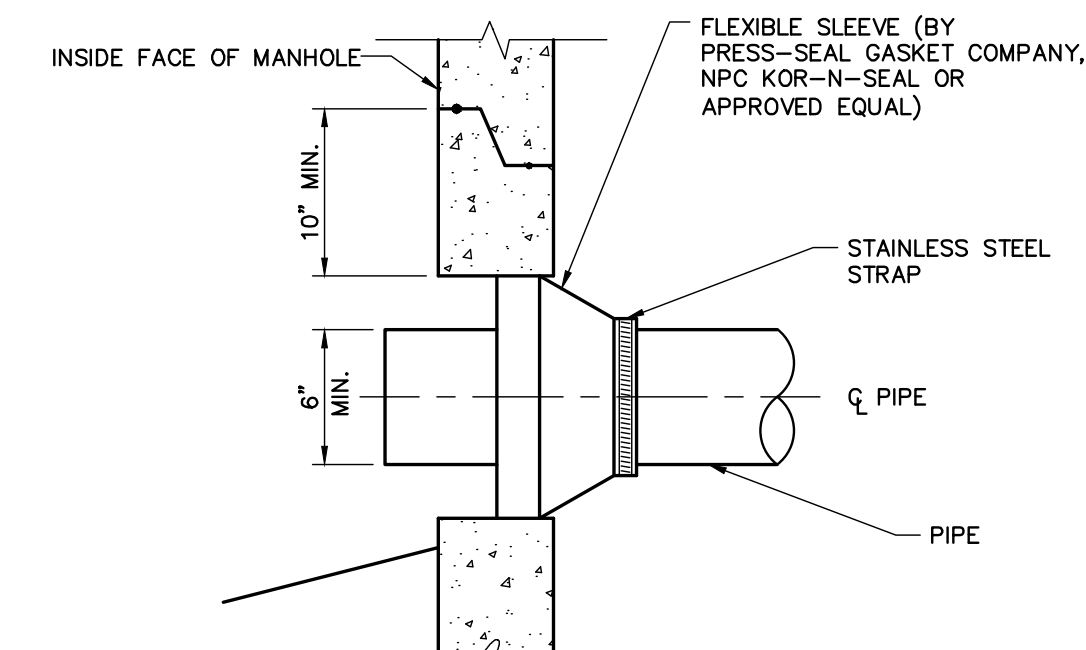
PIPE ENCASEMENT DETAIL
N.T.S.



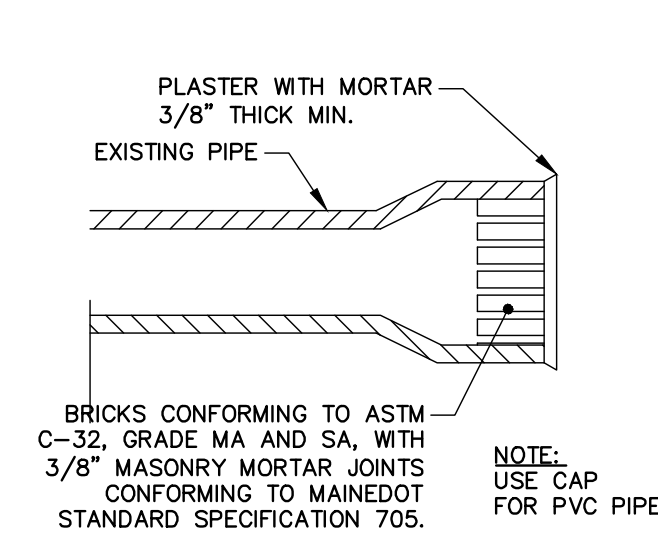
PIPE INSTALLATION DETAIL
N.T.S.



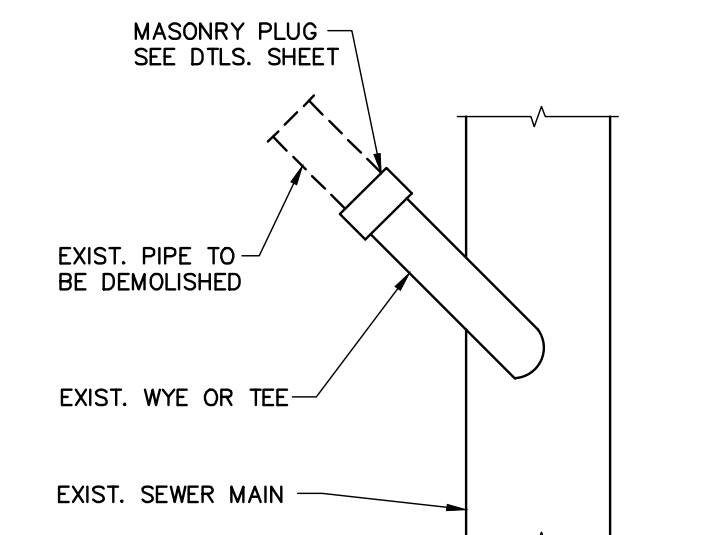
UTILITY CROSSING
N.T.S.



NEW PIPE TO NEW STRUCTURE CONNECTION DETAIL
N.T.S.



MASONRY PLUG DETAIL
N.T.S.



MASONRY PLUG @ MAIN
N.T.S.

NOT FOR CONSTRUCTION

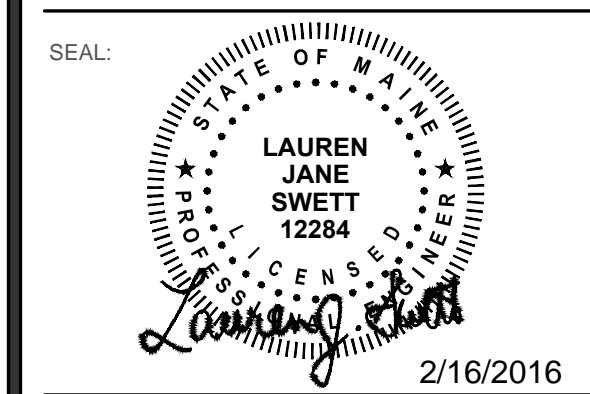


75 York Street
Portland, Maine 04101
simonsarchitects.com
207.772.4656



41 Hutchins Drive
Portland, Maine 04102
800.426.4262 | www.woodardcurran.com
COMMITMENT & INTEGRITY DRIVE RESULTS

PROJECT NAME:
WAYNFLETE GYM + LOWER SCHOOL
NEW CONSTRUCTION
WAYNFLETE SCHOOL
360 SPRING STREET
PORTLAND, MAINE 04102



THIS DRAWING IS THE PROPERTY OF SCOTT SIMONS ARCHITECTS (SSA) AND IS NOT TO BE COPIED OR REPRODUCED IN PART OR WHOLE. 2015 © SCOTT SIMONS ARCHITECTS, LLC

REVISION:

1	DATE
2	DATE
3	DATE
4	DATE
5	DATE
6	DATE

DATE OF ISSUE: FEBRUARY 2016
PROJECT NUMBER: 229423
STATUS: PLANNING BOARD SUBMISSION

CIVIL DETAILS - 2

D-201