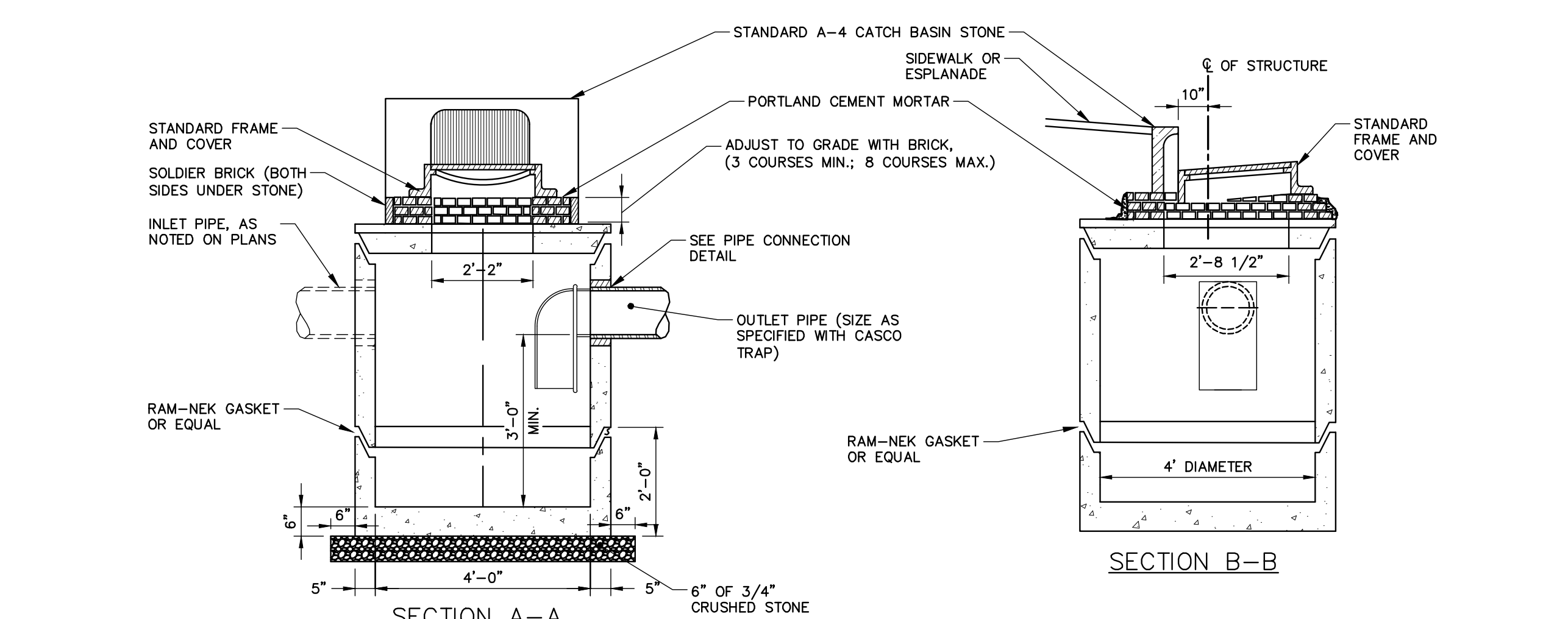
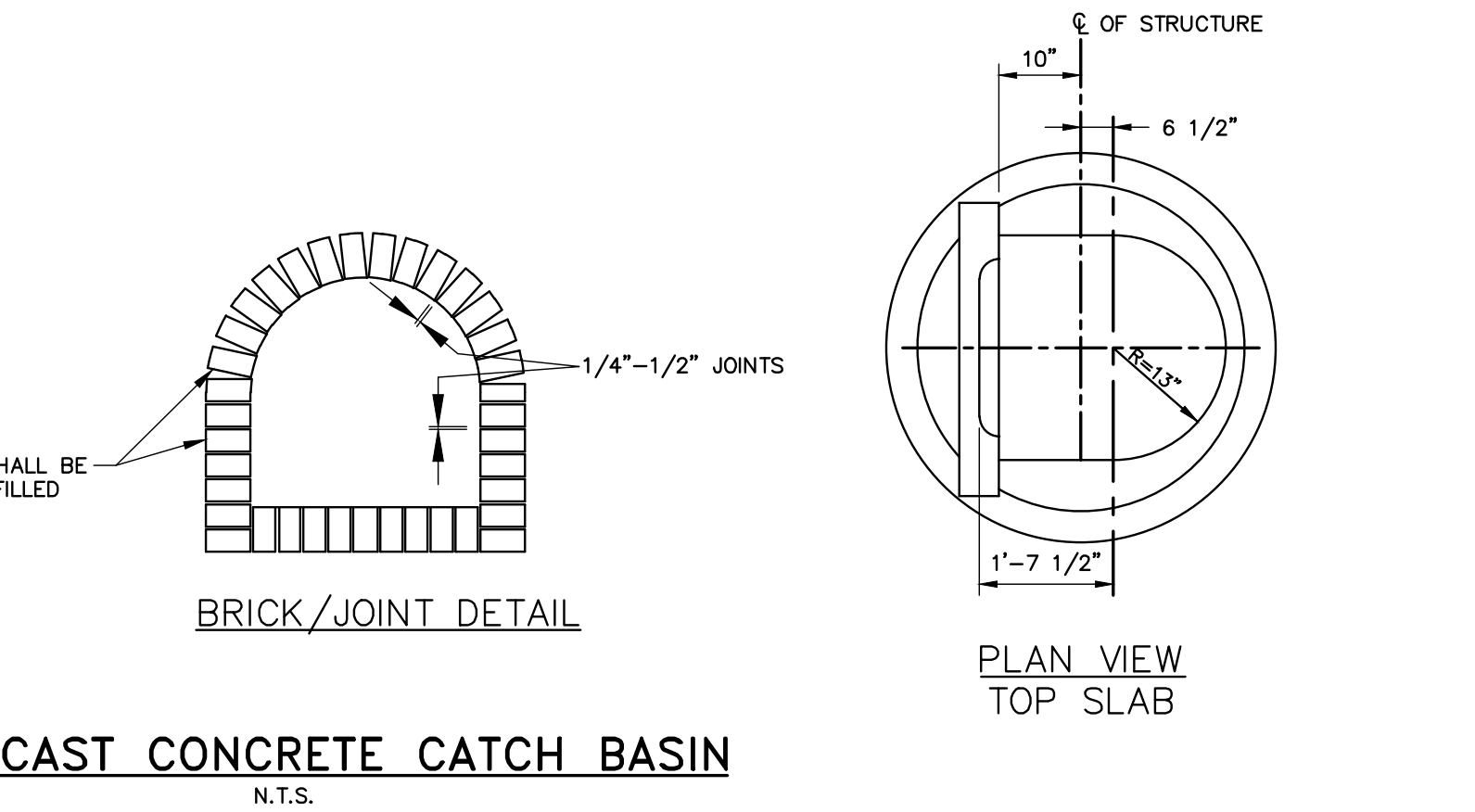


PLASTIC MANHOLE STEPS
N.T.S.

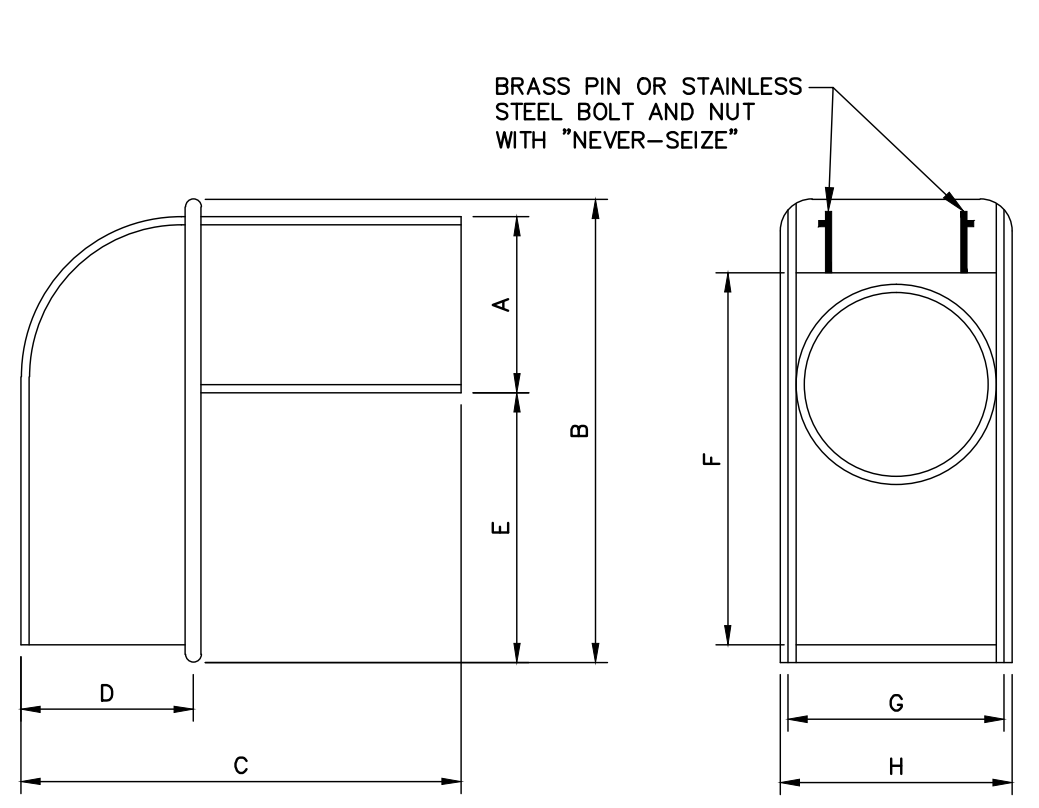


PRECAST CONCRETE CATCH BASIN
N.T.S.

- GENERAL NOTES FOR MANHOLES AND CATCH BASINS**
- ALL CONCRETE SHALL BE CLASS "A" AND HAVE A MINIMUM ULTIMATE COMPRESSIVE STRENGTH OF 4000 LBS. PER SQ. INCH AT THE END OF 28 DAYS, UNLESS OTHERWISE NOTED.
 - PRECAST REINFORCED CONE BARREL MANUFACTURED PER ASTM SPEC. C-478.
 - ALL MANHOLES SHALL HAVE A BITUMINOUS WATERPROOFING APPLIED TO THE EXTERIOR SURFACE. IF CONSTRUCTED OF BRICK MASONRY, SURFACE SHALL BE PLASTERED WITH A SMOOTH MORTAR FINISH 3/8" THICK. AFTER THE MORTAR HAS SET, THE SURFACE SHALL BE WATERPROOFED AS REQUIRED BY SUPPLEMENTAL SPECIFICATIONS SECTION 604.
 - CASTINGS SHALL CONFORM TO ASTM DESIGNATION A48-CLASS 35. ALL PARTS OF CASTINGS, EXCEPT FINISHED SURFACE, SHALL RECEIVE A COAT OF COAL TAR PITCH VARNISH OR ASPHALTUM PAINT WHICH SHALL BE SMOOTH AND TOUGH BUT NOT BRITTLE.
 - MANHOLES MAY BE CONSTRUCTED OF MASONRY, PRECAST REINFORCED CONCRETE, OR CAST IN PLACE.
 - CONTRACTOR SHALL SUBMIT ANTIFLOATATION CALCULATIONS FOR ALL MANHOLE AND CATCH BASIN STRUCTURES.
 - ALL PRECAST MANHOLES AND CATCH BASINS SHALL BE IDENTIFIED BY STATION, OFFSET, AND STRUCTURE ID PAINTED ON THE SIDE OF THE STRUCTURE BY THE MANUFACTURER.
 - STORM AND SEWER MANHOLES SHALL HAVE SOLID COVERS WITH ONE DRILLED PICK HOLE.
 - EXISTING MANHOLES, CATCH BASINS, FRAMES, AND COVERS SHALL BE SALVAGED BY THE CONTRACTOR, AND SHALL REMAIN THE PROPERTY OF THE CITY OF PORTLAND.
 - WHEN THE FLOW CHANGES DIRECTION IN A MANHOLE, THE CHANNEL ALIGNMENT SHALL FOLLOW A SMOOTH RADIUS. CHANNELS SHALL BE FORMED TO ACCEPT ALL INLET PIPES.
 - ON STORM AND SEWER MANHOLES, THE SHELF AND CHANNEL SHALL BE FORMED BY BRICK SET IN CEMENT MORTAR OR BY FACTORY PRE-CAST CONCRETE. SUCH PRE-CAST CONCRETE SHALL BE EPOXY COATED AND THE SHELF SHALL HAVE A PERMANENT NON-SKID SURFACE.



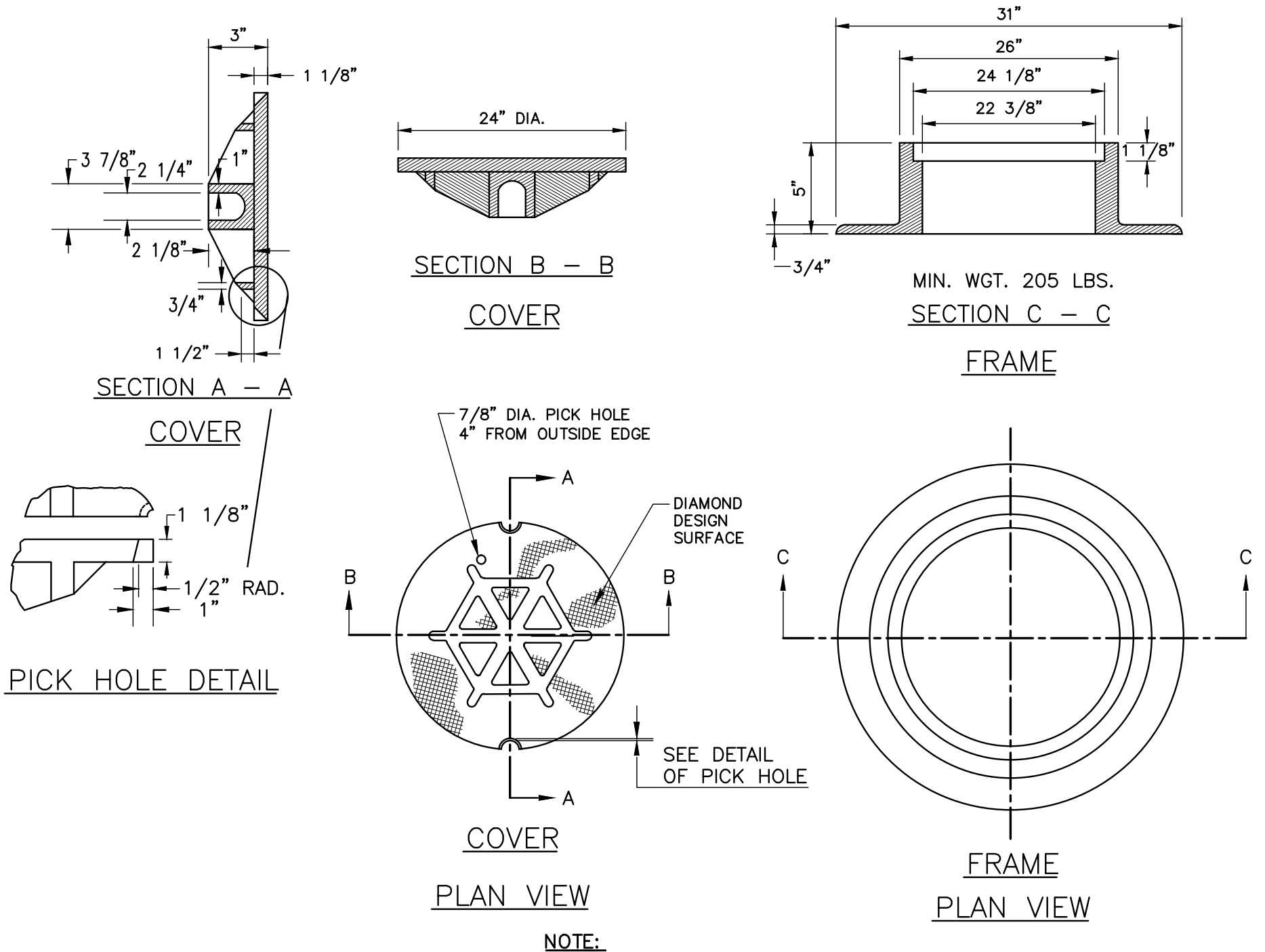
PRECAST CONCRETE CATCH BASIN
N.T.S.



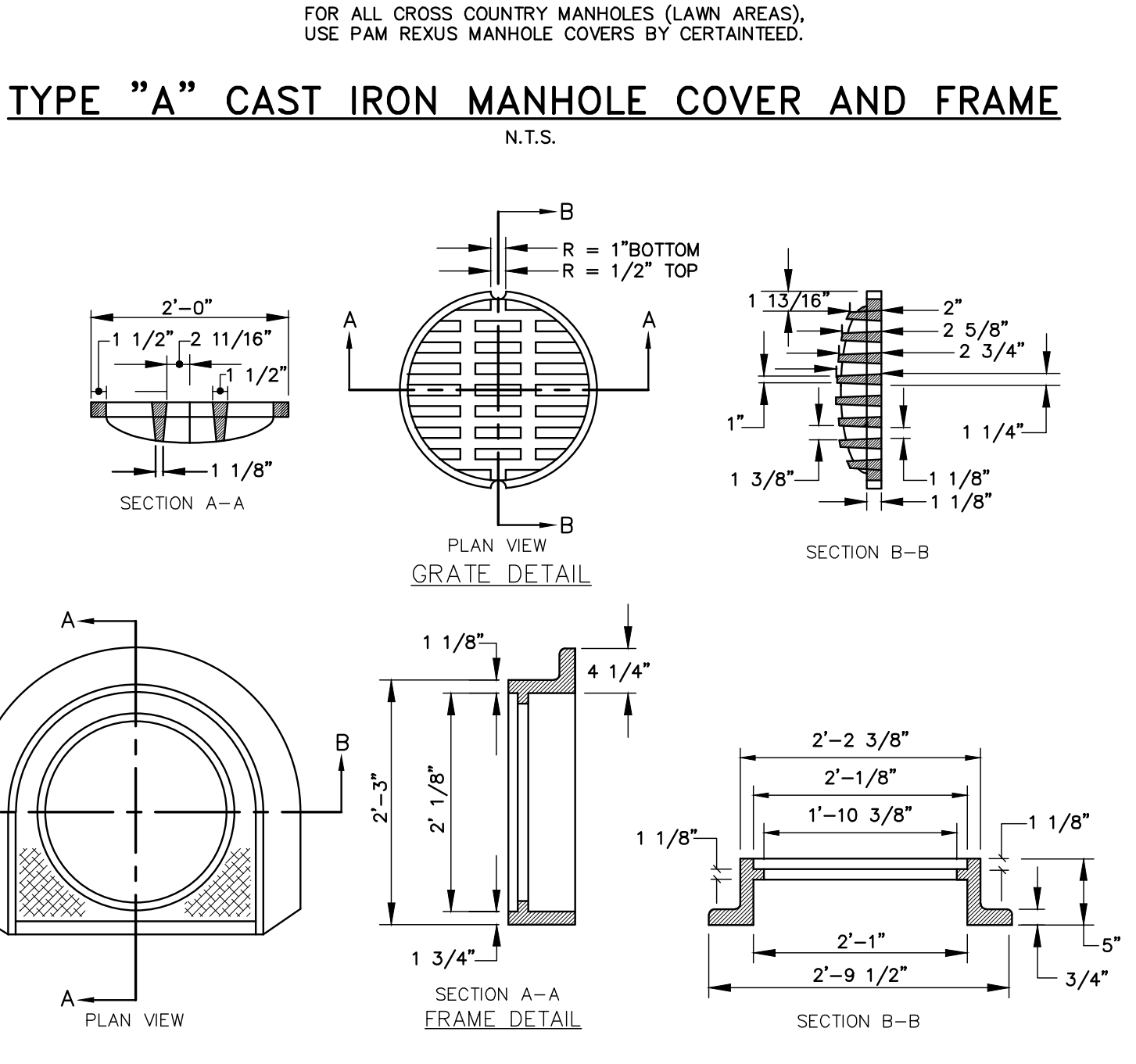
SIZE	A	B	C	D	E	F	G	H
10"	9 1/2"	16"	16 1/4"	6"	4 1/2"	14 1/8"	11 1/2"	12 3/8"
15"	14 1/2"	22 1/2"	23"	10 1/4"	5 3/4"	21"	14 1/2"	15 3/4"

- NOTE:**
- CASCO TRAP SHALL BE CAST IRON CASCO TRAP BY ETHERIDGE FOUNDRY OR APPROVED EQUAL.
 - BOLT AND NUT REQUIRED WHERE HOOD WILL NOT OPEN COMPLETELY.
 - CASCO TRAP SHALL BE INSTALLED ON ALL CATCH BASIN OUTLET PIPES, INCIDENTAL TO COST OF TRAP BASIN

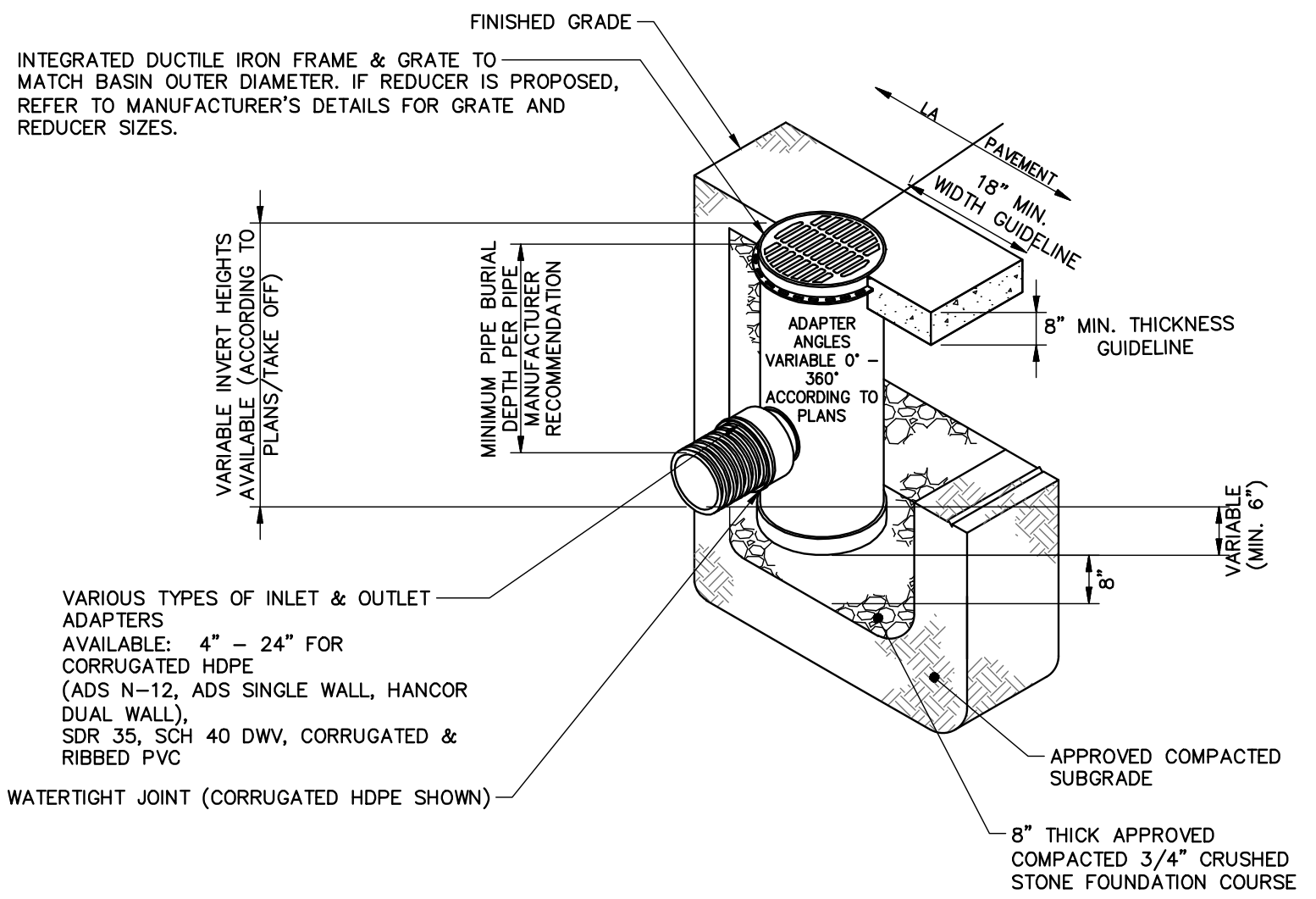
CASCO TRAP DETAIL
N.T.S.



PVC AREA DRAIN
N.T.S.



CATCH BASIN TYPE "D" - FRAME & COVER DETAIL
N.T.S.



- NOTE:**
- INSTALL BASIN IN ACCORDANCE WITH MANUFACTURER'S RECOMMENDATIONS
 - PRODUCT SHALL BE NYLOPLAST DRAIN BASIN MANUFACTURED BY ADVANCED DRAINAGE SYSTEMS (ADS) OR APPROVED EQUAL.
 - GRATES/SOLID COVER SHALL BE DUCTILE IRON PER ASTM A536 GRADE 70-50-05.
 - FRAMES SHALL BE DUCTILE IRON PER ASTM A536 GRADE 70-50-05.
 - DRAIN BASIN TO BE CUSTOM MANUFACTURED ACCORDING TO PLAN DETAILS. RISERS ARE NEEDED FOR BASINS OVER 84" DUE TO SHIPPING RESTORATIONS.
 - DRAINAGE CONNECTION STUB JOINT TIGHTNESS SHALL CONFORM TO ASTM D3212 FOR CORRUGATED HDPE (ADS & HANCOR DUAL WALL) & SDR 35 PVC.
 - ADAPTERS CAN BE MOUNTED ON ANY ANGLE 0° TO 360°.

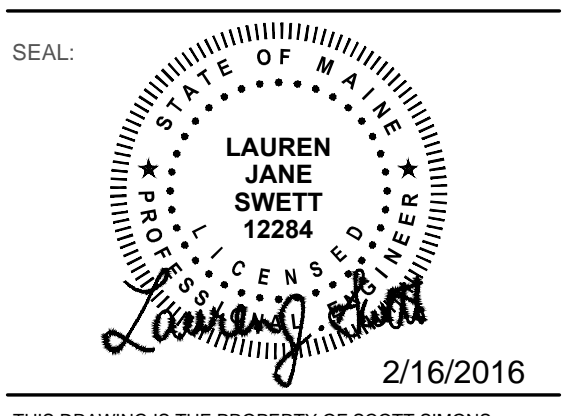


75 York Street
Portland, Maine 04101
simonsarchitects.com
207.772.4656



41 Hutchins Drive
Portland, Maine 04102
800.426.4262 | www.woodardcurran.com
COMMITMENT & INTEGRITY DRIVE RESULTS

PROJECT NAME:
WAYNFLETE GYM + LOWER SCHOOL
NEW CONSTRUCTION
WAYNFLETE SCHOOL
360 SPRING STREET
PORTLAND, MAINE 04102



2/16/2016

THIS DRAWING IS THE PROPERTY OF SCOTT SIMONS ARCHITECTS (SSA) AND IS NOT TO BE COPIED OR REPRODUCED IN PART OR WHOLE. © 2015 SCOTT SIMONS ARCHITECTS, LLC

REVISION:

NO.	DATE
1	DATE
2	DATE
3	DATE
4	DATE
5	DATE
6	DATE

DATE OF ISSUE: FEBRUARY 2016
PROJECT NUMBER: 229423
STATUS: PLANNING BOARD SUBMISSION

NOT FOR CONSTRUCTION

CIVIL DETAILS - 1

D-200