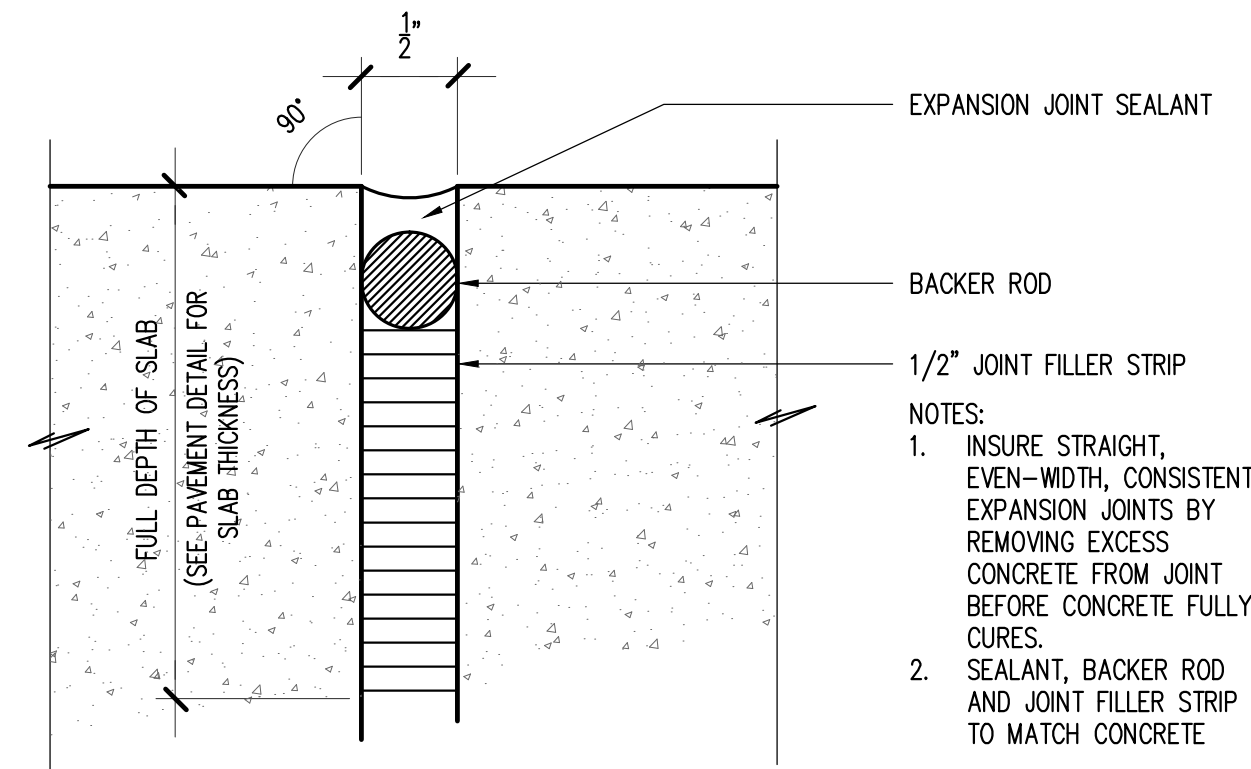
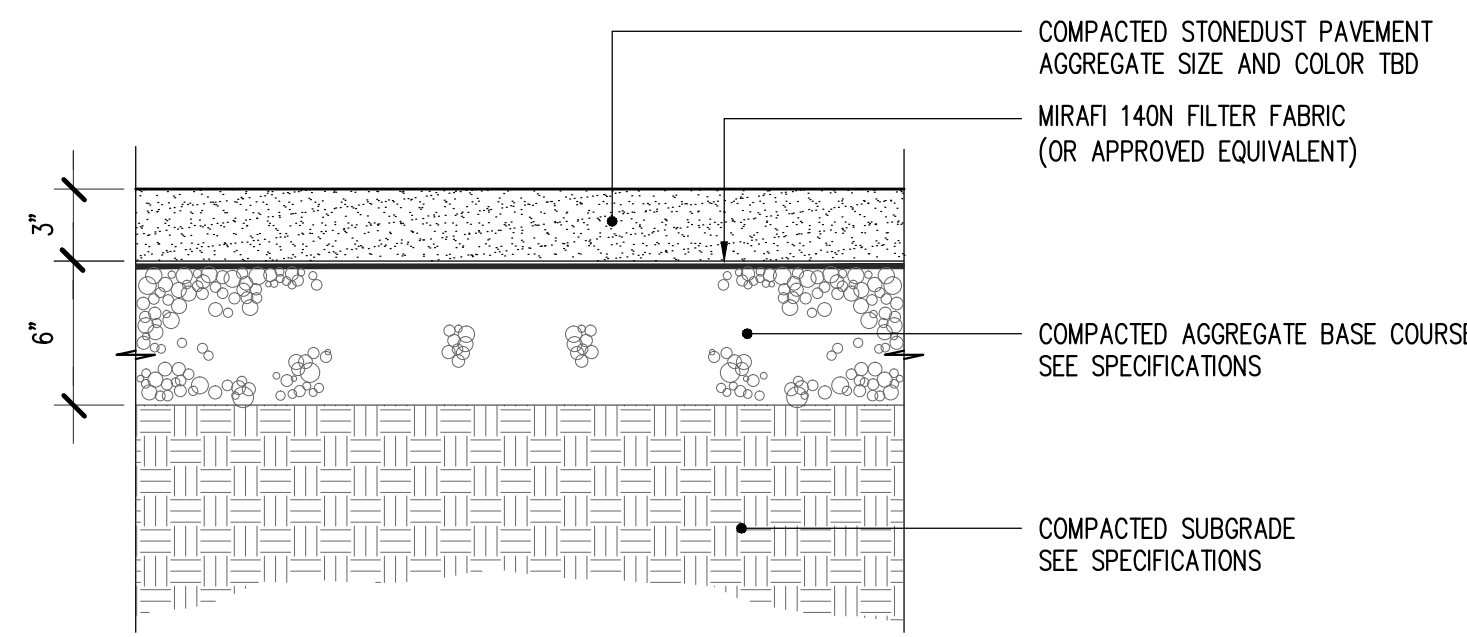


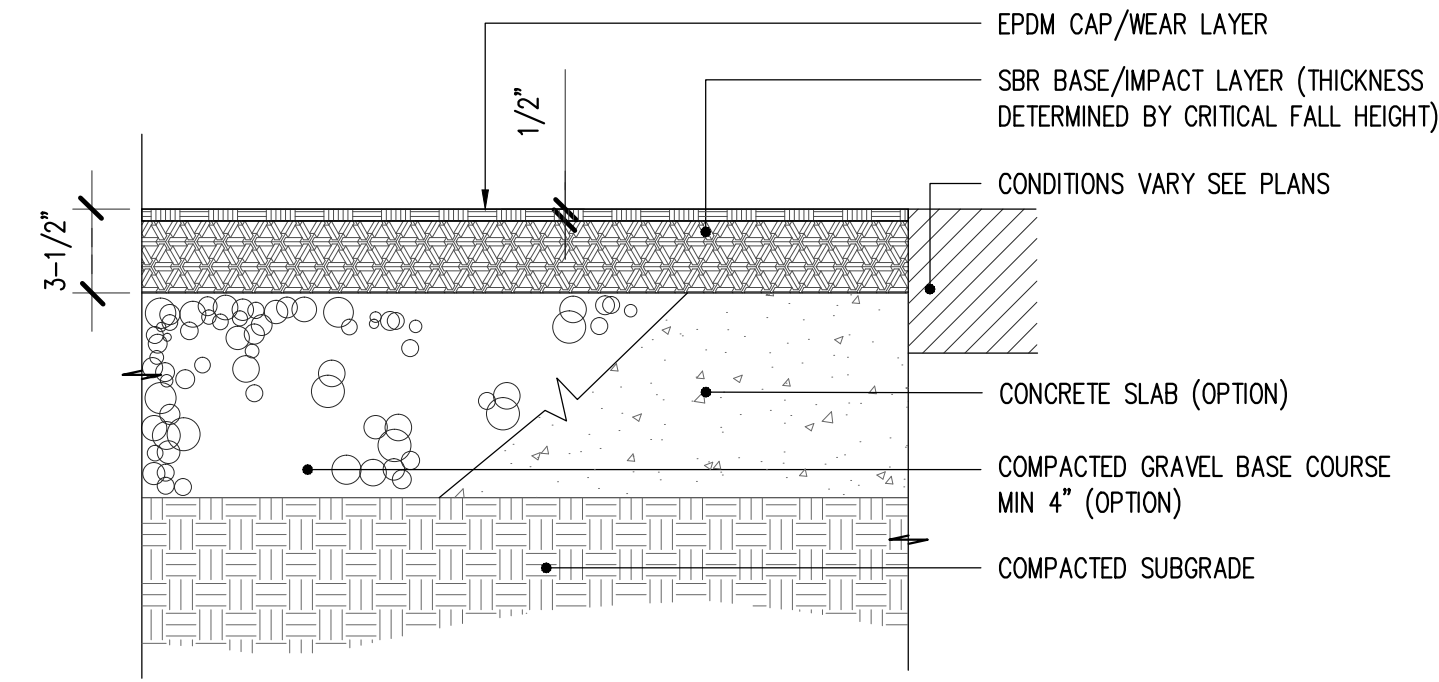
1 C.I.P. CONCRETE PAVING
1-1/2" = 1'-0"



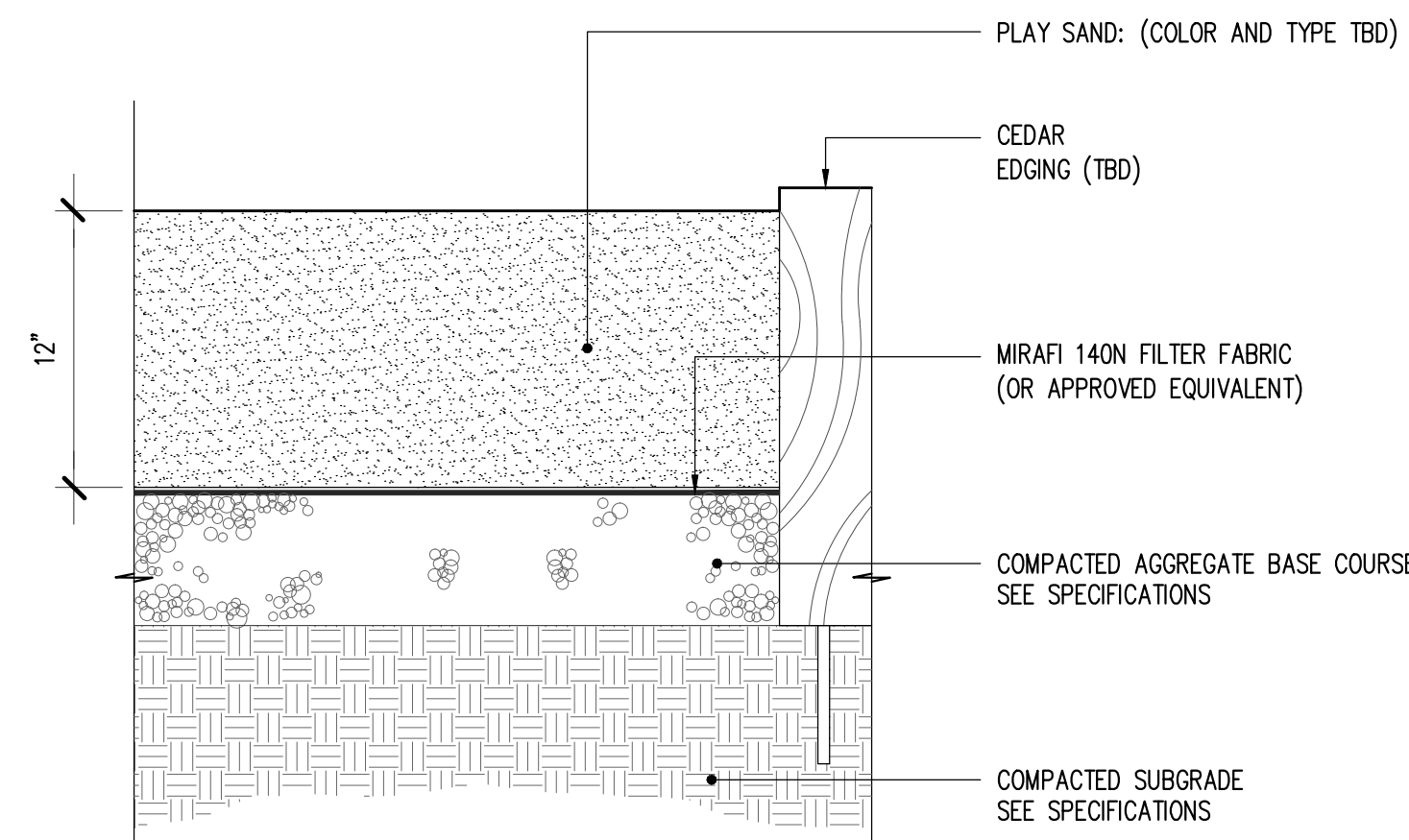
2 EXPANSION JOINT
1" = 0" = 1'-0"



3 STONE DUST PATH
1-1/2" = 1'-0"



4 IMPERVIOUS PLAYGROUND SURFACE: (POURED IN PLACE RUBBER OPTION)
1-1/2" = 1'-0"



5 NATURAL PLAYGROUND
1-1/2" = 1'-0"

NOT FOR CONSTRUCTION

THIS DRAWING IS THE PROPERTY OF SCOTT SIMONS ARCHITECTS (SSA) AND IS NOT TO BE COPIED OR REPRODUCED IN PART OR WHOLE. 2016 © SCOTT SIMONS ARCHITECTS, LLC

1	DATE
2	DATE
3	DATE
4	DATE
5	DATE
6	DATE

16 FEBRUARY 2016

PLANNING BOARD SUBMISSION

CONSTRUCTION DETAILS

L-6.0