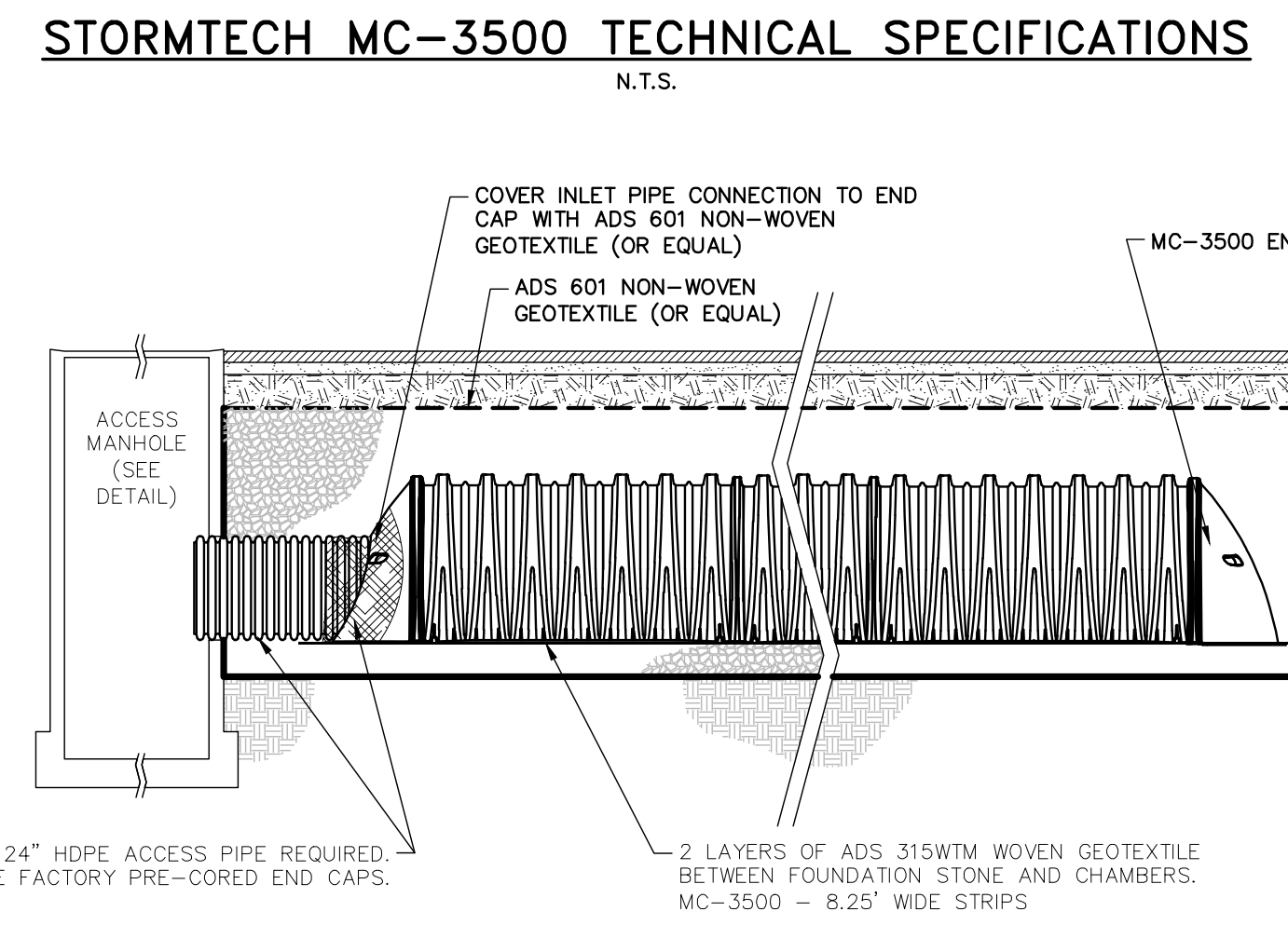
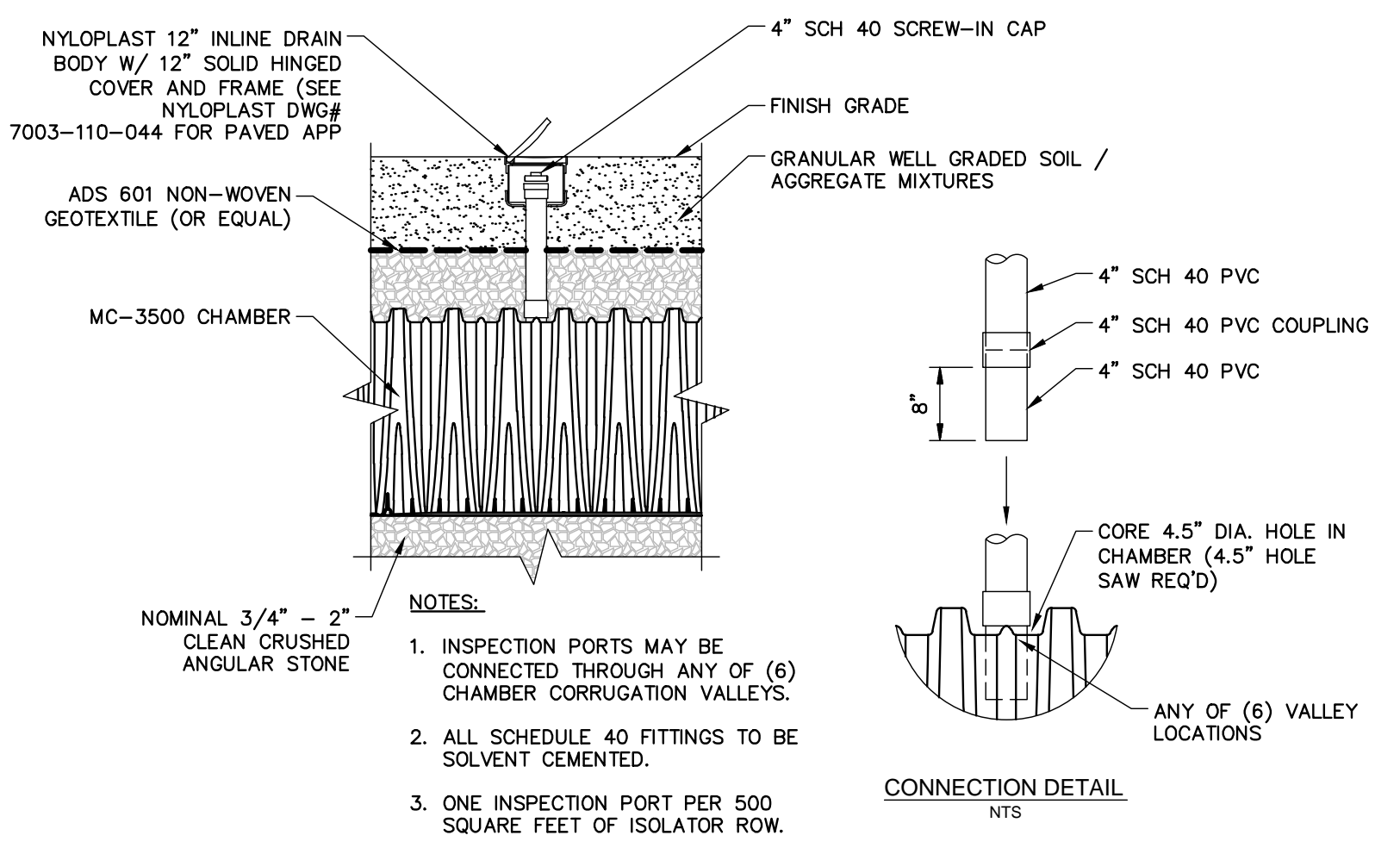
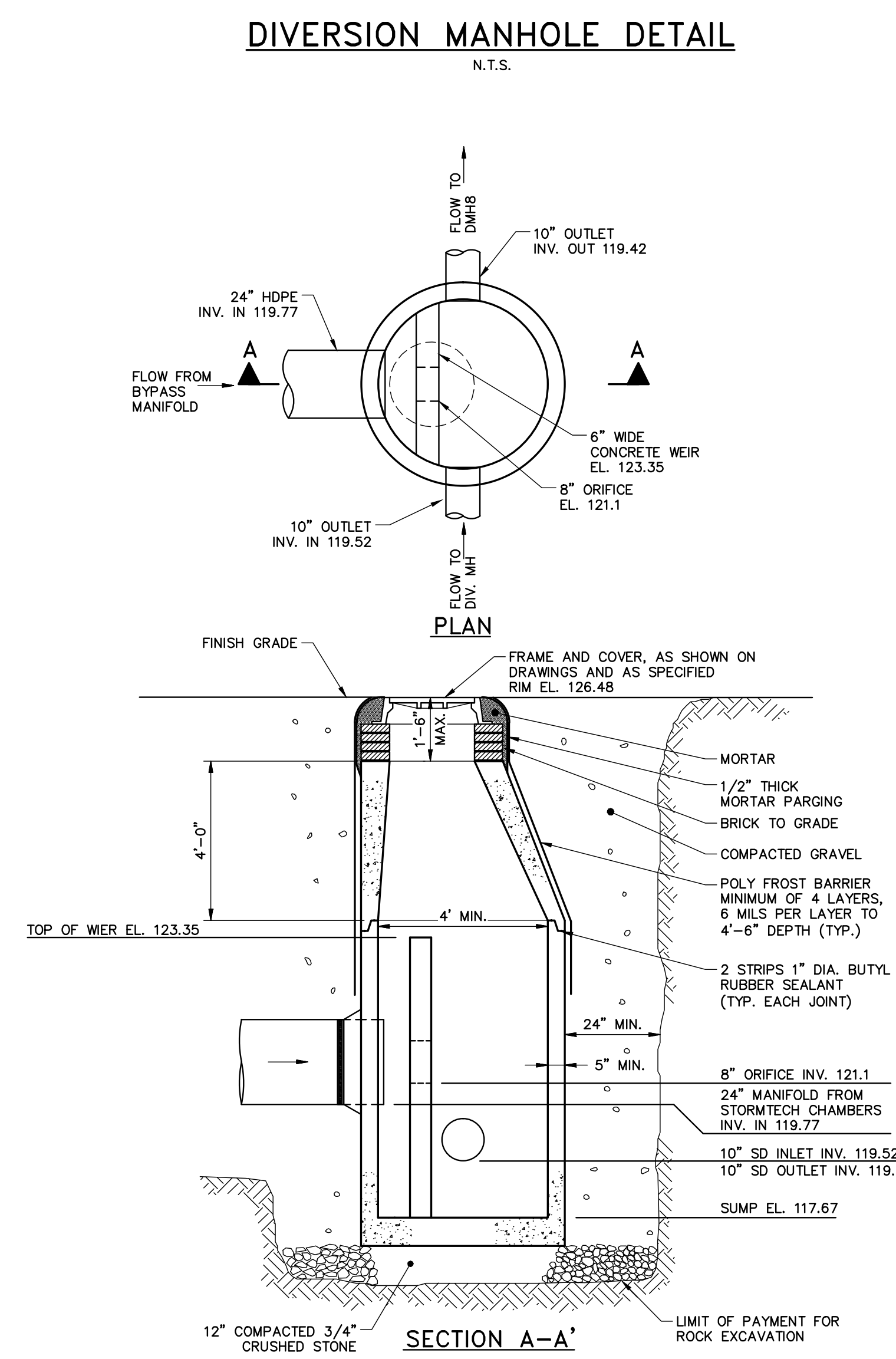
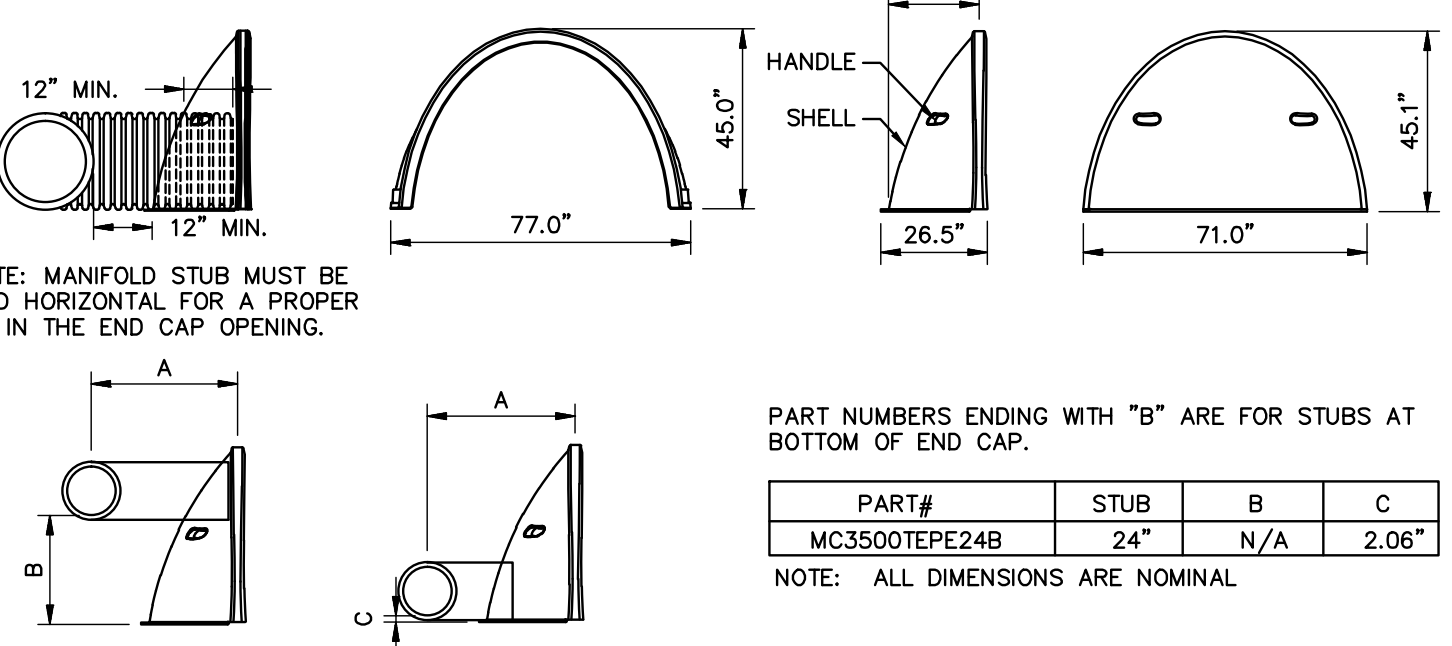
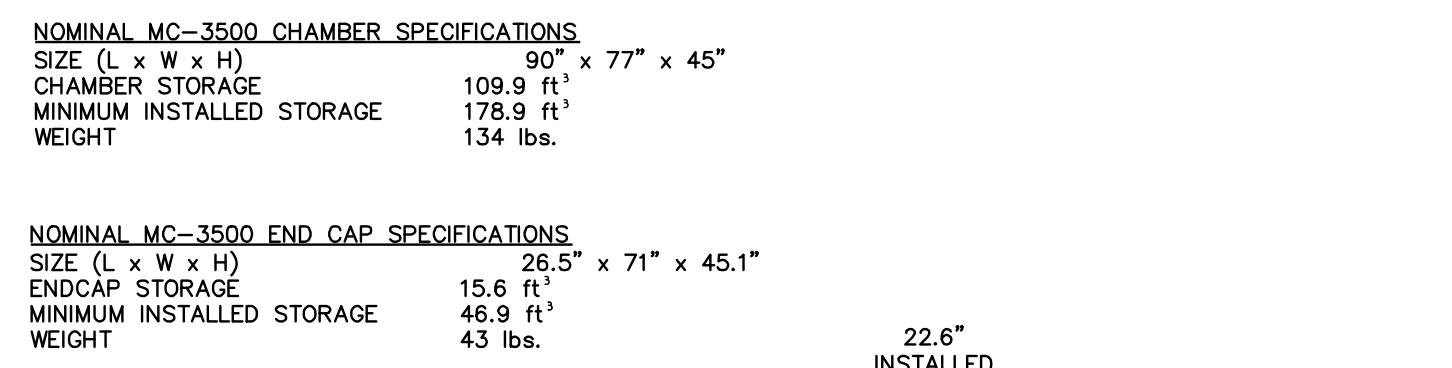
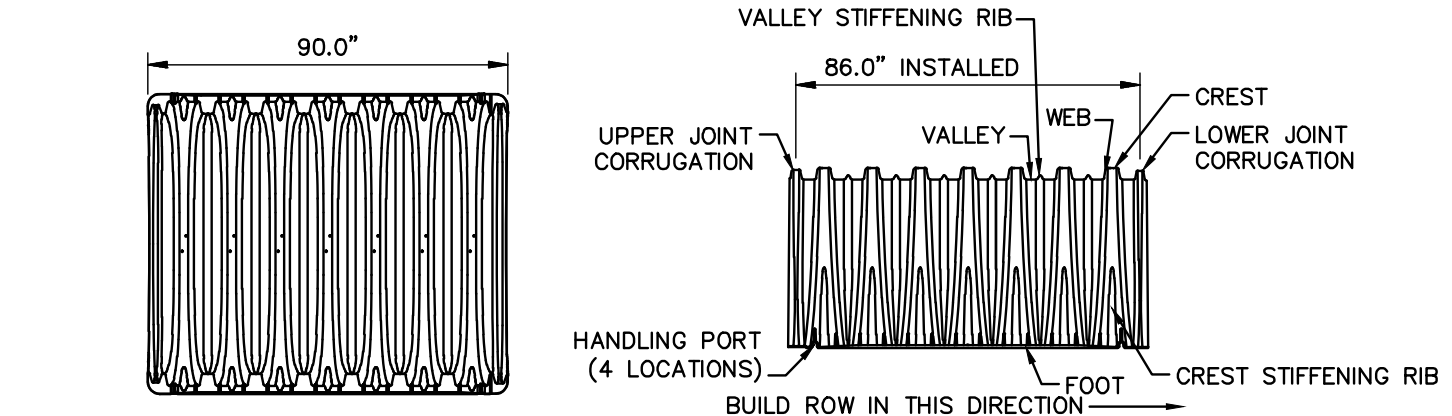


- NOTE:**
- PERIMETER STONE MUST ALWAYS BE BROUGHT UP EVENLY WITH BACKFILL OF BED. PERIMETER STONE MUST EXTEND HORIZONTALLY TO THE EXCAVATION WALL FOR BOTH STRAIGHT OR SLOPED SIDEWALLS.
 - UNDERDRAINS MUST BE PLACED AT LEAST ONE EVERY 8'.



NOT FOR CONSTRUCTION

PROJECT NAME:
WAYNFLETE GYM + LOWER SCHOOL
NEW CONSTRUCTION
WAYNFLETE SCHOOL
360 SPRING STREET
PORTLAND, MAINE 04102

SEAL:

LAUREN JANE SWETT
12284
2/16/2016

THIS DRAWING IS THE PROPERTY OF SCOTT SIMONS ARCHITECTS (SSA) AND IS NOT TO BE COPIED OR REPRODUCED IN PART OR WHOLE.
2015 © SCOTT SIMONS ARCHITECTS, LLC

REVISION:

NO.	DATE	DATE	DATE	DATE	DATE
1					
2					
3					
4					
5					
6					

DATE OF ISSUE: FEBRUARY 2016
PROJECT NUMBER: 229423
STATUS: PLANNING BOARD SUBMISSION

CIVIL DETAILS - 5

D-204