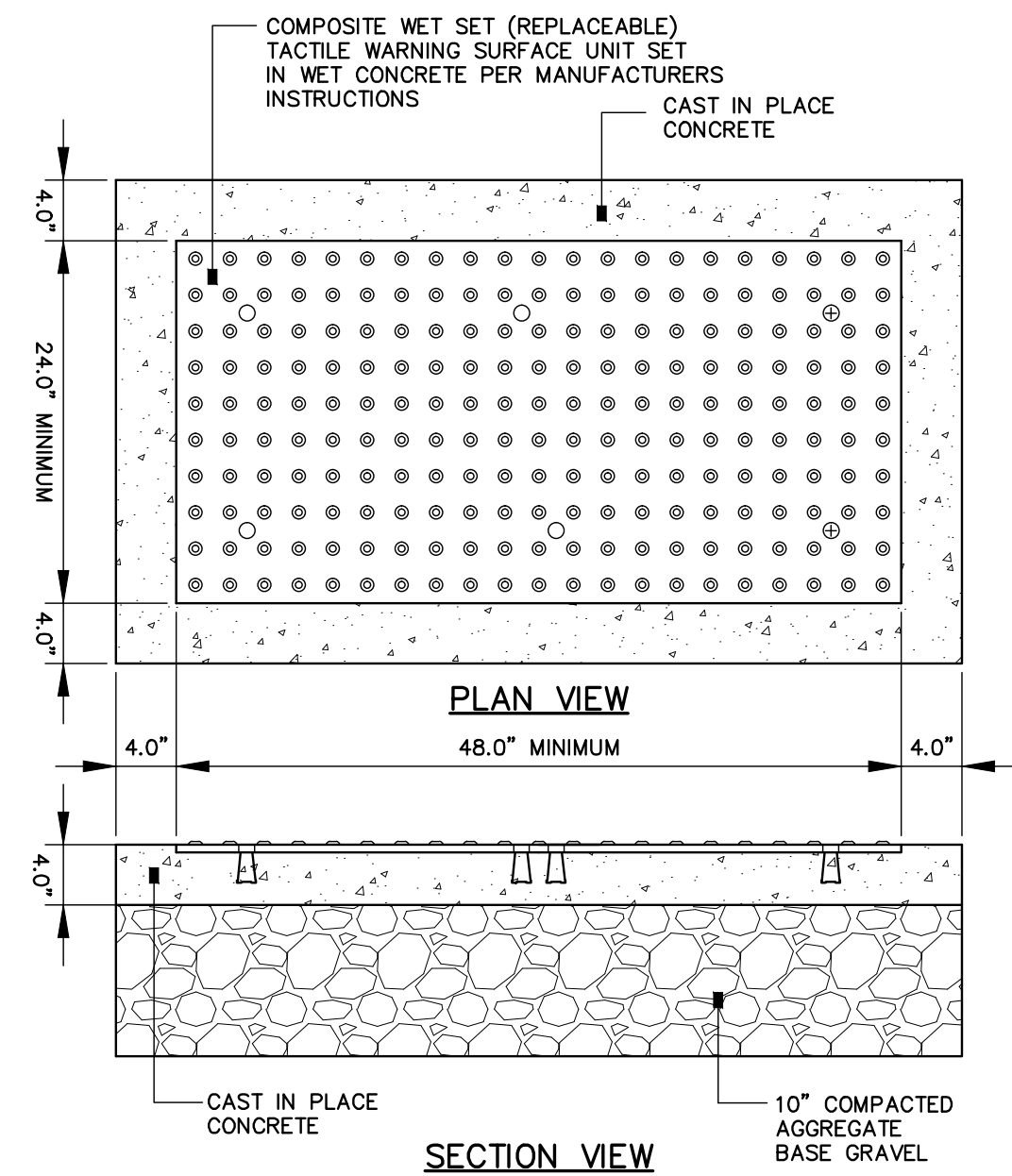
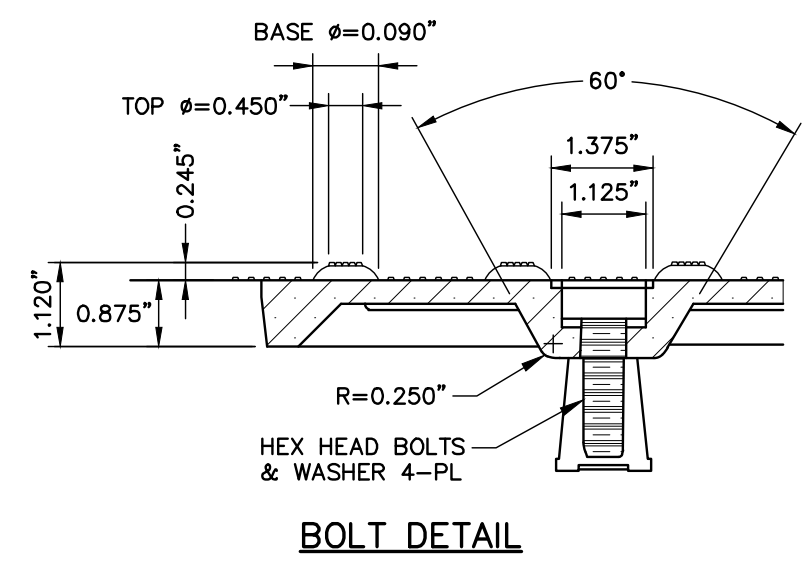


GRANITE STREET MONUMENT
N.T.S.

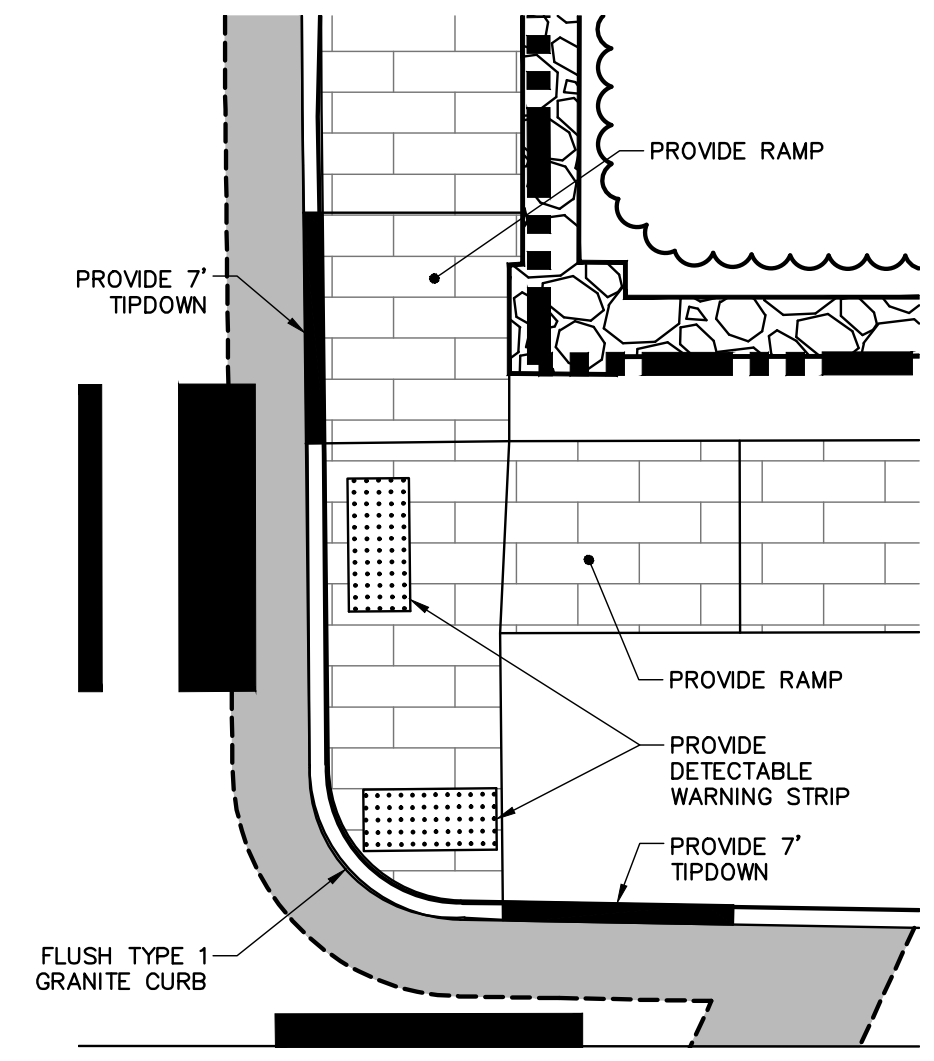
NOTE: AGGREGATE TYPES PER MDOT SECTION 304.02



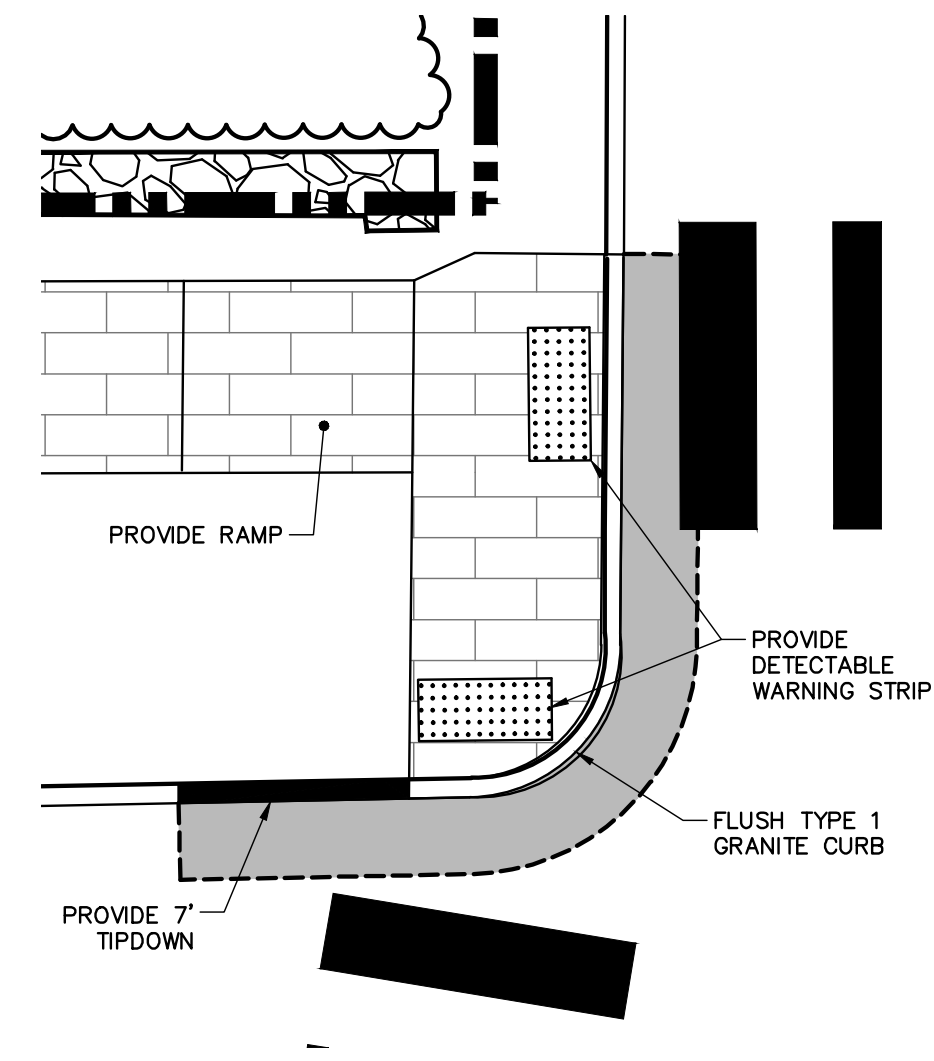
SIDEWALK RAMP DETECTABLE WARNING
N.T.S.

NOTES:

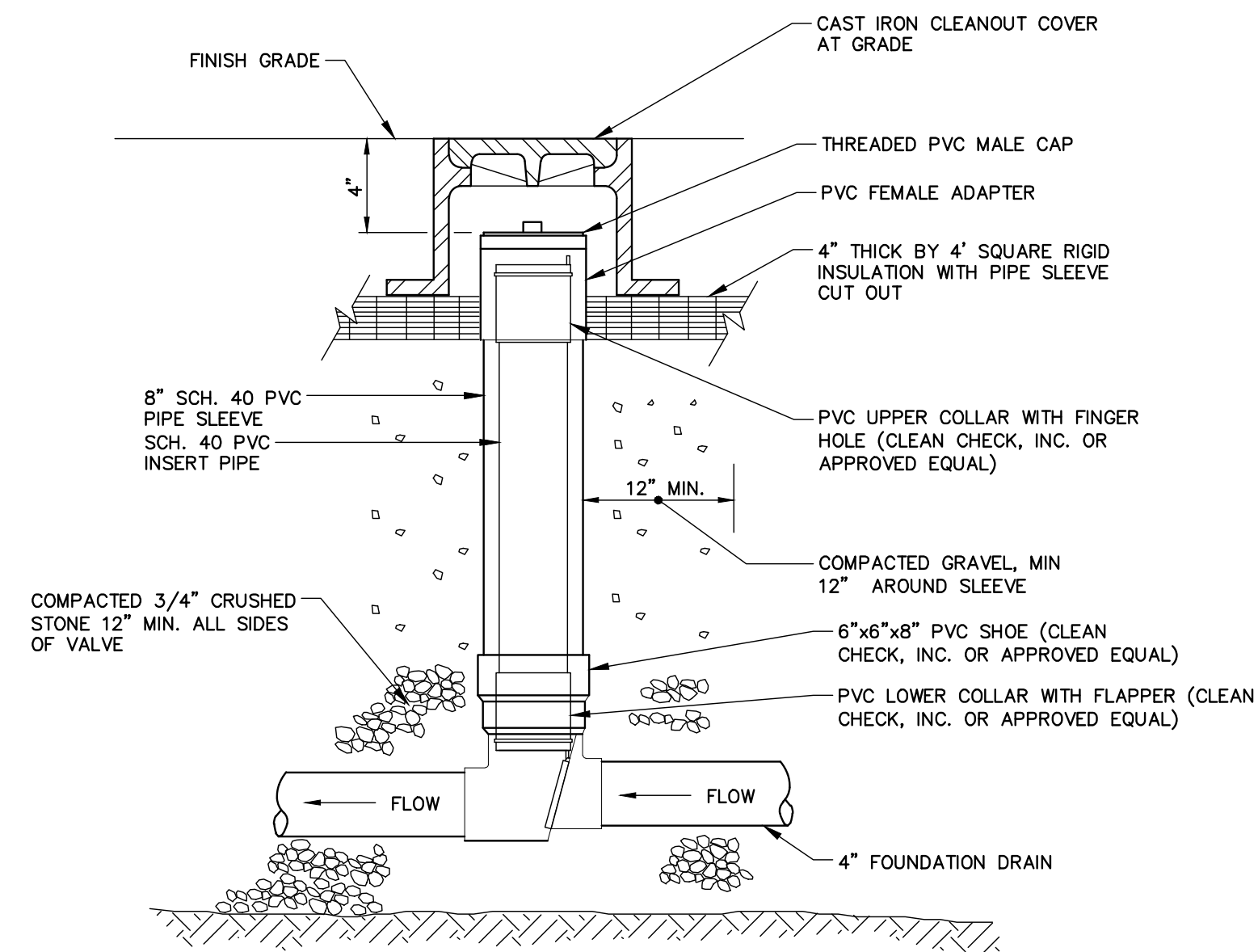
- COMPOSITE WET SET (REPLACEABLE) TACTILE WARNING SURFACE UNITS SHALL BE AS MANUFACTURED BY ADA SOLUTIONS, INC. (WWW.ADATILE.COM), OR APPROVED EQUAL.
- CAST IN PLACE CONCRETE SHALL MEET SPECIFICATIONS FOR MDOT CLASS A STRUCTURAL CONCRETE, MINIMUM COMPRESSIVE STRENGTH 4,000 PSI. THE CONCRETE SHALL BE SEALED PRIOR TO SETTING PANELS. THE EXPOSED CONCRETE BORDER SHALL RECEIVE A GROOVED EDGE BETWEEN THE TILE AND CONCRETE, ALONG WITH A UNIFORM BROOM FINISH PERPENDICULAR TO THE FLOW OF PEDESTRIAN TRAFFIC.
- TRUNCATED DOMES SHALL BE ALIGNED IN ROWS, PARALLEL AND PERPENDICULAR TO THE PREDOMINANT DIRECTION OF TRAVEL. TRUNCATED DOME BRICKS AND GRANITE PAVERS ARE NOT ALLOWED.
- FOR ALL SIDEWALK RAMPS MADE OF CONCRETE OR ASPHALT, FEDERAL YELLOW COLORED (#33538) TILES SHALL BE USED. FOLLOW MANUFACTURER'S INSTRUCTIONS FOR INSTALLATION.
- FOR ALL SIDEWALK RAMPS MADE OF BRICK, SEATTLE YELLOW (#23594) COATED COLORED TILES SHALL BE USED.



ADA RAMP AT FLETCHER & DANFORTH INTERSECTION
SCALE: 1"=5'



ADA RAMP AT STORER & DANFORTH INTERSECTION
SCALE: 1"=5'



BACKFLOW PREVENTER
N.T.S.

NOTE: MATERIALS AND INSTALLATION PER MANUFACTURER'S INSTRUCTIONS

NOT FOR CONSTRUCTION

PROJECT NAME:
WAYNFLETE GYM + LOWER SCHOOL
NEW CONSTRUCTION
WAYNFLETE SCHOOL
360 SPRING STREET
PORTLAND, MAINE 04102

SEAL:

2/16/2016

THIS DRAWING IS THE PROPERTY OF SCOTT SIMONS ARCHITECTS (SSA) AND IS NOT TO BE COPIED OR REPRODUCED IN PART OR WHOLE.
2015 © SCOTT SIMONS ARCHITECTS, LLC

REVISION:

1	DATE
2	DATE
3	DATE
4	DATE
5	DATE
6	DATE

DATE OF ISSUE: FEBRUARY 2016
PROJECT NUMBER: 228423
STATUS: PLANNING BOARD SUBMISSION

CIVIL DETAILS - 3

D-202