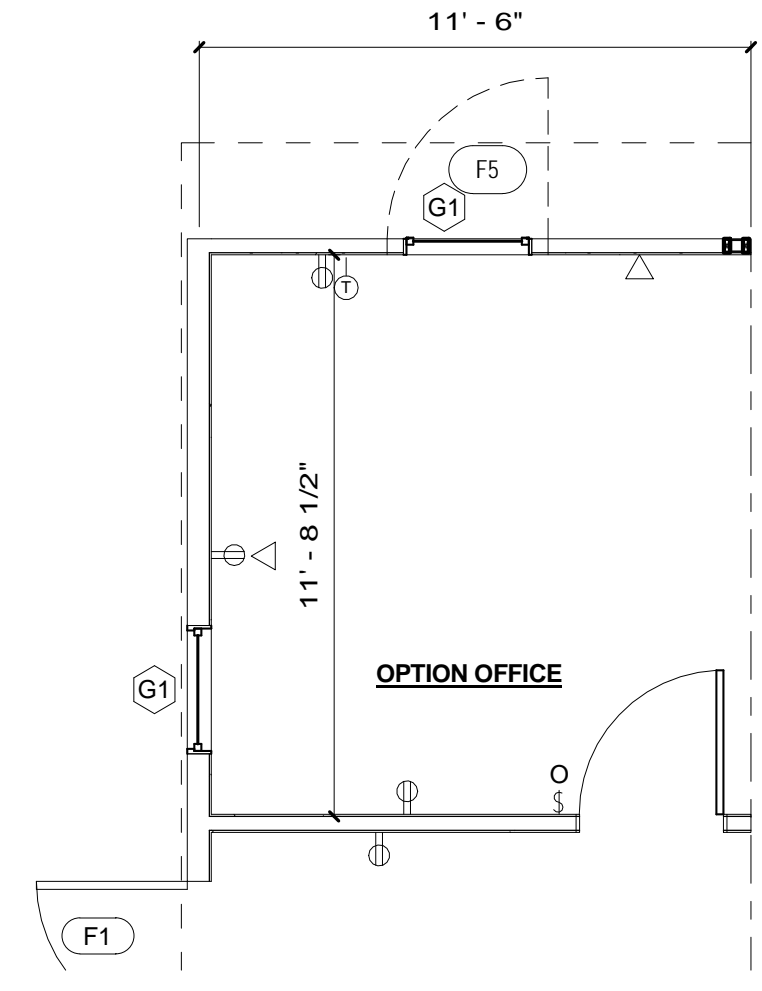
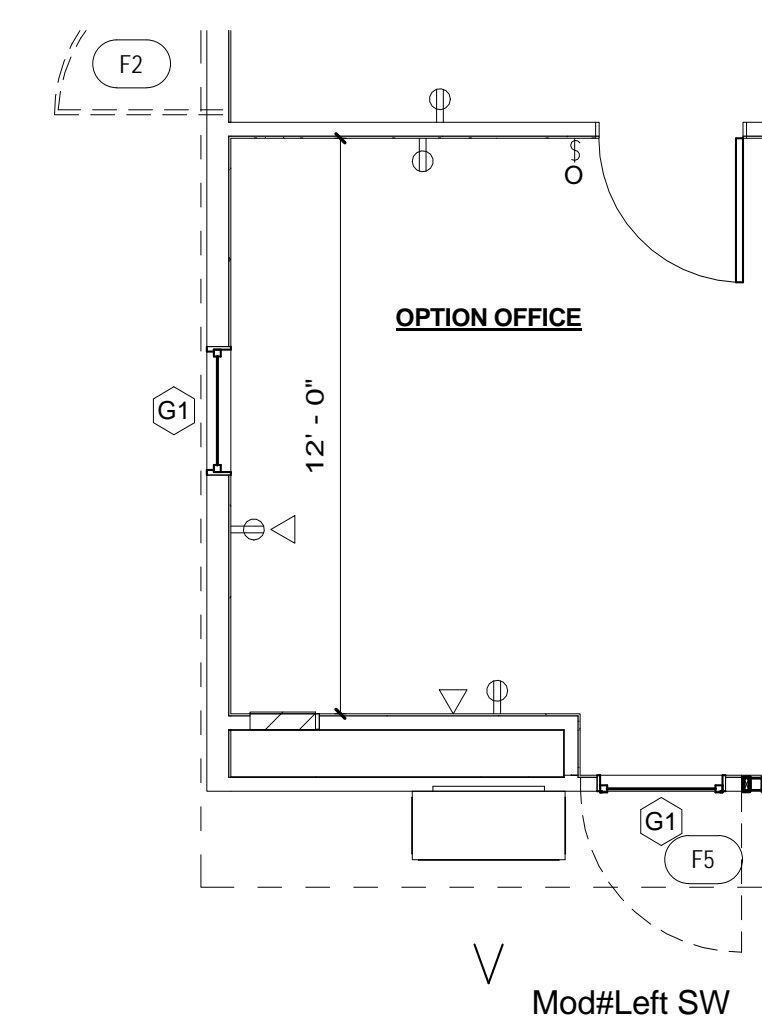


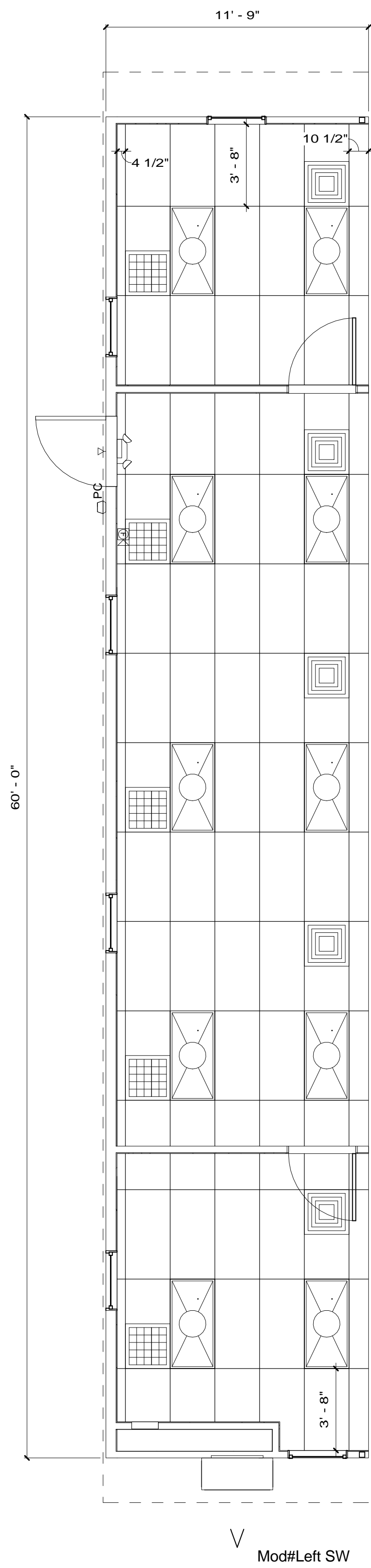
1 Floor Plan
1/4" = 1'-0"



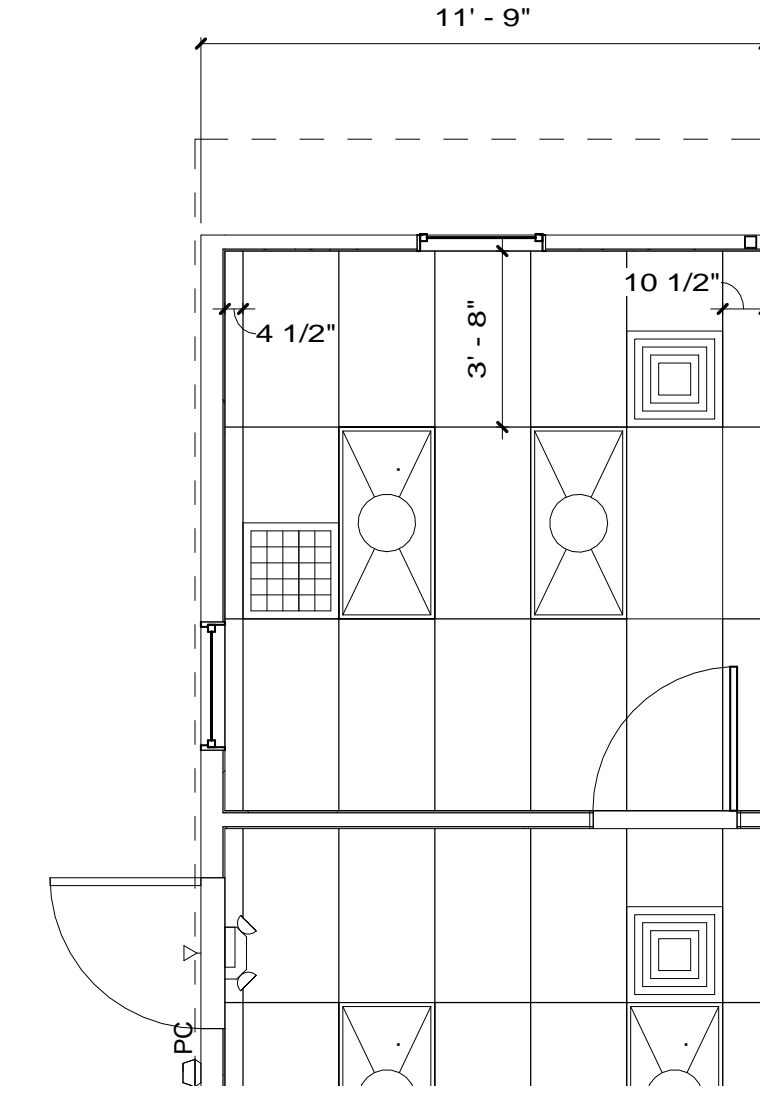
1b Floor Plan Office Opt 2
1/4" = 1'-0"



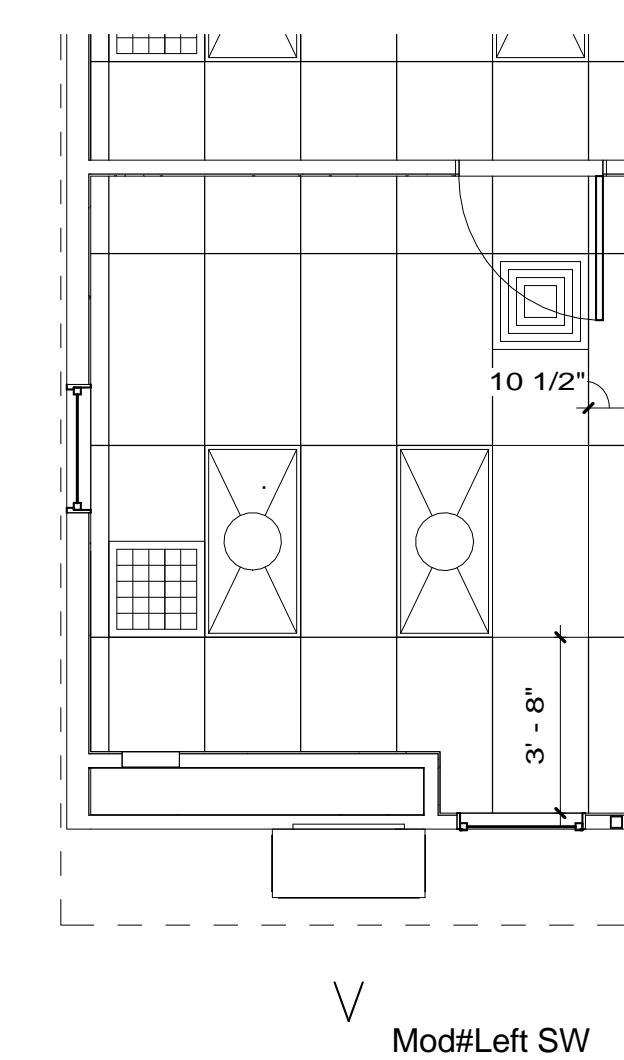
1a Floor Plan Office Opt 1
1/4" = 1'-0"



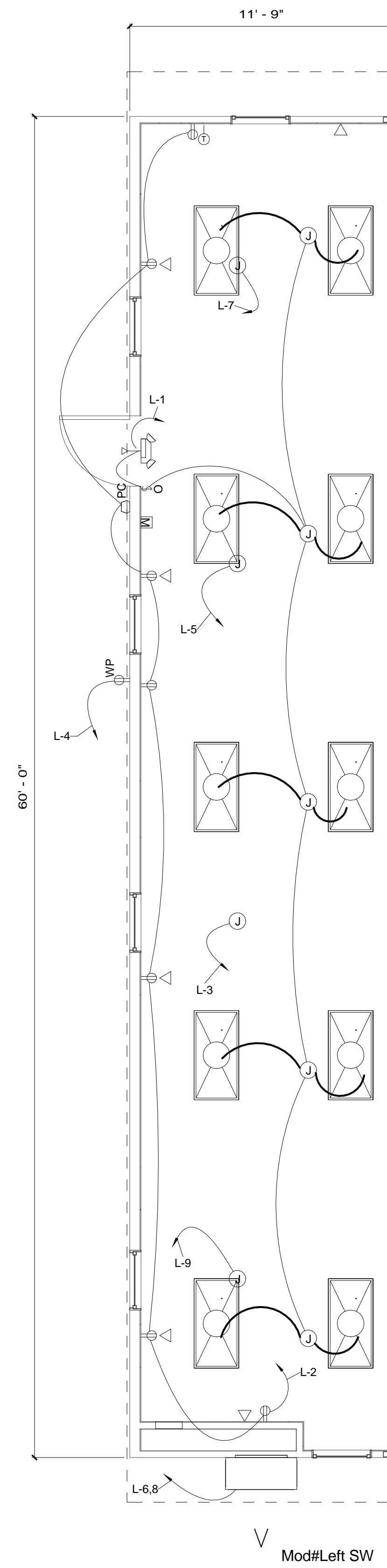
2 Ceiling Plan
1/4" = 1'-0"



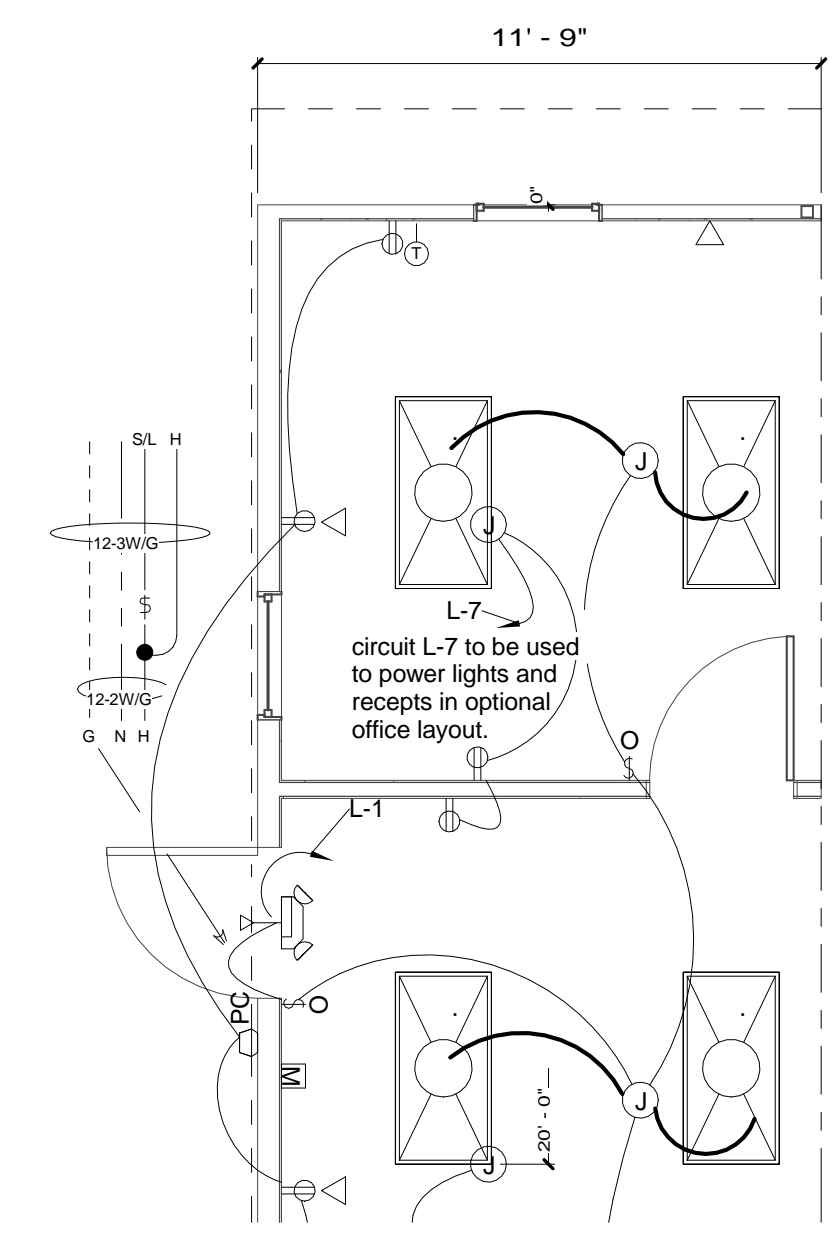
2b Ceiling Plan Office Opt 2
1/4" = 1'-0"



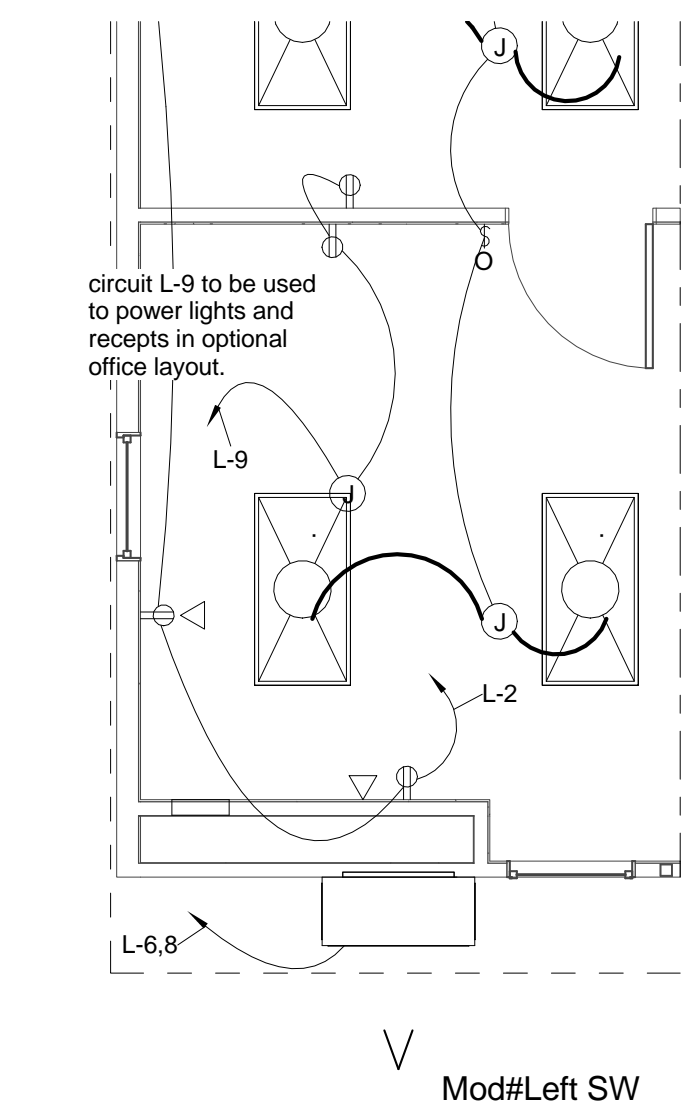
2a Ceiling Plan Office Opt 1
1/4" = 1'-0"



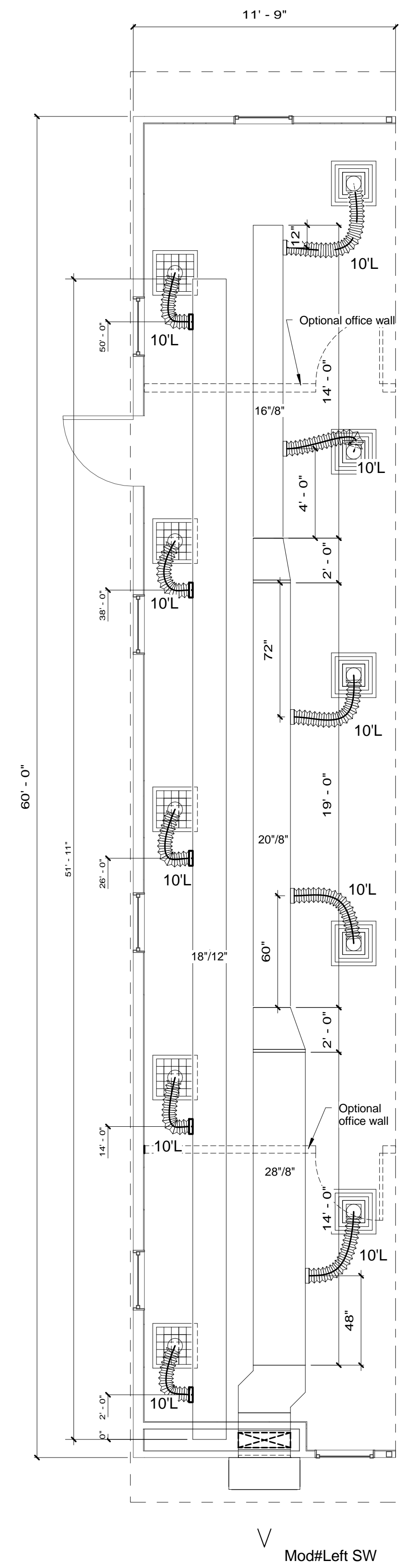
3 Electrical Plan
1/4" = 1'-0"



6 Electrical Plan Office 2
1/4" = 1'-0"



5 Electrical Plan Office 1
1/4" = 1'-0"



4 HVAC Plan
1/4" = 1'-0"

Legend	
H1	PC
H9	H13
EM	H18
H11	H21
H9a	H24
H1	H25
H1	H29
H1	H22
H1	H24
H1	H25
H1	H29
H33	J13a
H35	J14
H36	J15
H36	J17
H33	J13a
H35	J14
H36	J15
H36	J17
K4	K8
K6	K10

Note: Identification hexagons on the drawings and in the symbol legend correspond to the project specifications. The letter in the hexagon matches the specification section, the number in the hexagon matches the section number. * denotes items only in right sidewall modules with restrooms

No.	Description	Date	No.	Description	Date

THIS DRAWING AND ALL INFORMATION CONTAINED HEREON IS THE PROPERTY OF WHITLEY MFG. CO. INC. AND IS NOT TO BE REPRODUCED WITHOUT THE EXPRESS PERMISSION OF WHITLEY MFG. CO., INC. WHITLEY MFG. CO. INC. ASSUMES NO RESPONSIBILITY FOR UNAUTHORIZED USE OF THIS DRAWING.

201 WEST FIRST STREET
P.O. BOX 496
SOUTH WHITLEY, IN 46787
PHONE: 260.723.5131
FAX: 260.723.6396
www.whitleyman.com

2756 FORT WAYNE ROAD
P.O. BOX 505
ROCHESTER, IN 46785
PHONE: 574.223.4834
FAX: 574.223.8779

64 HESS ROAD
LEOLA, PA 17540
PHONE: 717.656.2081
FAX: 717.656.8149



Drawn By: Irs-sub
Checked By: LH/PG
Rev:

LEFT SIDEWALL
FLOOR/REFLECTED CEILING/ELECTRICAL/MECHANICAL PLAN

Model# 7111
64'X12' (60'-0"X11'-9" modules)

Serial No.	Date:
	3-10-15
Quote No.	Scale:
	1/4" = 1'-0"
Model No.	Page No.
7111	A2.1L
Job No.	

7/23/15 12:15:05 PM