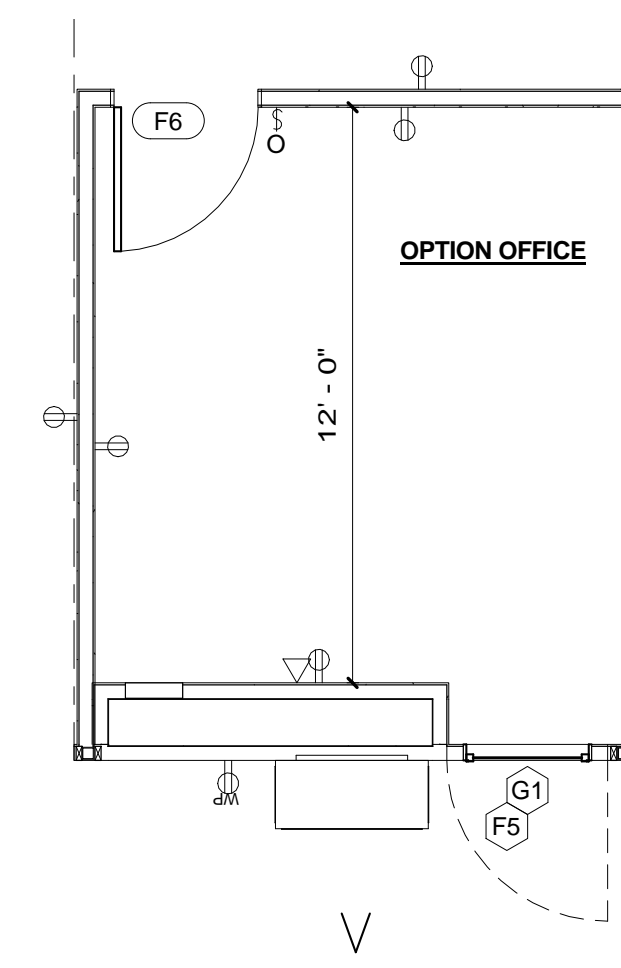
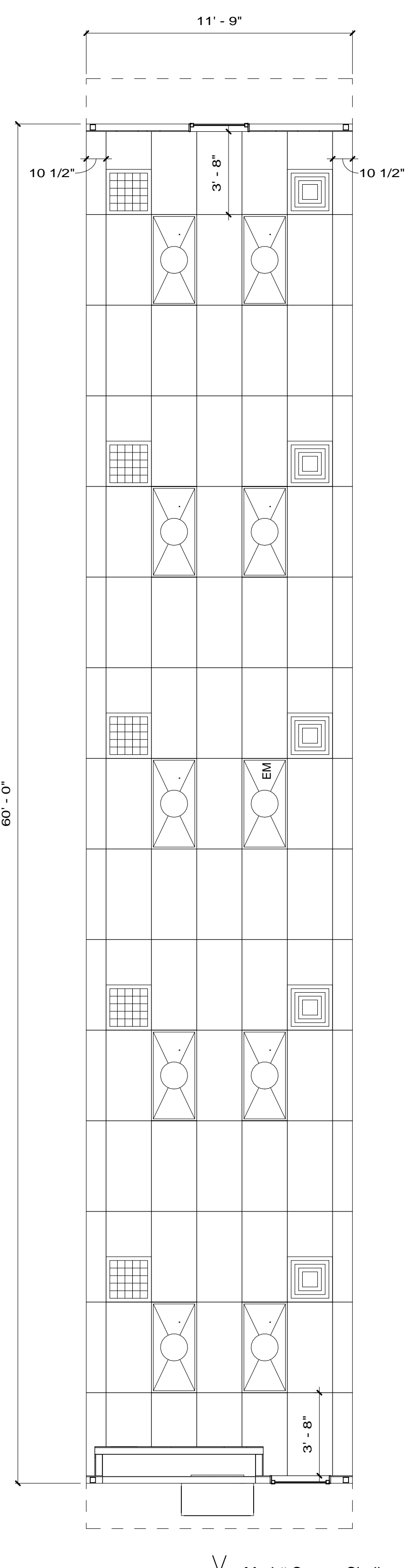


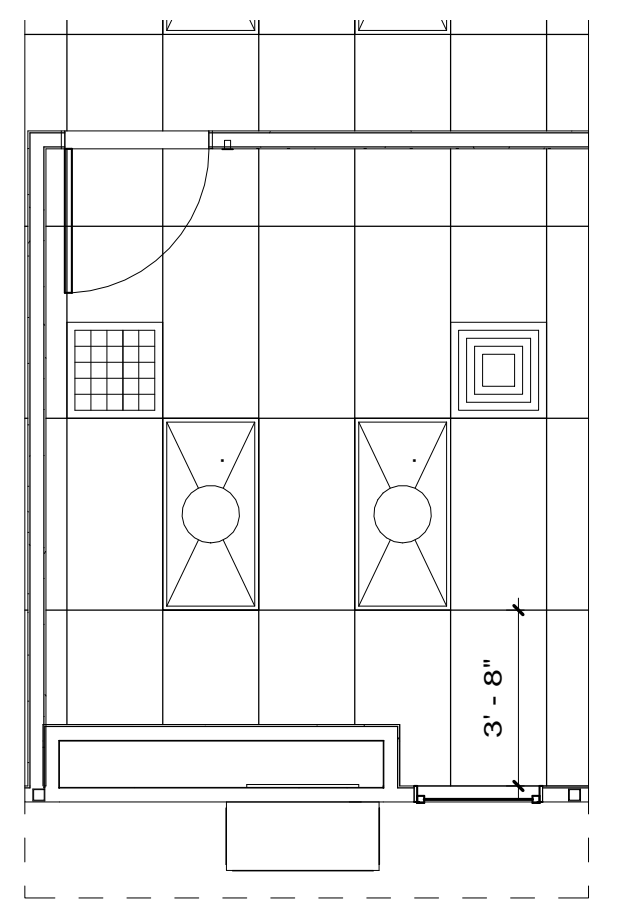
1a Floor Plan Office Opt 1
1/4" = 1'-0"



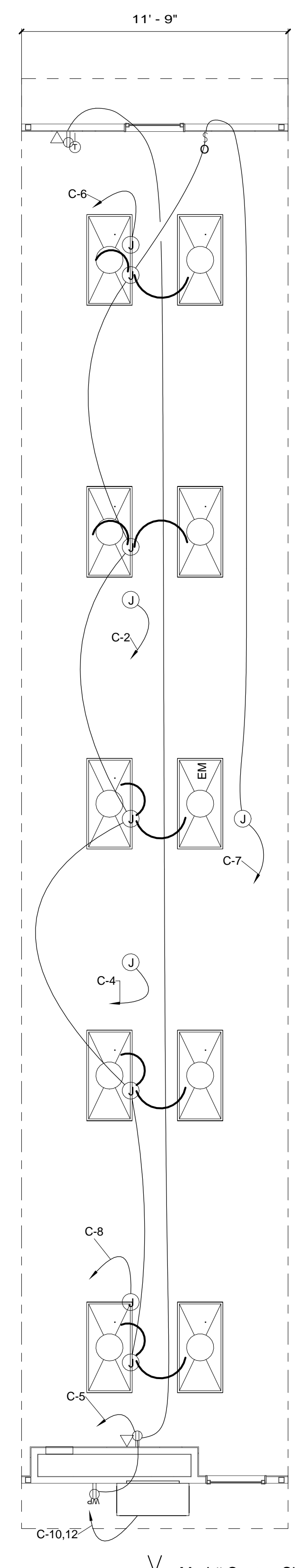
1b Floor Plan Office Opt 2
1/4" = 1'-0"



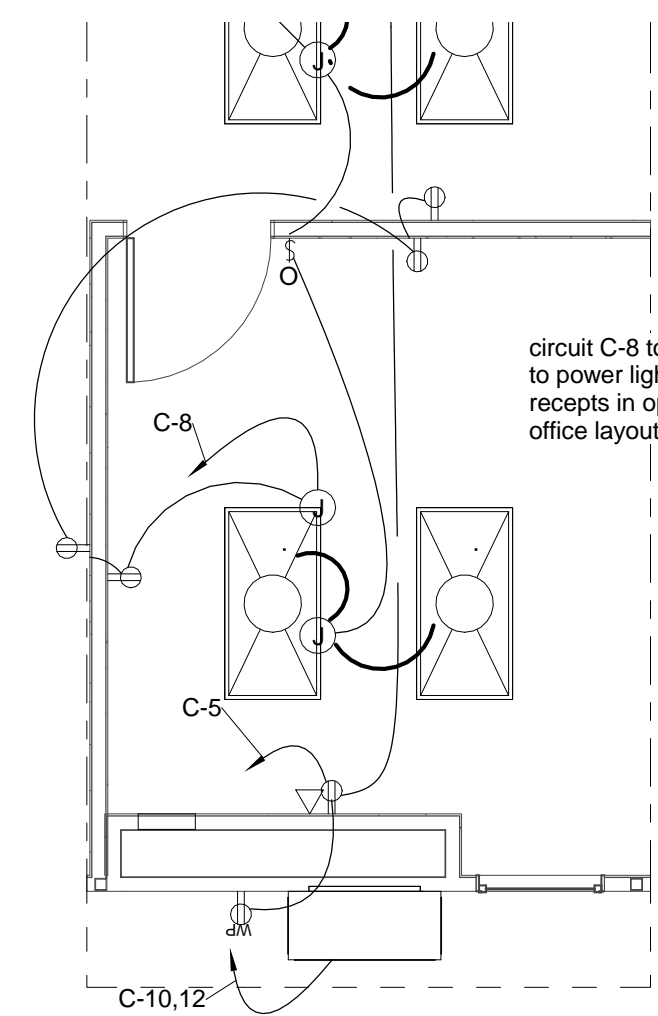
2a Ceiling Plan Office Opt 1
1/4" = 1'-0"



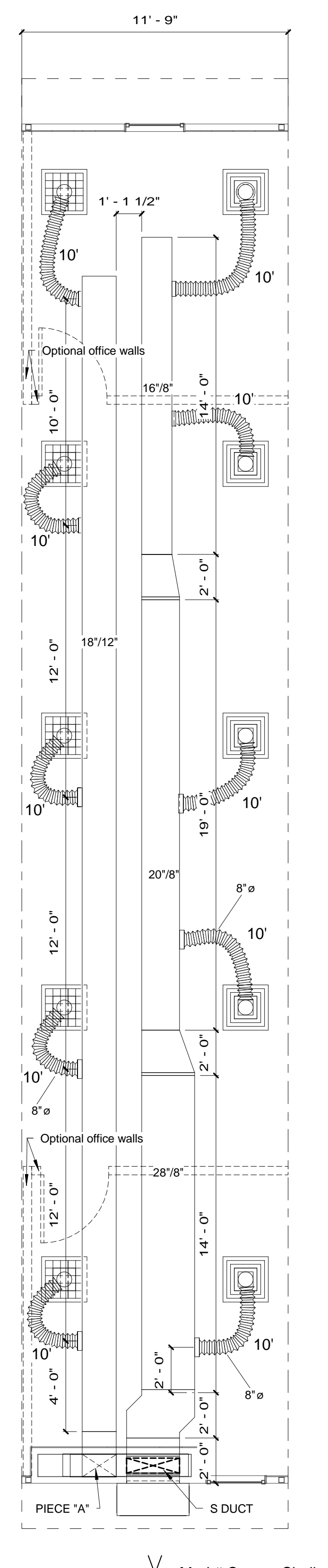
2b Ceiling Plan Office Opt 2
1/4" = 1'-0"



3a Electrical Plan Office 1
1/4" = 1'-0"



3b Electrical Plan Office 2
1/4" = 1'-0"



4 HVAC Plan
1/4" = 1'-0"

Legend

H1	PC	H13	H22	H33	J13a	K4	K8
H9	H18	H24	H35	J14	K6	K10	
H9a	REMOTE HEAD	H25	H36	J15			
H11	H21	H29	J17				

Note: Identification hexagons on the drawings and in the symbol legend correspond to the project specifications. The letter in the hexagon matches the specification section, the number in the hexagon matches the section number. * denotes items only in right sidewall modules with restrooms

No.	Description	Date	No.	Description	Date

THIS DRAWING AND ALL INFORMATION CONTAINED HEREON IS THE PROPERTY OF WHITLEY MFG. CO. INC. AND IS NOT TO BE REPRODUCED WITHOUT THE EXPRESS PERMISSION OF WHITLEY MFG. CO., INC. WHITLEY MFG. CO. INC. ASSUMES NO RESPONSIBILITY FOR UNAUTHORIZED USE OF THIS DRAWING.

201 WEST FIRST STREET
P.O. BOX 496
SOUTH WHITLEY, IN 46787
PHONE: 260.723.5131
FAX: 260.723.6396
www.whitleyman.com

2756 FORT WAYNE ROAD
P.O. BOX 505
ROCHESTER, IN 46875
PHONE: 574.223.4634
FAX: 574.223.8779

64 HESS ROAD
LEOLA, PA 17540
PHONE: 717.656.2681
FAX: 717.656.8149



Drawn By: LRS-SUB
Checked By: PG
Rev:

CENTER MODULE
FLOOR/REFLECTED CEILING/ELECTRICAL/MECHANICAL PLANS

Model# 7111
64'x12' (60'-0"x11'-9" MODULES)

Serial No.	Date:
Quote No.	3-10-15
Model No.	Scale:
7111	1/4" = 1'-0"
Job No.	Page No.
	A2.1c.

7/22/15 12:11:22 PM