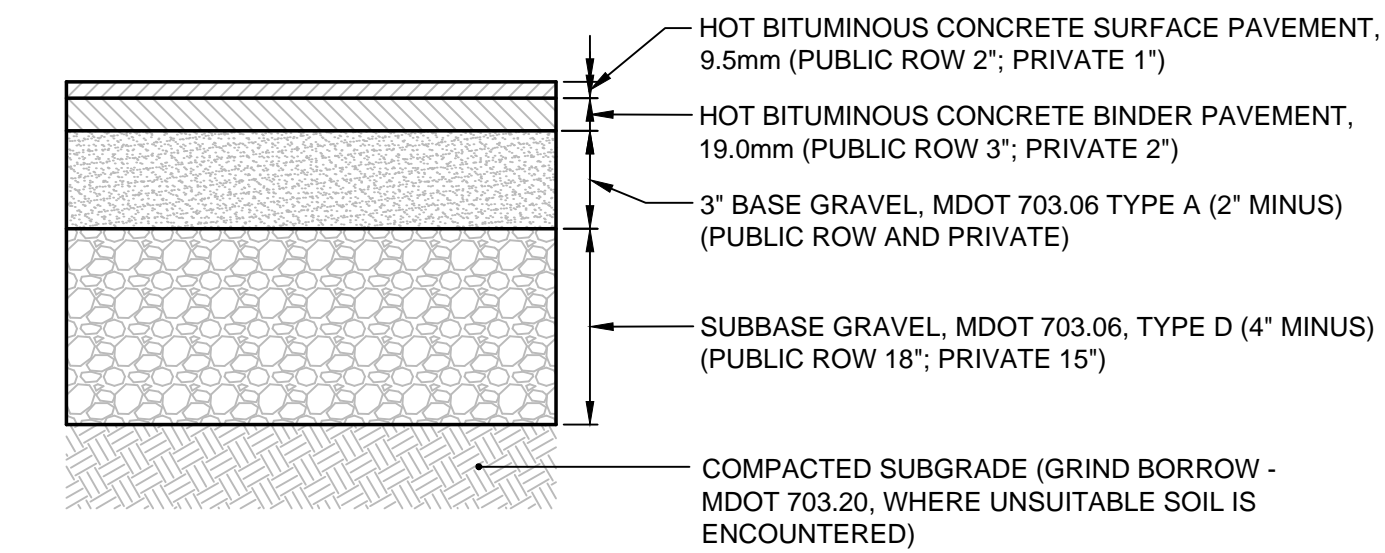
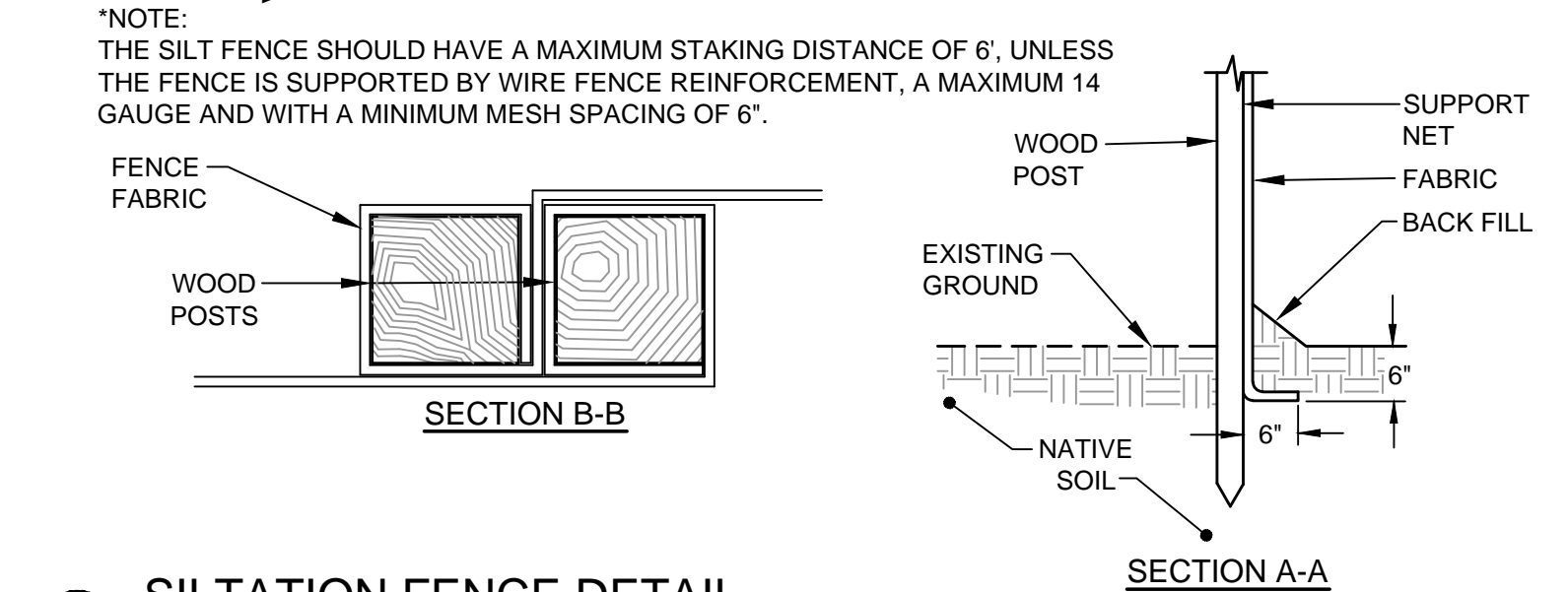
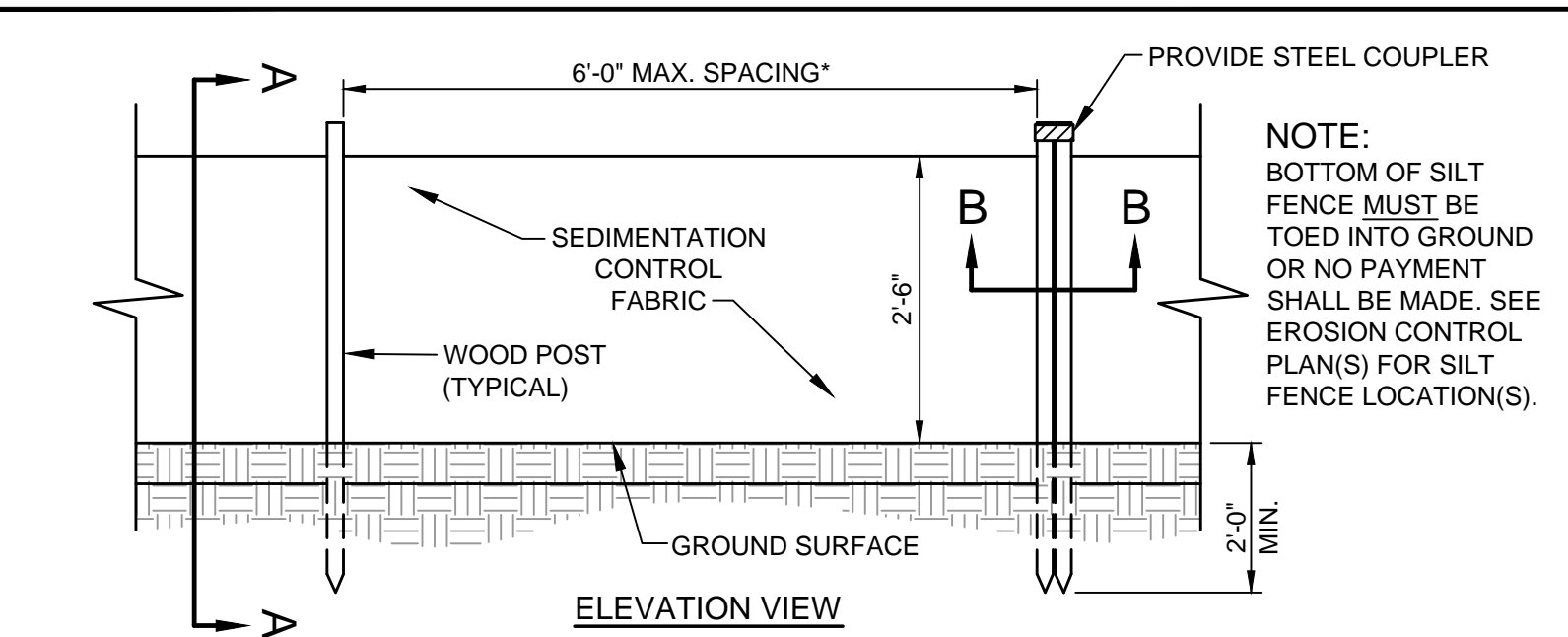


(A) PLAN VIEW OF MINOR EXCAVATION PAVEMENT REPAIR
AS OBTAINED FROM THE CITY OF PORTLAND "RULES AND REGULATIONS FOR EXCAVATION ACTIVITIES IN THE PUBLIC RIGHT OF WAY"

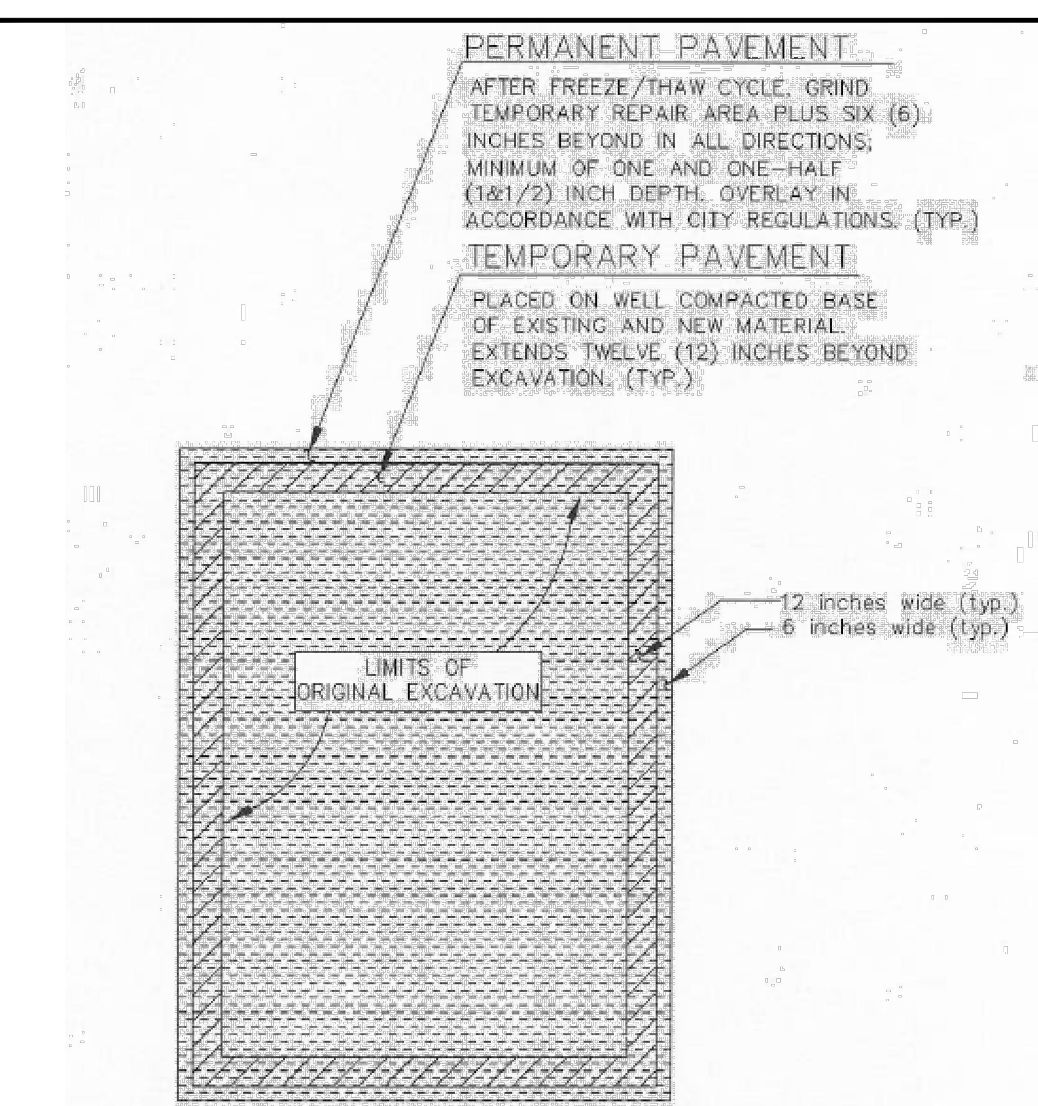


NOTES:
1. APPLY TACK COAT BETWEEN BINDER AND SURFACE COURSES.
2. ALL MATERIALS SHALL CONFORM TO MDOT SPECIFICATIONS, LATEST REVISION AND/OR CITY OF PORTLAND TECHNICAL STANDARD, WHICHEVER IS MORE STRINGENT. COMPACTION OF ALL MATERIALS TO BE IN ACCORDANCE WITH THE SPECIFICATIONS AND THE GEOTECHNICAL REPORT.

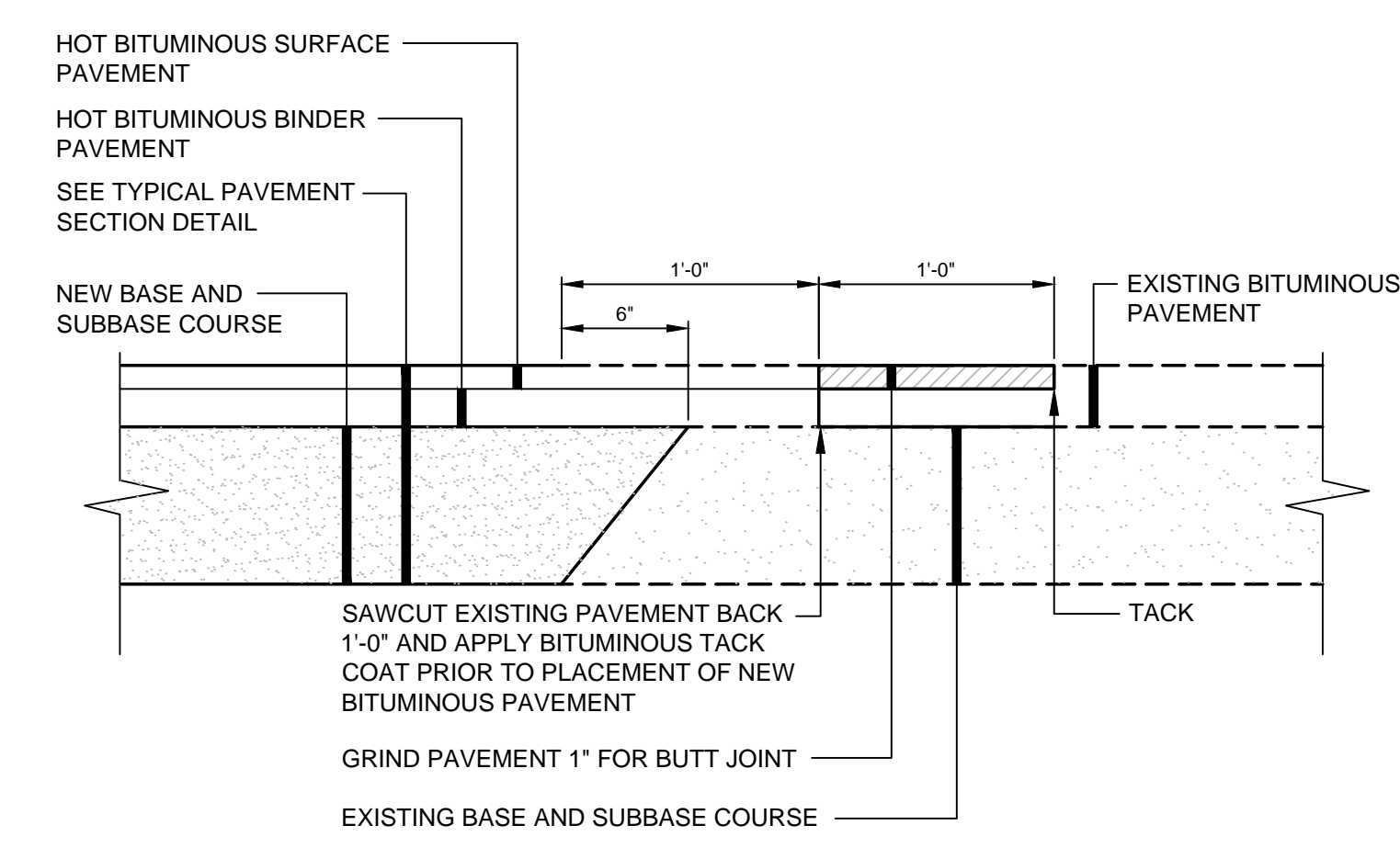
(D) BITUMINOUS CONCRETE PAVEMENT SECTION
N.T.S.



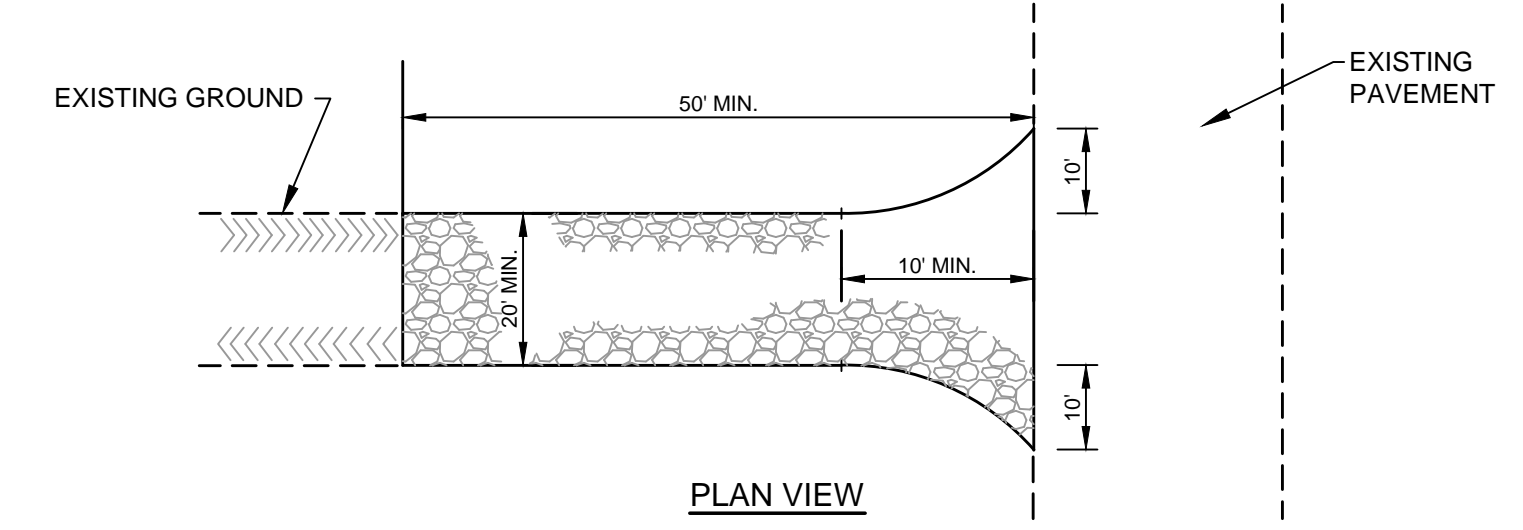
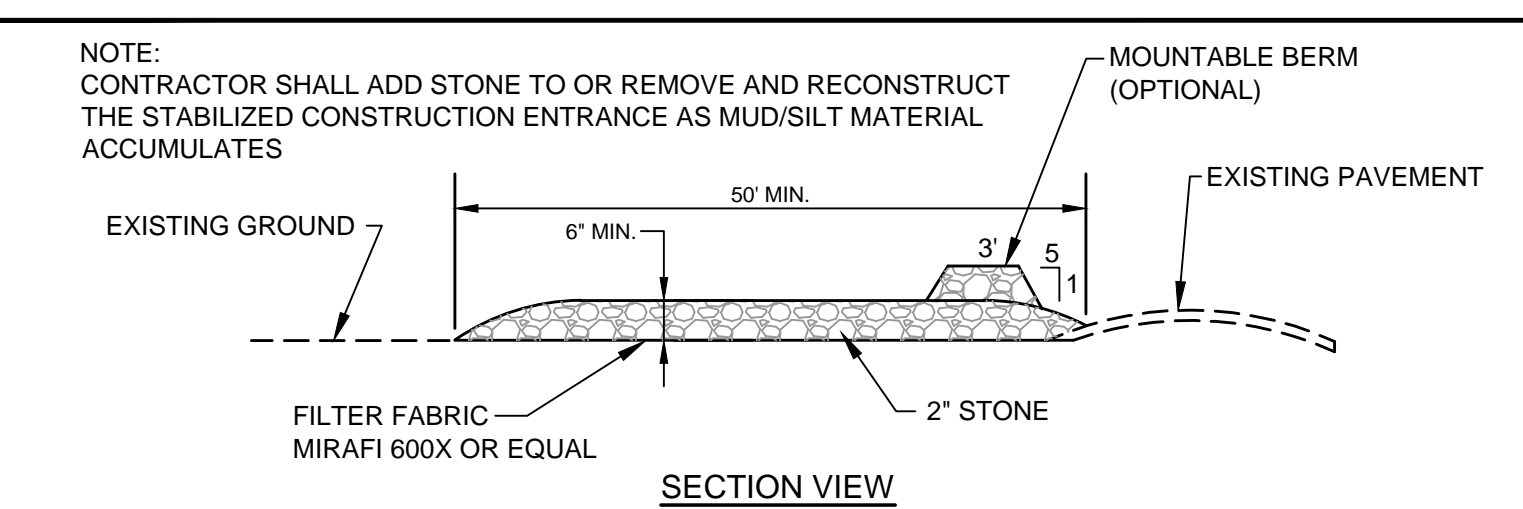
(G) SILTATION FENCE DETAIL
N.T.S.



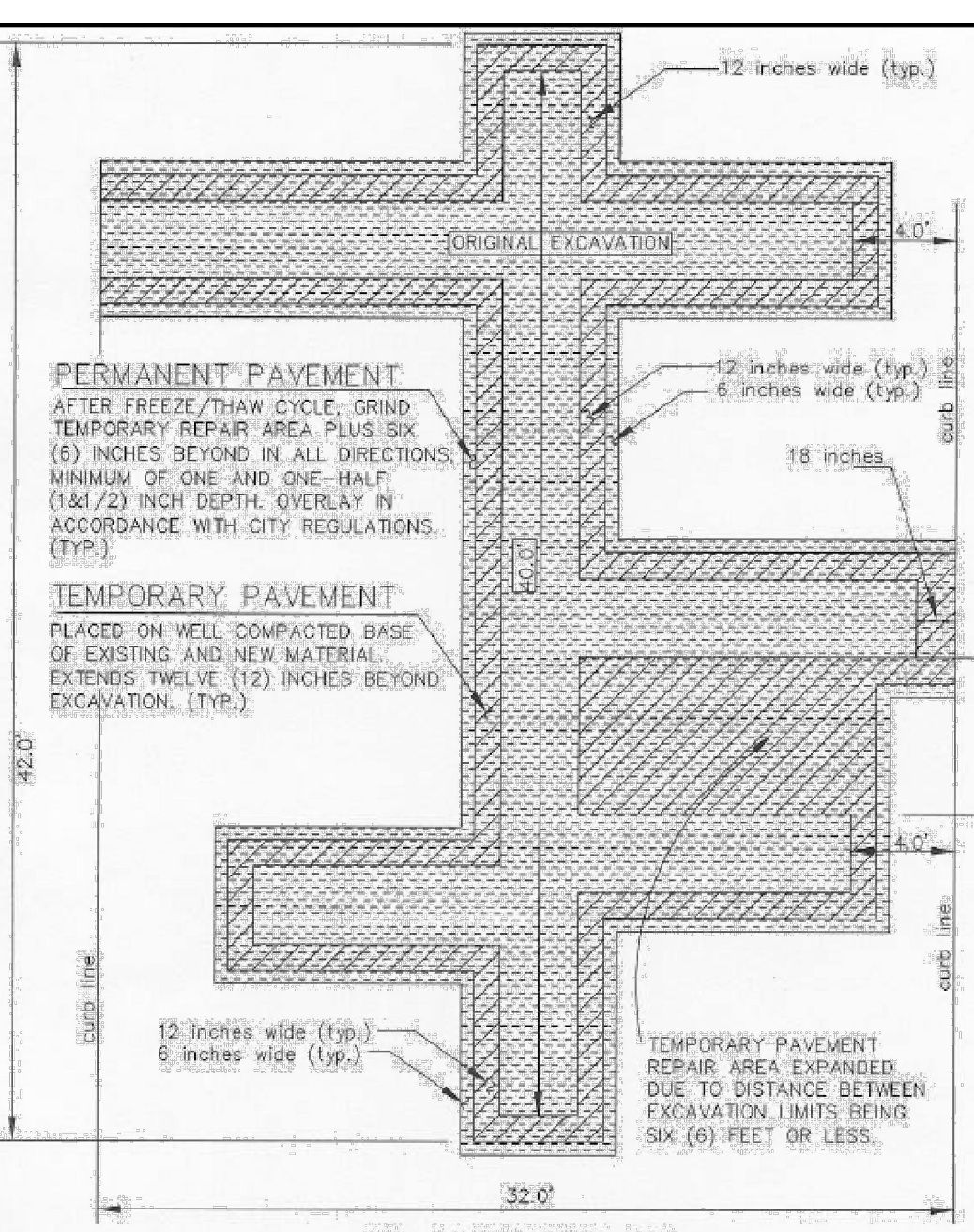
(B) PLAN VIEW OF MINOR EXCAVATION PAVEMENT REPAIR
AS OBTAINED FROM THE CITY OF PORTLAND "RULES AND REGULATIONS FOR EXCAVATION ACTIVITIES IN THE PUBLIC RIGHT OF WAY"



(E) PAVEMENT SAWCUT DETAIL
N.T.S.



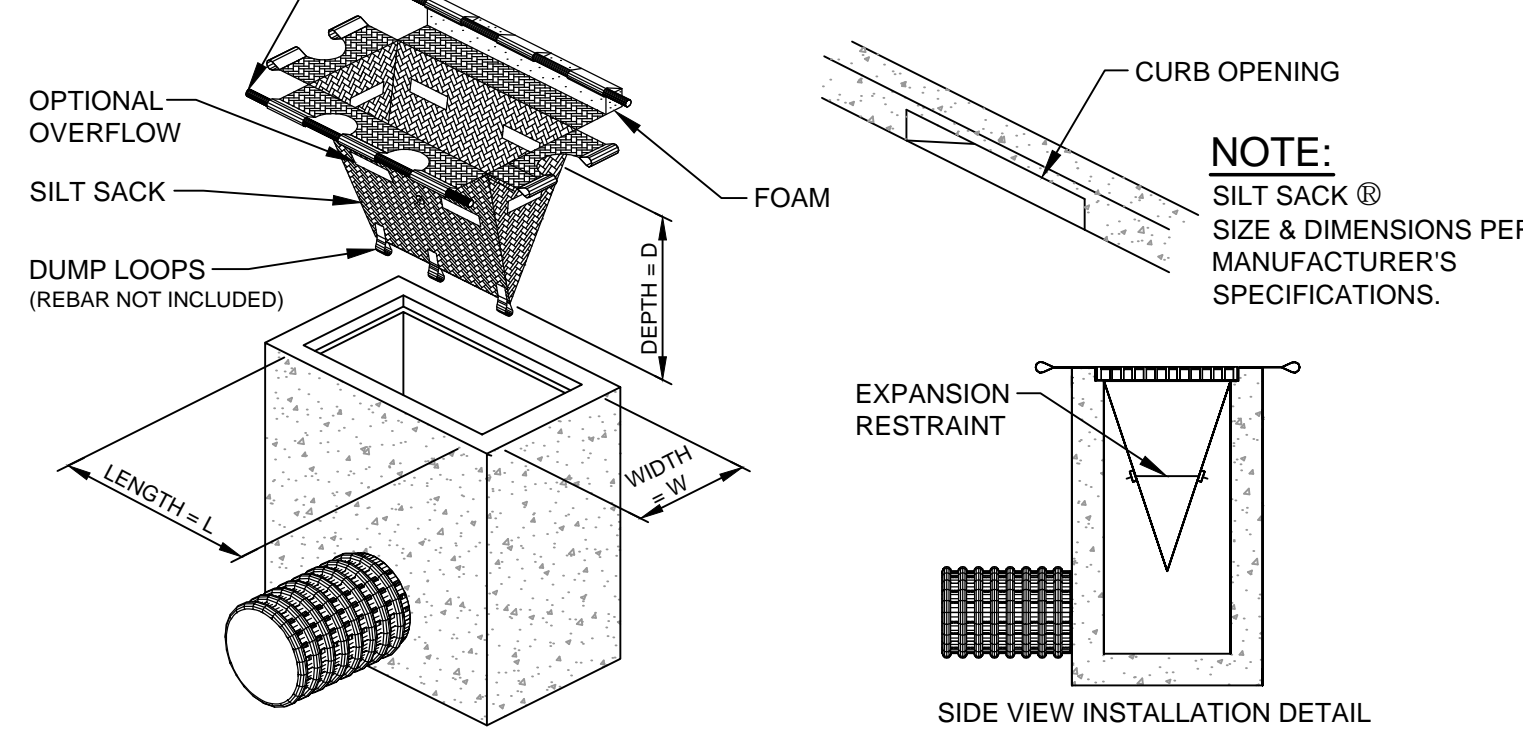
(H) STABILIZED CONSTRUCTION ENTRANCE DETAIL
N.T.S.



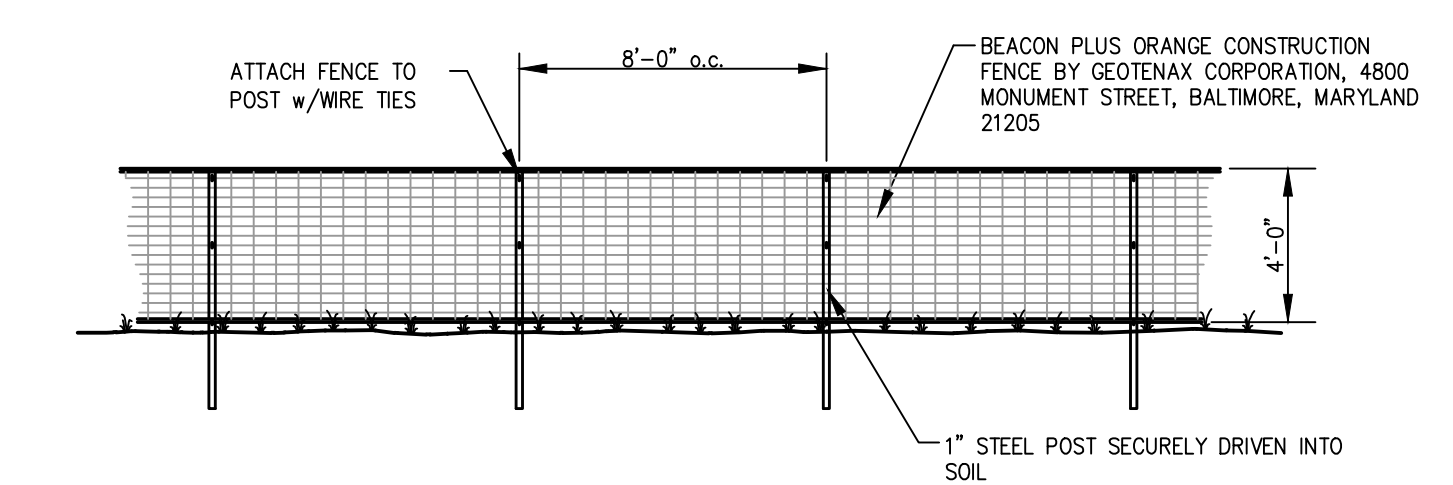
(C) PLAN VIEW OF MAJOR EXCAVATION PAVEMENT REPAIR
AS OBTAINED FROM THE CITY OF PORTLAND "RULES AND REGULATIONS FOR EXCAVATION ACTIVITIES IN THE PUBLIC RIGHT OF WAY"

NOTE: THE SILT SACK ® WILL BE MANUFACTURED FROM A WOVEN POLYPROPYLENE FABRIC THAT MEETS OR EXCEEDS THE FOLLOWING SPECIFICATIONS:

PROPERTIES	TEST METHOD	UNITS
GRAB TENSILE STRENGTH	ASTM D-4632	265 LBS
GRAB TENSILE ELONGATION	ASTM D-4632	20%
PUNCTURE	ASTM D-4833	135 LBS
MULLEN BURST	ASTM D-3786	420 PSI
TRAPEZOID TEAR	ASTM D-4533	45 LBS
UV RESISTANCE	ASTM D-4355	90%
APPARENT OPENING SIZE	ASTM D-4751	20 US SIEVE
FLOW RATE	ASTM D-4491	200 GAL/MIN/SQ FT
PERMITTIVITY	ASTM D-4491	1.5 SEC.-1



(F) SILT SACK ® DETAIL & SPECIFICATIONS
N.T.S.

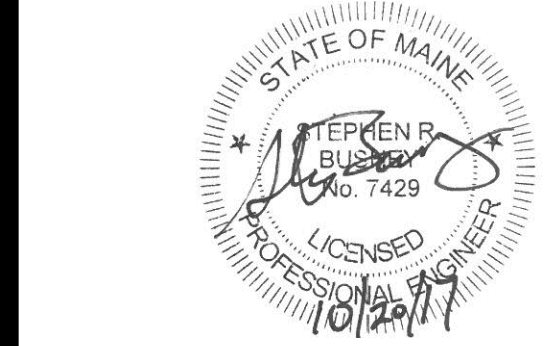


(I) ORANGE CONSTRUCTION FENCE DETAIL
N.T.S.

Revision	By	Date
4	SRB	17.02.20
3	SRB	17.07.10
2	SRB	17.09.26
1	SRB	17.08.08

1 FINAL PLAN REVIEW
2 REBAR FOR FINAL SITE PLAN REVIEW PRIOR TO OCT. 4, 2017 PUBLIC HEARING
3 REVISED PER CONDITIONS OF APPROVAL RELEASED FOR BIDDING
4 ISSUED FOR CONSTRUCTION FINAL PLANS

File Name:	LA	DBS	SRB	17.07.12
195350450_det	DWN.	CHKD.	DSGN.	DATE



Client/Project
0 HANCOCK STREET LLC

THAMES STREET SITE
PORTLAND, MAINE

Title
PAVEMENT, EROSION AND MISCELLANEOUS DETAILS

Project No. 195350450
Scale N.T.S.

Sheet