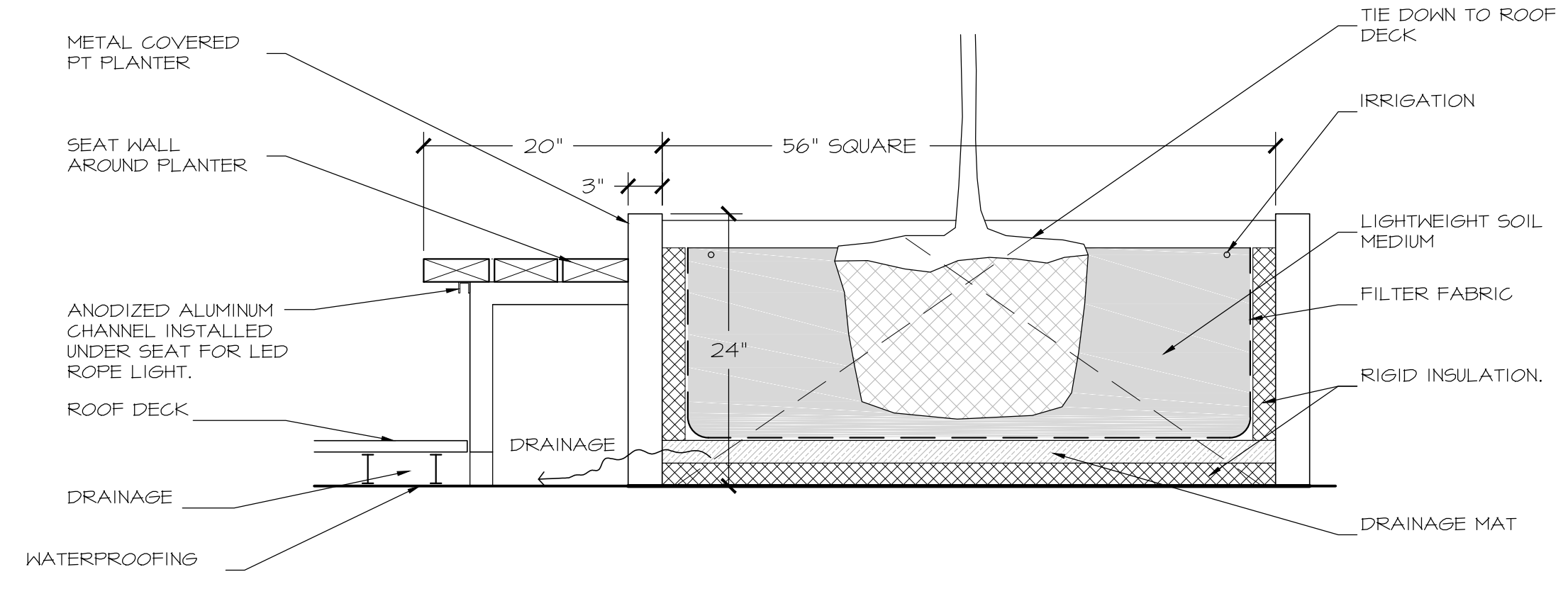
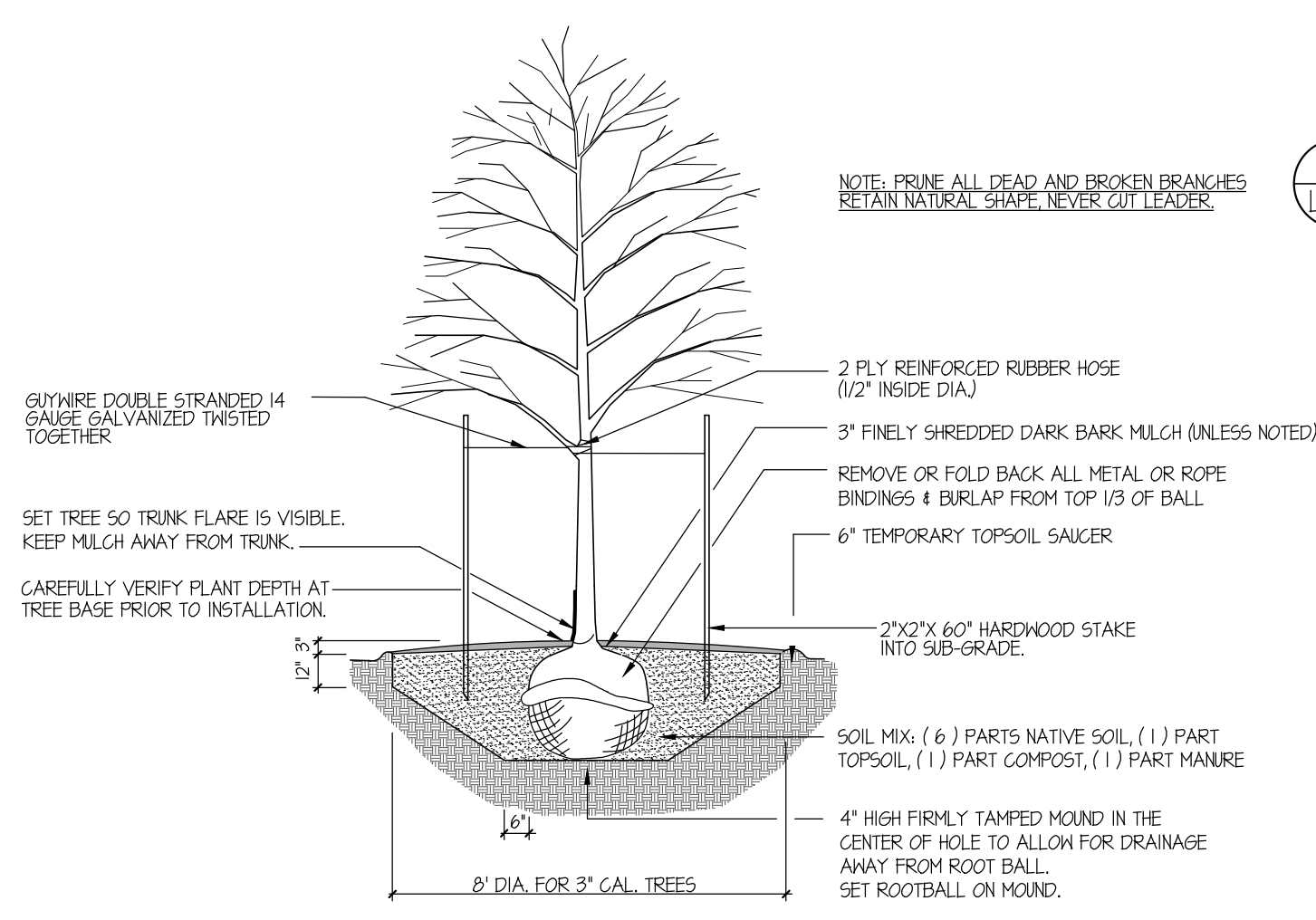


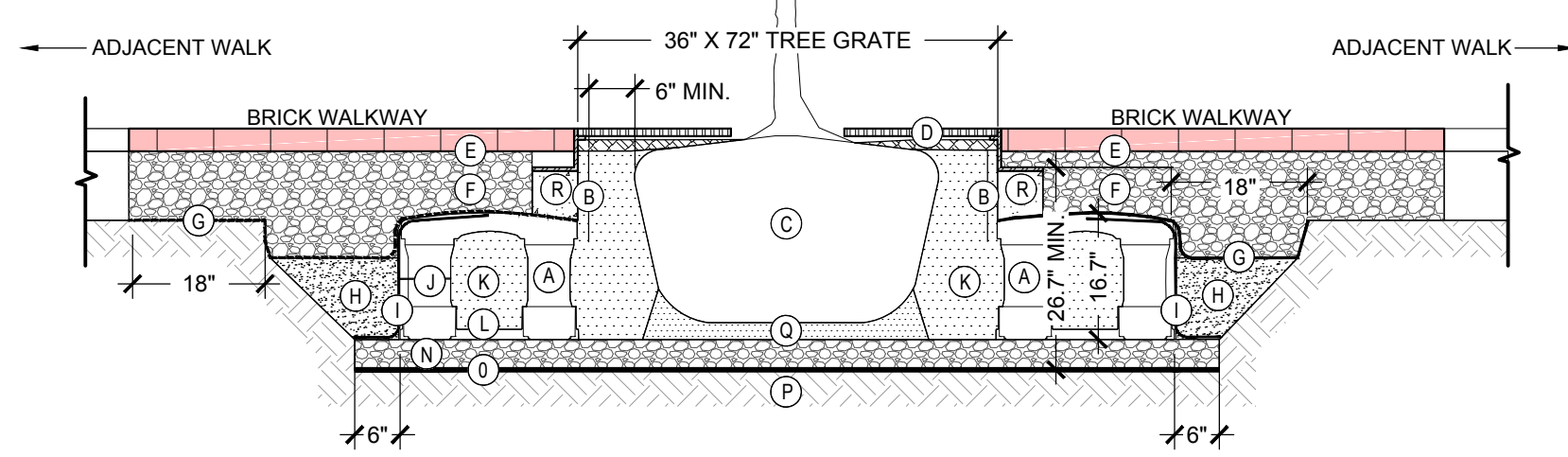
1
L3.0
NOT TO SCALE
SHRUB PLANTING INSTALLATION



6
L3.0
NOT TO SCALE
TREE PLANTER ROOFTOP

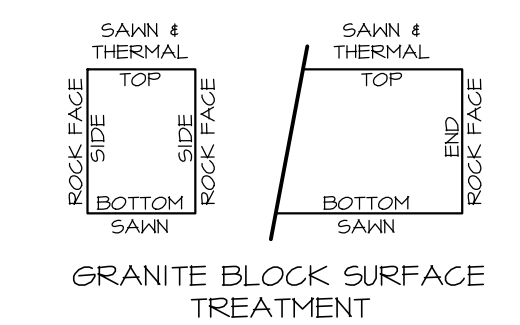


2
L3.0
NOT TO SCALE
DECIDUOUS TREE PLANTING INSTALLATION

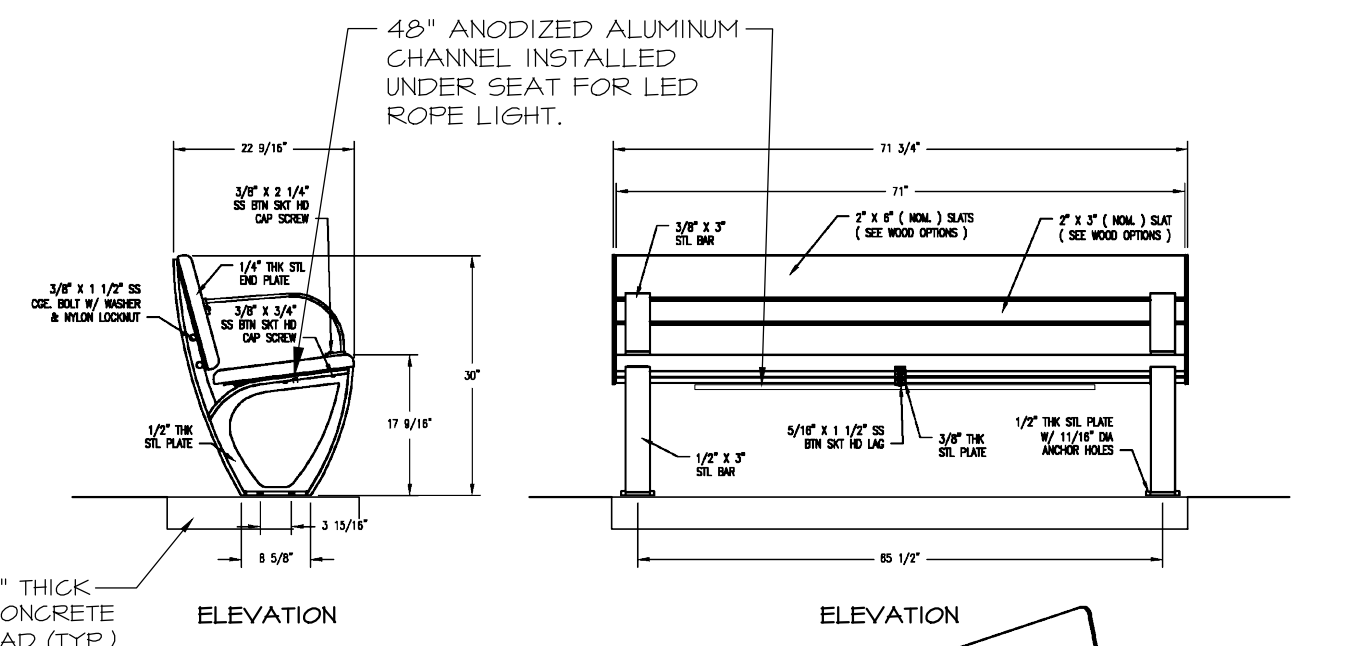


7
L3.0
NOT TO SCALE
FLUSH TREE GRATE DETAIL (IX SILVA CELL SYSTEM)

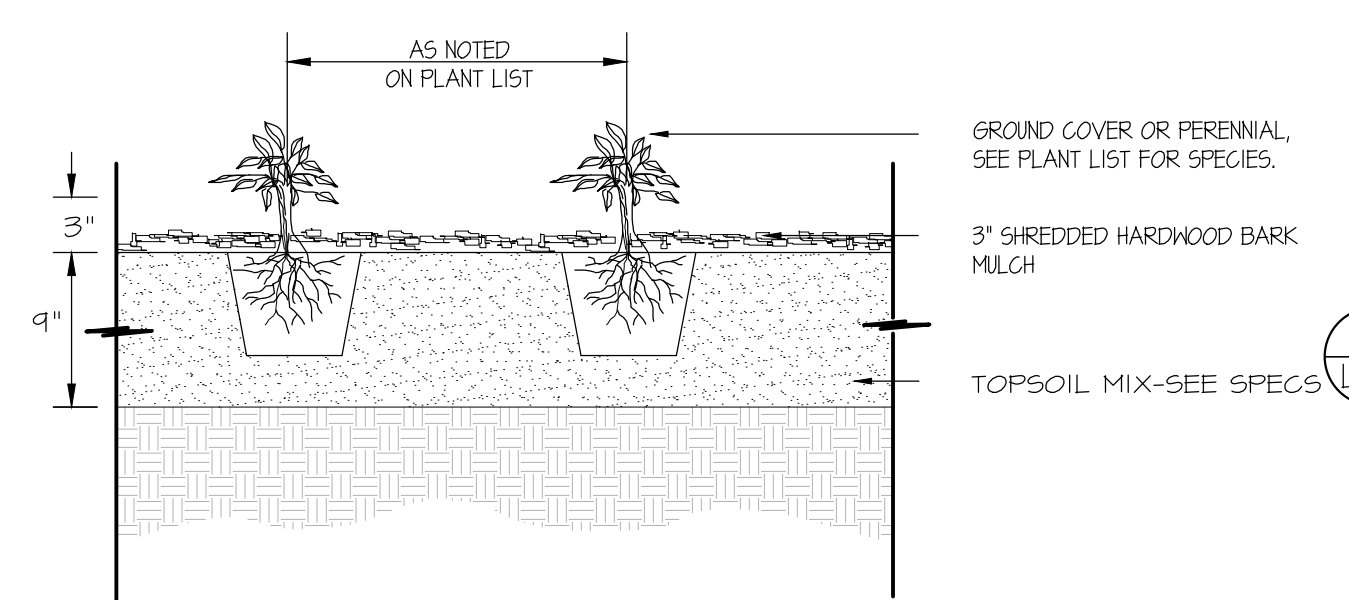
- KEY PLAN**
- (A) SILVA CELL IX SYSTEM (DECK, BASE, AND POSTS)
 - (B) DEEPROOT UB12-2 ROOT BARRIER. INSTALL DIRECTLY ADJACENT TO CONCRETE EDGE RESTRAINT
 - (C) TREE ROOT PACKAGE, SIZE VARIES
 - (D) NEENAH FOUNDRY TREE GRATE R-8808 (36\"/>
- NOTES:**
1. INSTALLATION TO BE COMPLETED IN ACCORDANCE WITH MANUFACTURER'S SPECIFICATIONS
 2. DO NOT SCALE DRAWINGS
 3. PROVIDE SUPPLEMENTAL IRRIGATION FOR SEASONAL DROUGHT SUPPORT OF TREES & SOIL



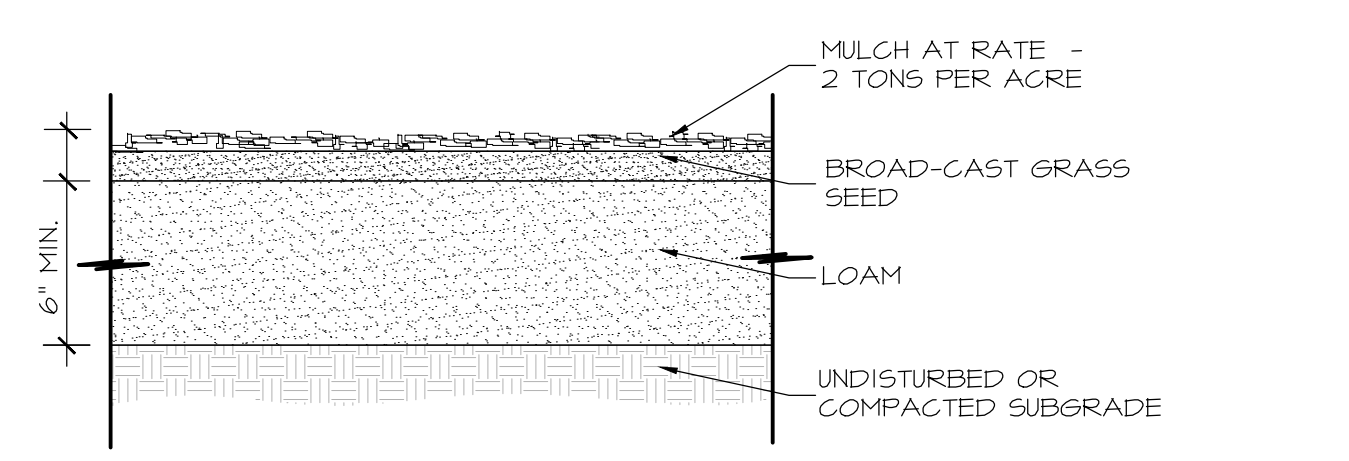
9
L3.0
NOT TO SCALE
GRANITE BLOCK WALL W/ WINDSCREEN (PLAZA)



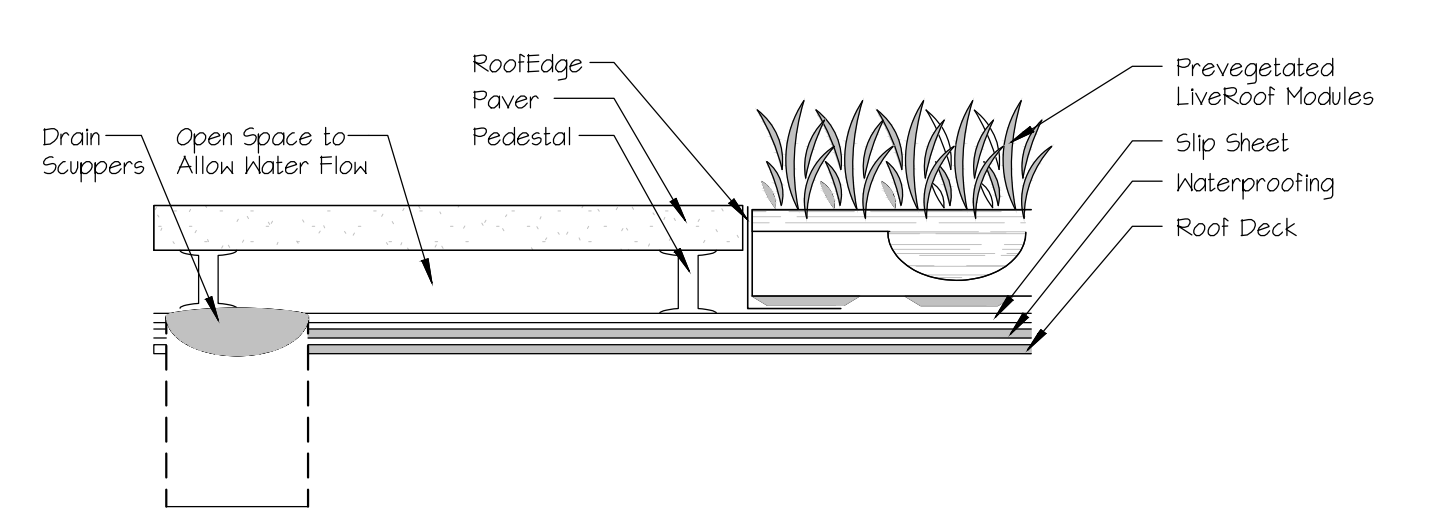
10
L3.0
NOT TO SCALE
BENCH DETAIL



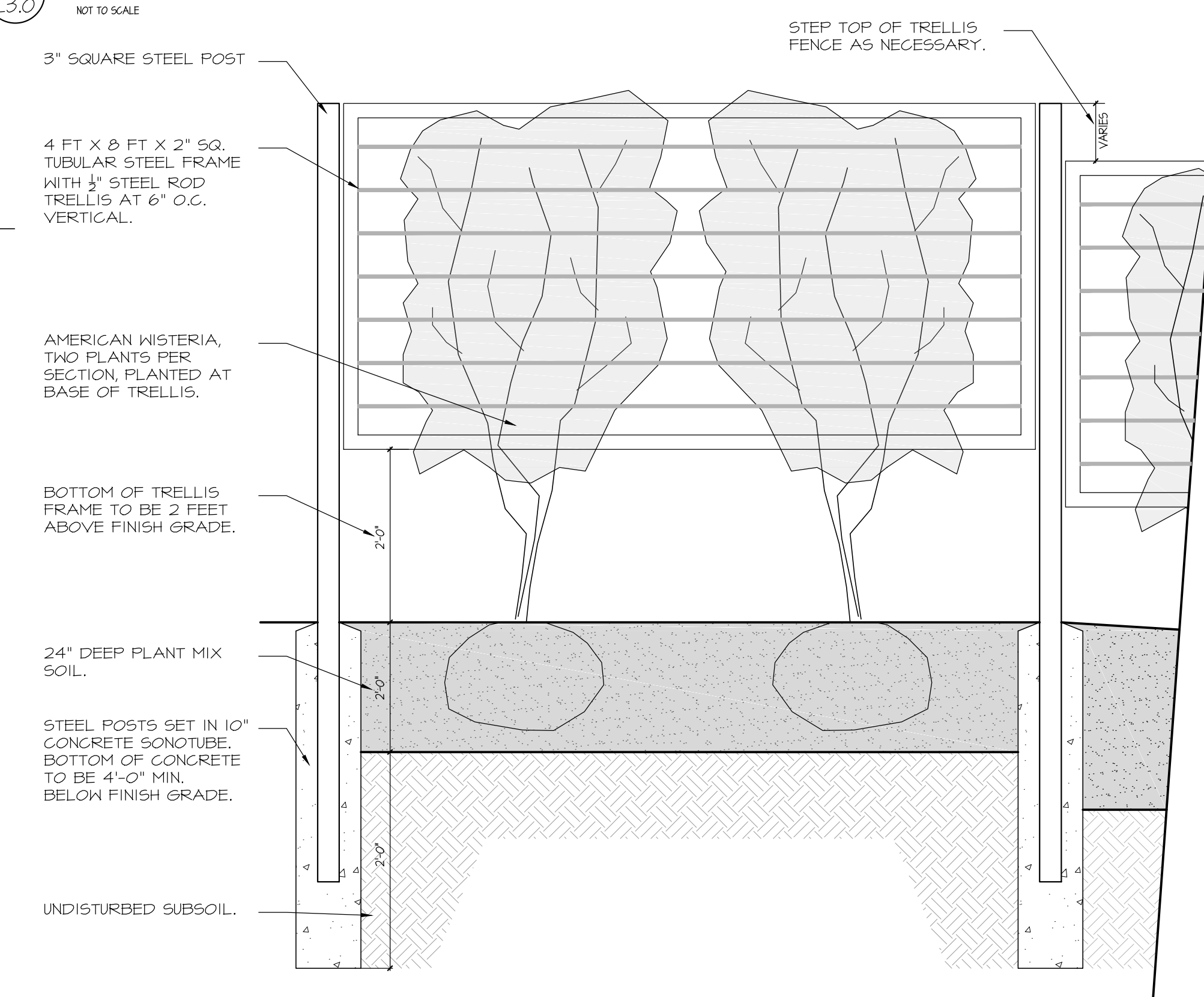
3
L3.0
NOT TO SCALE
GROUND COVER/PERENNIAL PLANT INSTALLATION



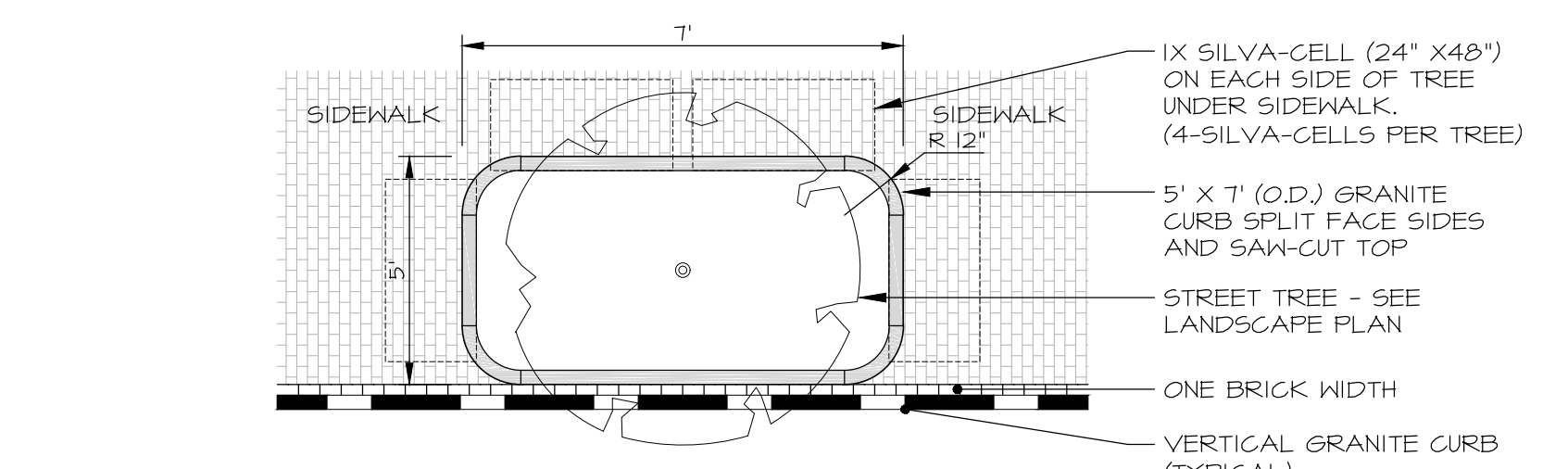
4
L3.0
NOT TO SCALE
LOAM AND SEED



5
L3.0
NOT TO SCALE
PRE-VEGETATED GREEN ROOF MODULES



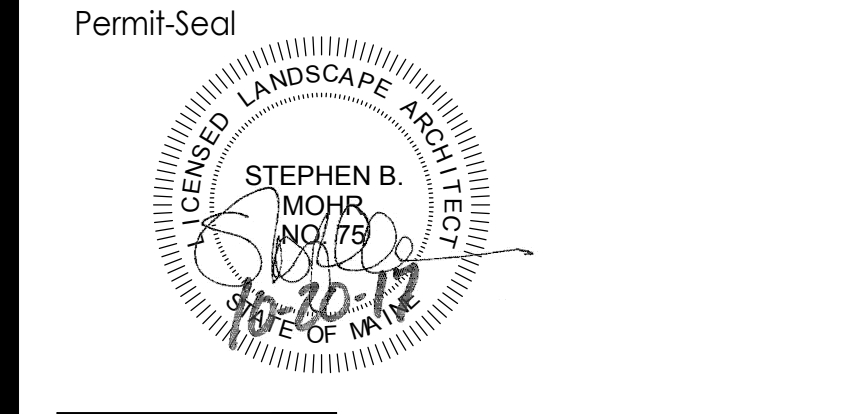
8
L3.0
NOT TO SCALE
6 FT TALL GREEN VEGETATED FENCE



11
L3.0
NOT TO SCALE
RAISED GRANITE TREE PLANTER

17.10.20	SBM	SBM	TS	YJAM/DD
17.10.19	M&S	M&S	M&S	By
17.10.6	M&S	M&S	M&S	Appr.
17.10.6	M&S	M&S	M&S	By
17.10.6	M&S	M&S	M&S	Appr.

File Name: 978-Details-MS 10.5.17	M&S	SBM	TS	17.10.10
P.E. STEPHEN R. BUSHEY	DWN.	CHKD.	DSGN.	DATE



Client/Project
0 HANCOCK LLC

THAMES STREET SITE
PORTLAND, MAINE

Title
LANDSCAPE DETAILS

Project No. 195350450
Scale N.T.S.
Sheet