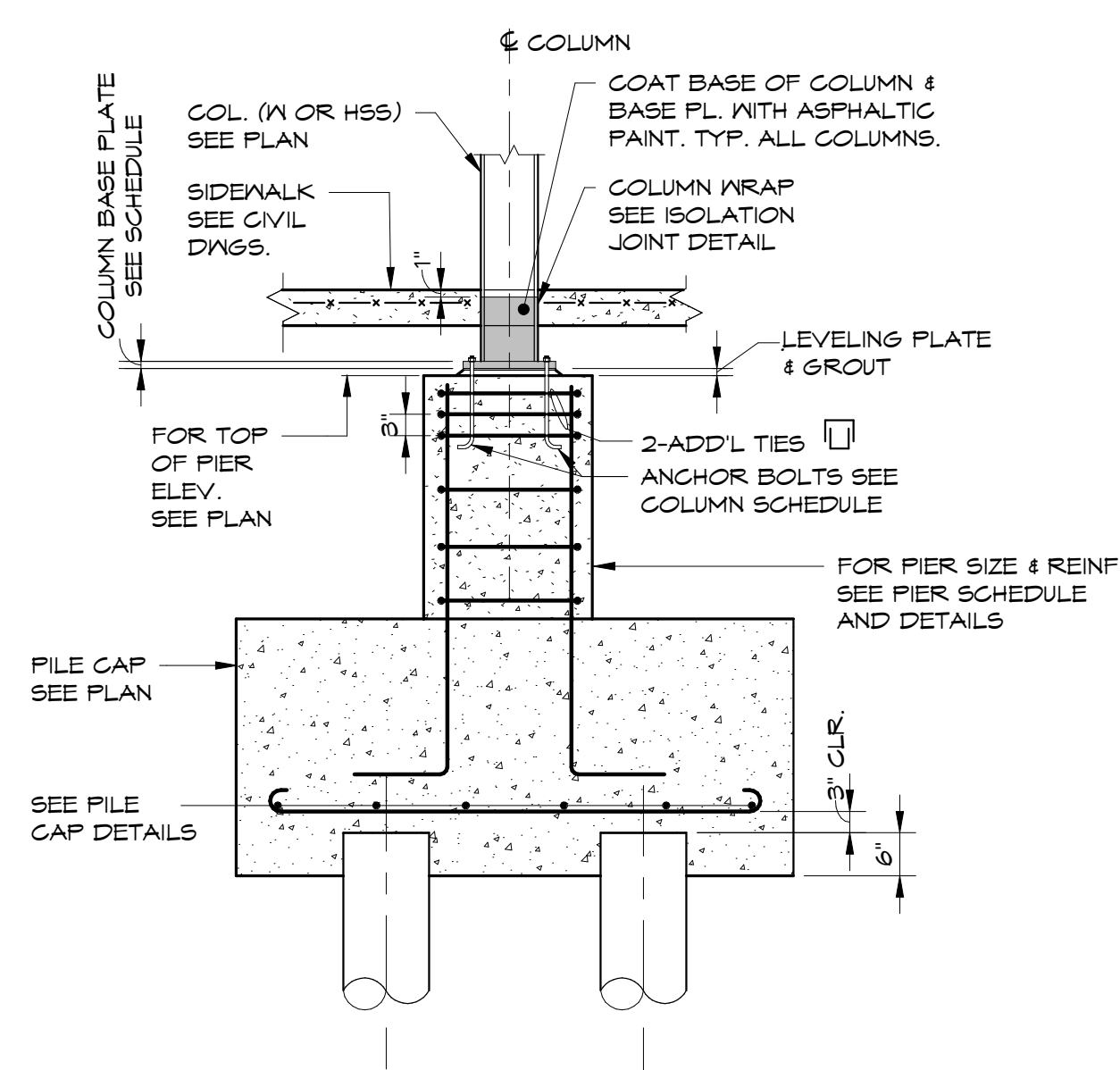
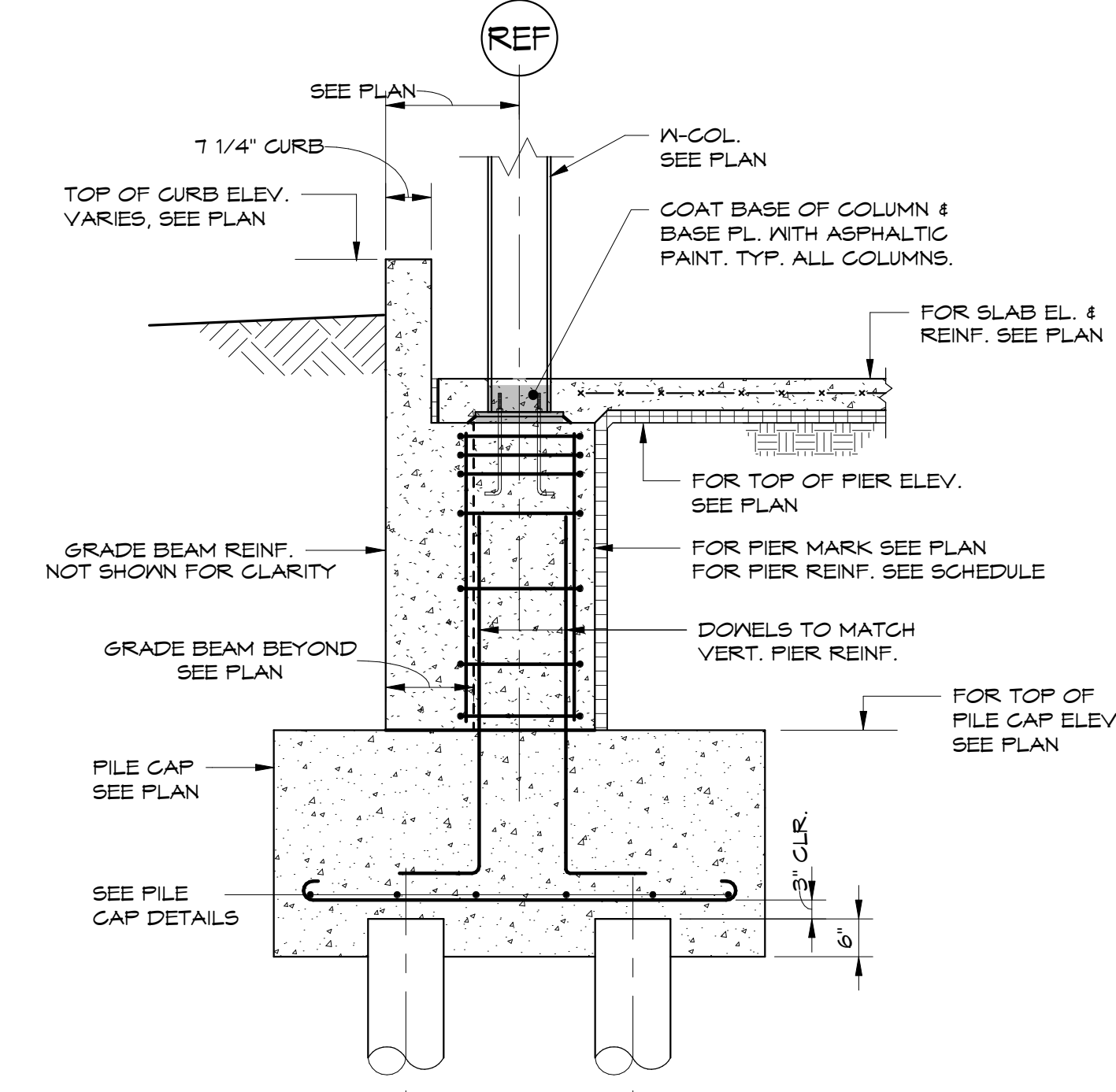


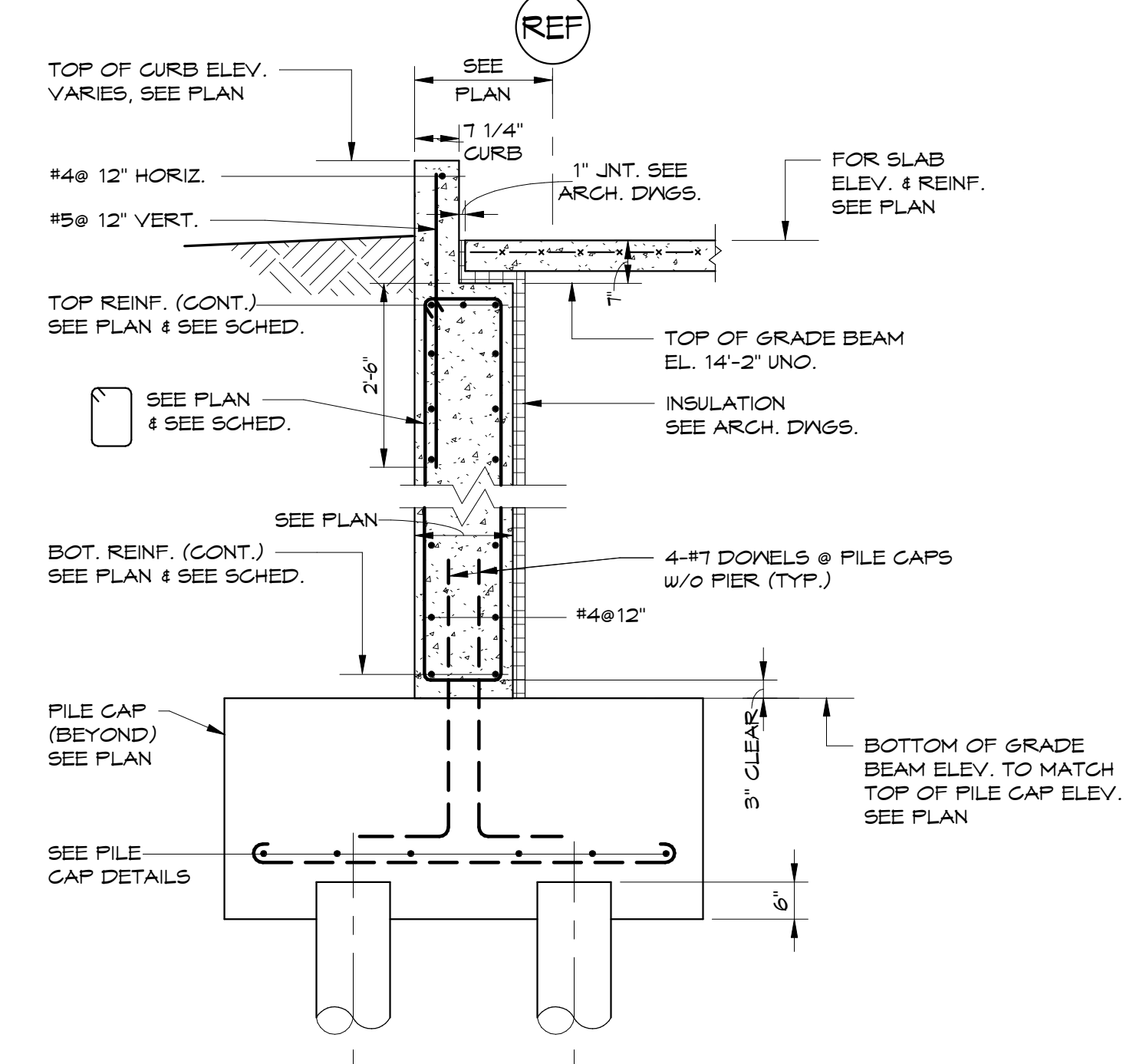
1 SECTION AT INTERIOR COLUMN DETAIL
1/2" = 1'-0"



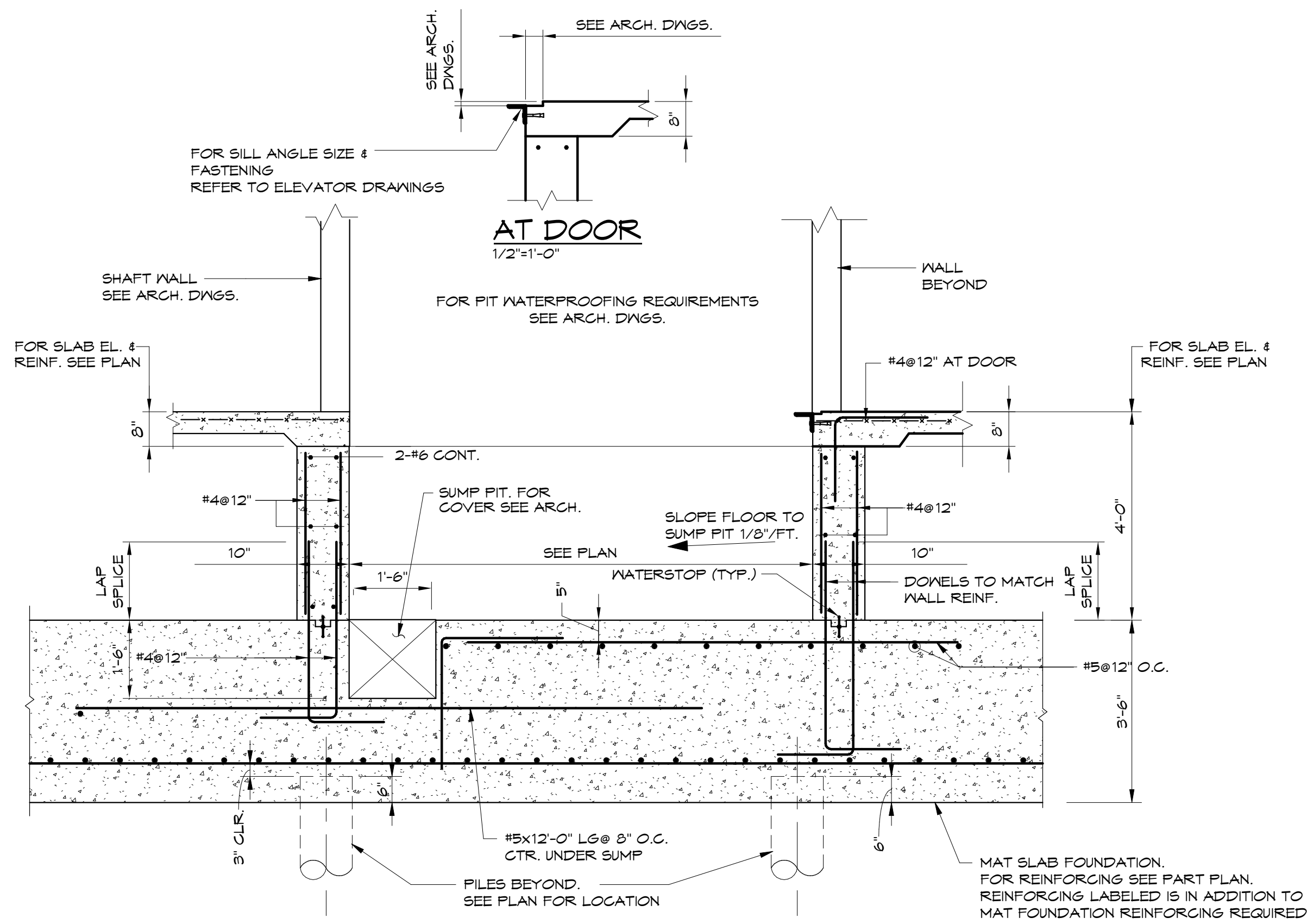
2 COLUMN W/ PIER DETAIL
1/2" = 1'-0"



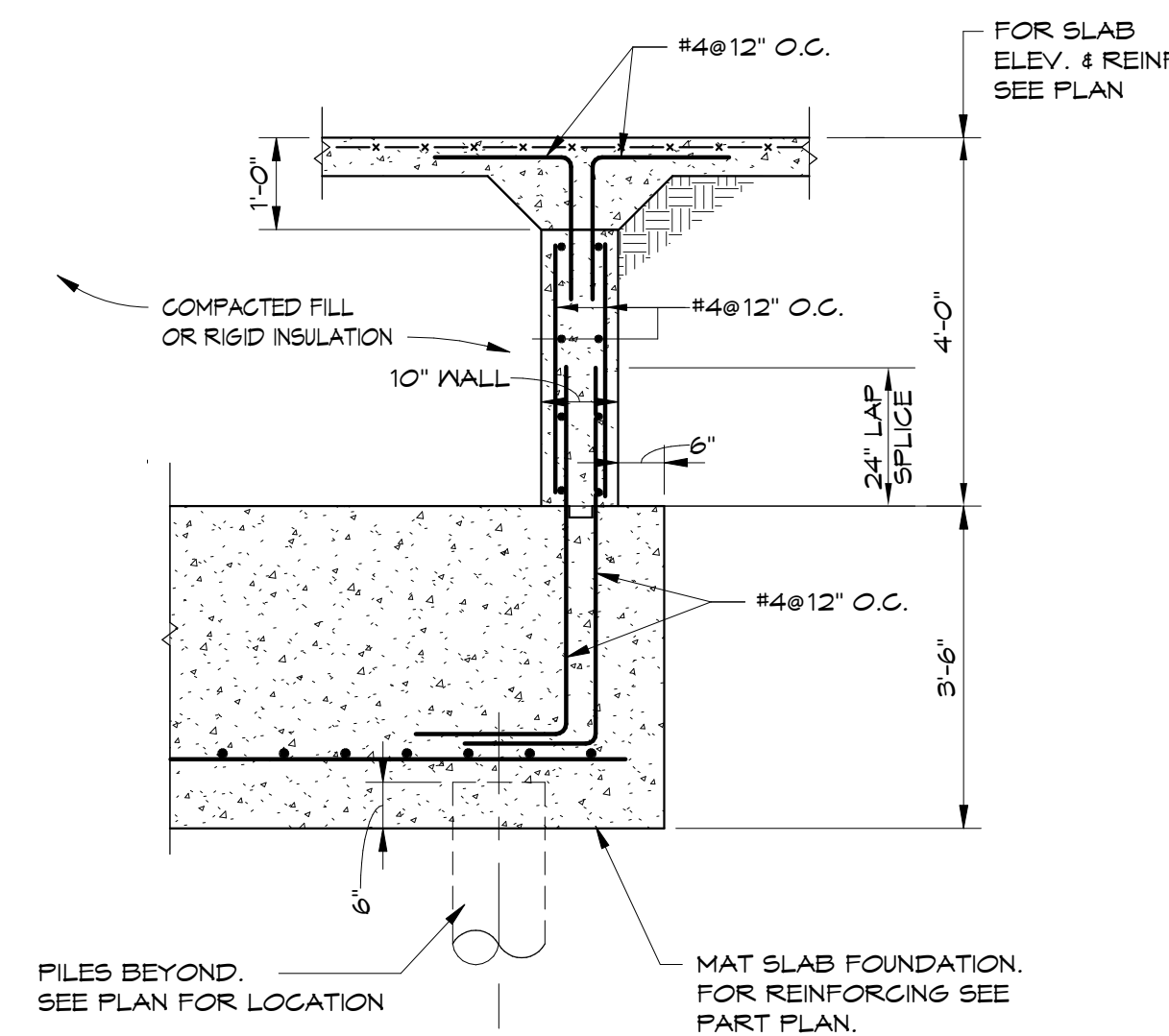
3 TYPICAL SECTION AT EXT. COLUMN DETAIL
1/2" = 1'-0"



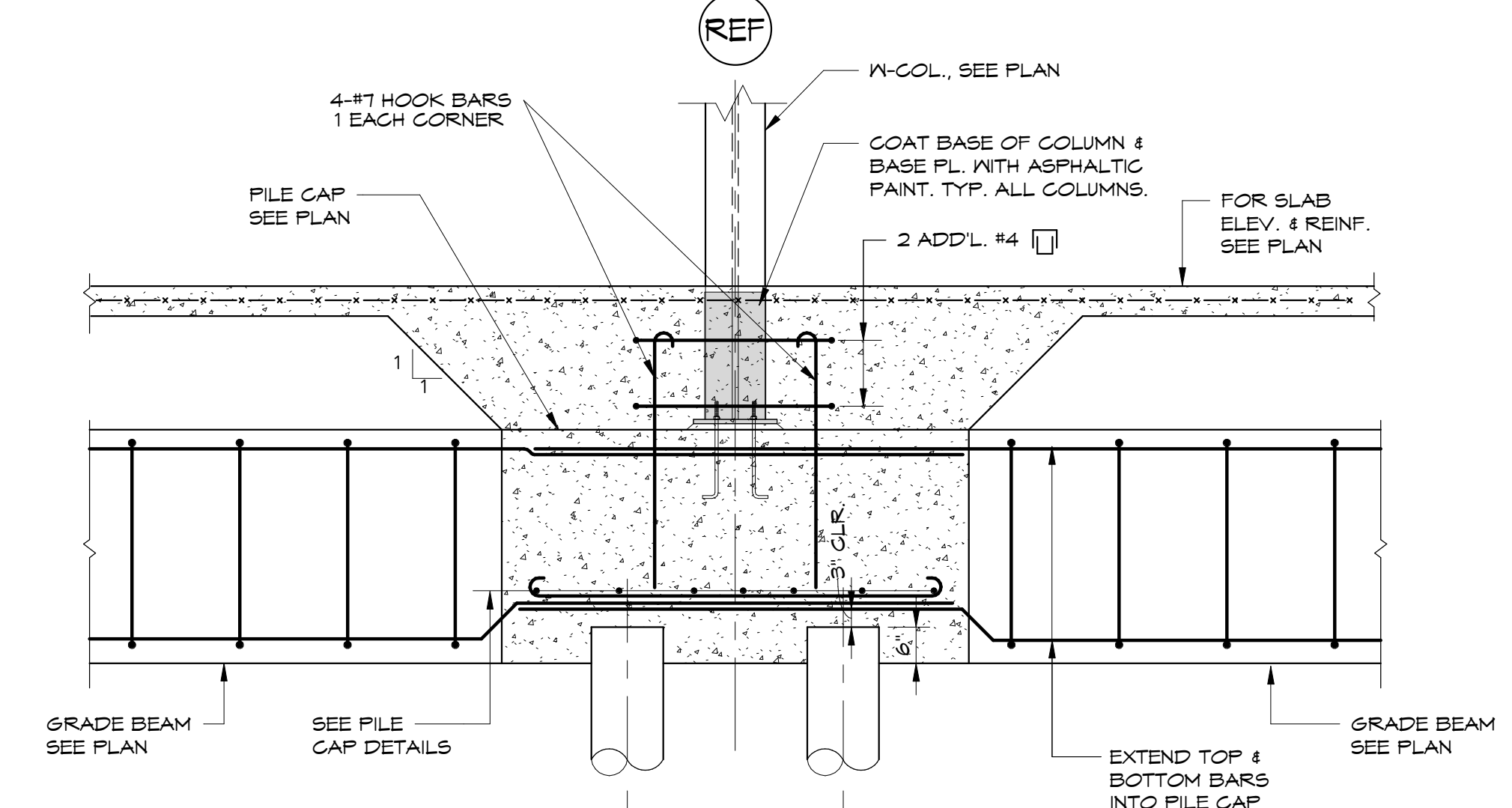
4 TYPICAL SECTION AT EXT. GRADE BEAM DETAIL
1/2" = 1'-0"



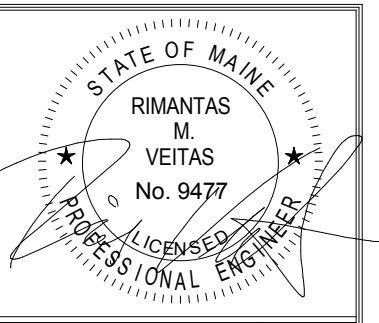
5 SECTION AT ELEVATOR
1/2" = 1'-0"



6 SECTION AT MAT SLAB FOUNDATION
1/2" = 1'-0"



7 SECTION AT INTERIOR COLUMN W/ GRADE BEAM DETAIL
1/2" = 1'-0"



Prepared For:
0 Hancock Street
LLC

Consulting Engineer:
VEITAS SVEITAS
engineers
680 Granite Street, Suite 101
Brunswick, Massachusetts 02148
TEL: (781) 266-2800 FAX: (781) 266-2805

Architect:
ARCHETYPE
architects
48 Union Wharf Portland, Maine 04101
(207) 772-6022 Fax (207) 772-4056

Project:
0 HANCOCK STREET
0 HANCOCK STREET
PORTLAND, MAINE

Revisions:	Issued for Foundation Permit
08-11-17	08-31-17 Permit Set
09-15-17	09-22-17 Steel Bid Set
09-29-17	10-06-17 Concrete Bid Set
10-06-17	10-06-17 Issued for Permit

Date: 08/11/17
Scale: Foundation Sections & Details

S401