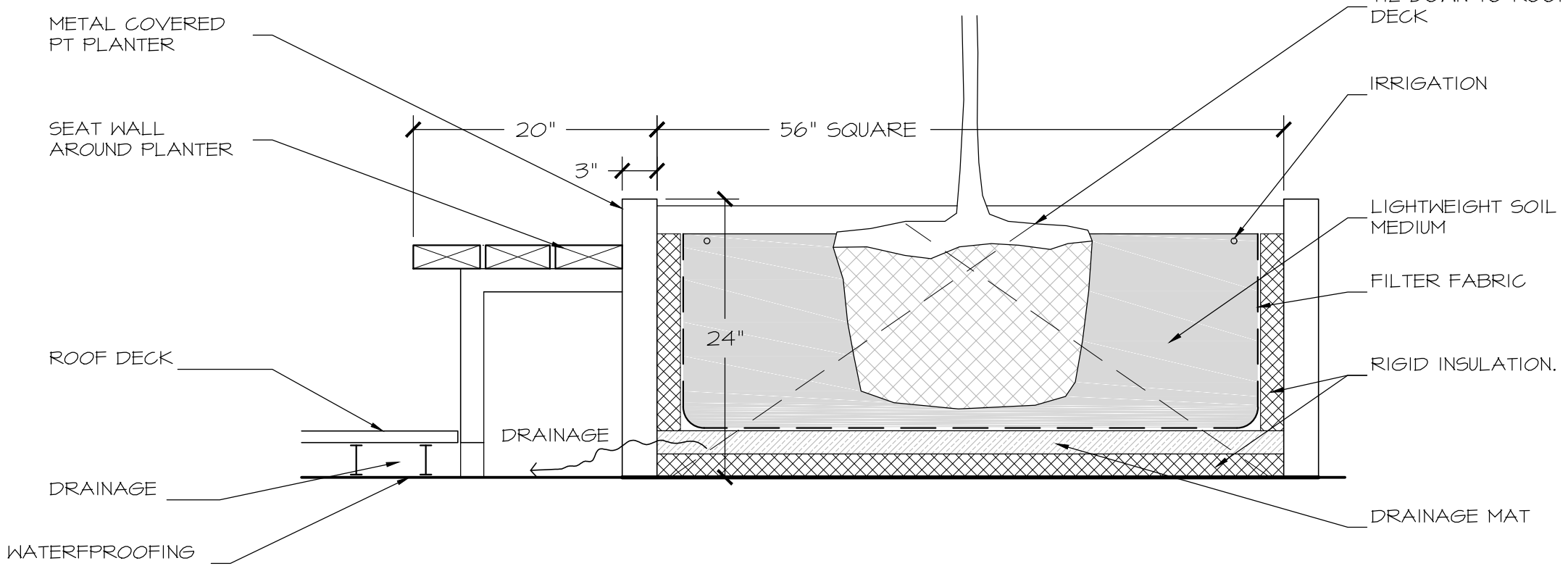
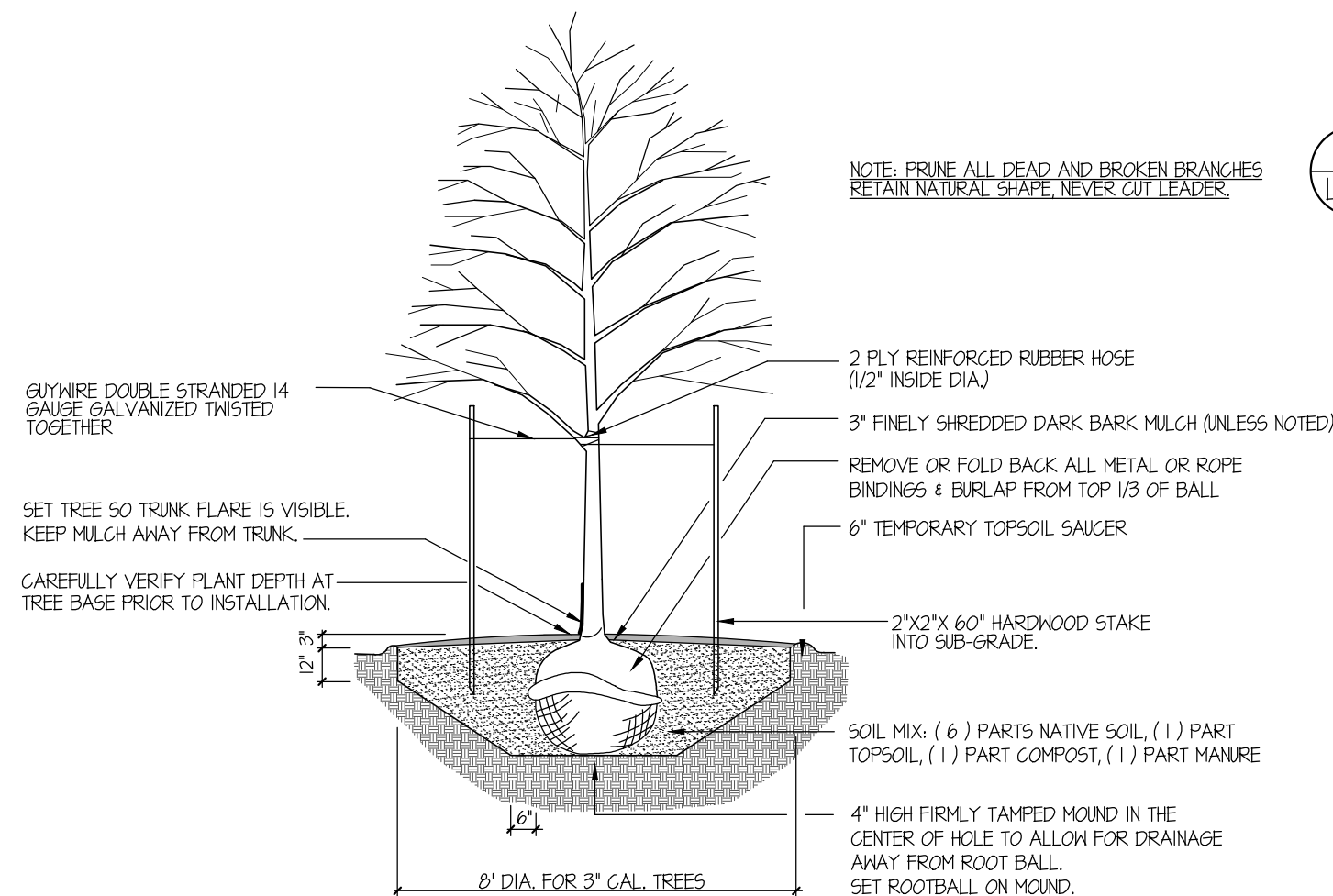


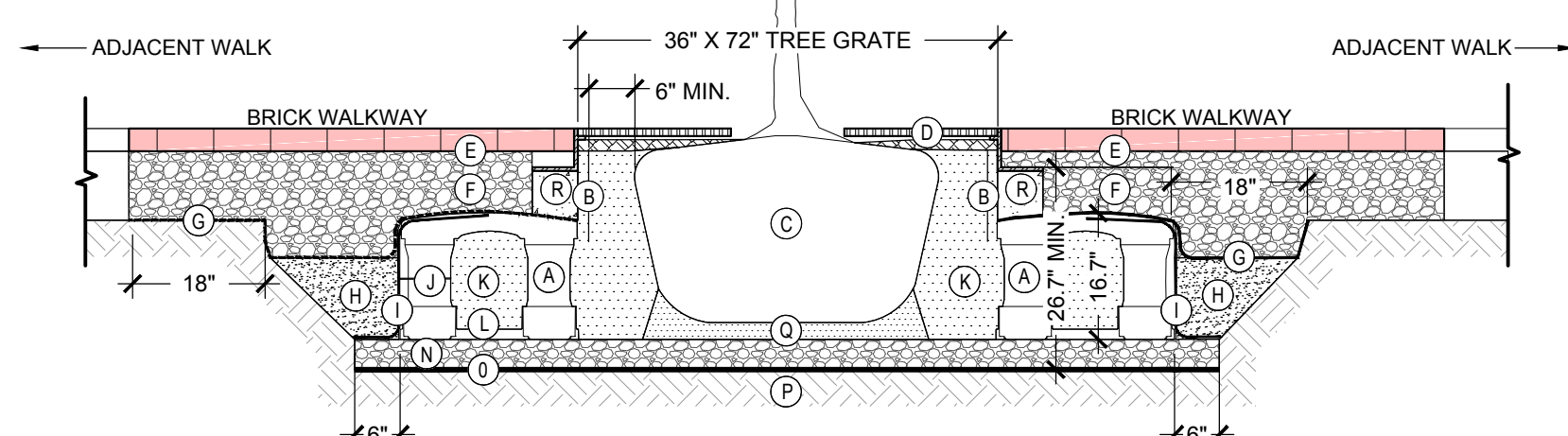
1  
L3.0  
NOT TO SCALE  
SHRUB PLANTING INSTALLATION



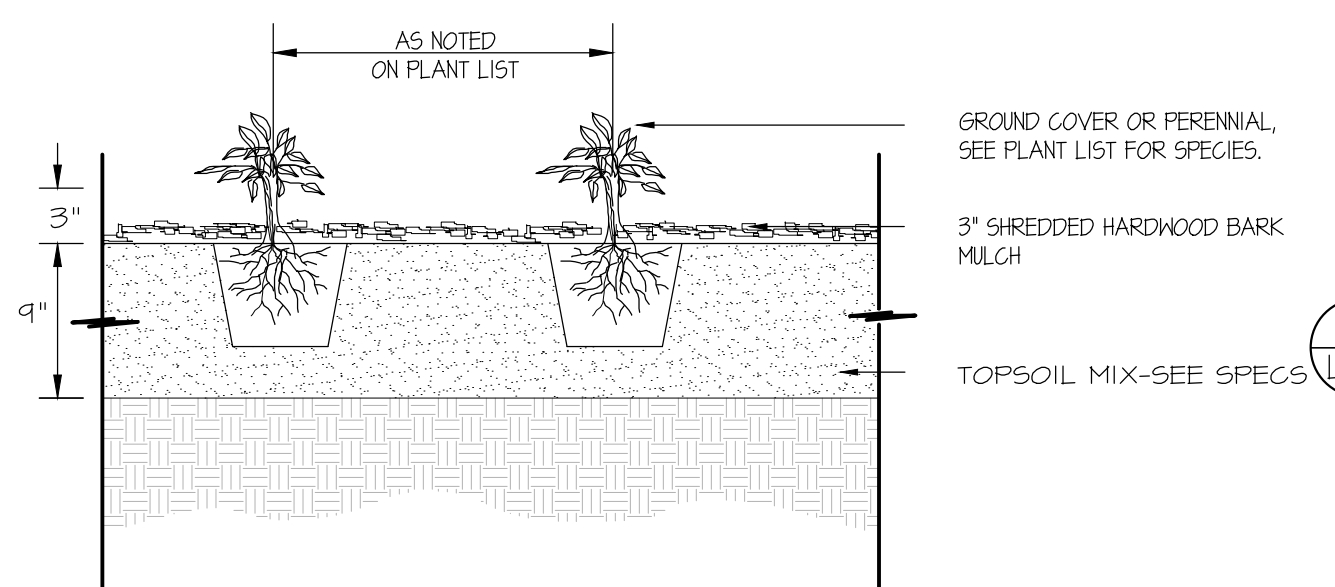
6  
L3.0  
NOT TO SCALE  
TREE PLANTER ROOFTOP



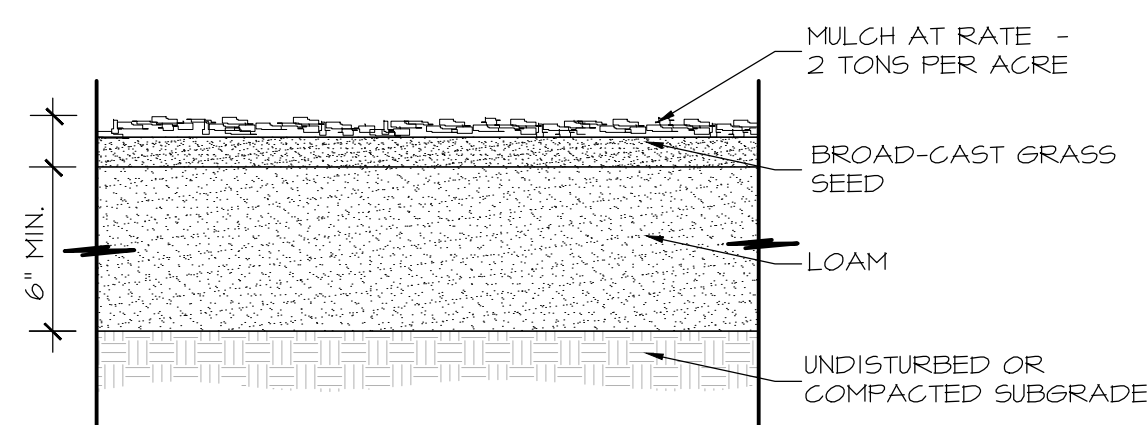
2  
L3.0  
NOT TO SCALE  
DECIDUOUS TREE PLANTING INSTALLATION



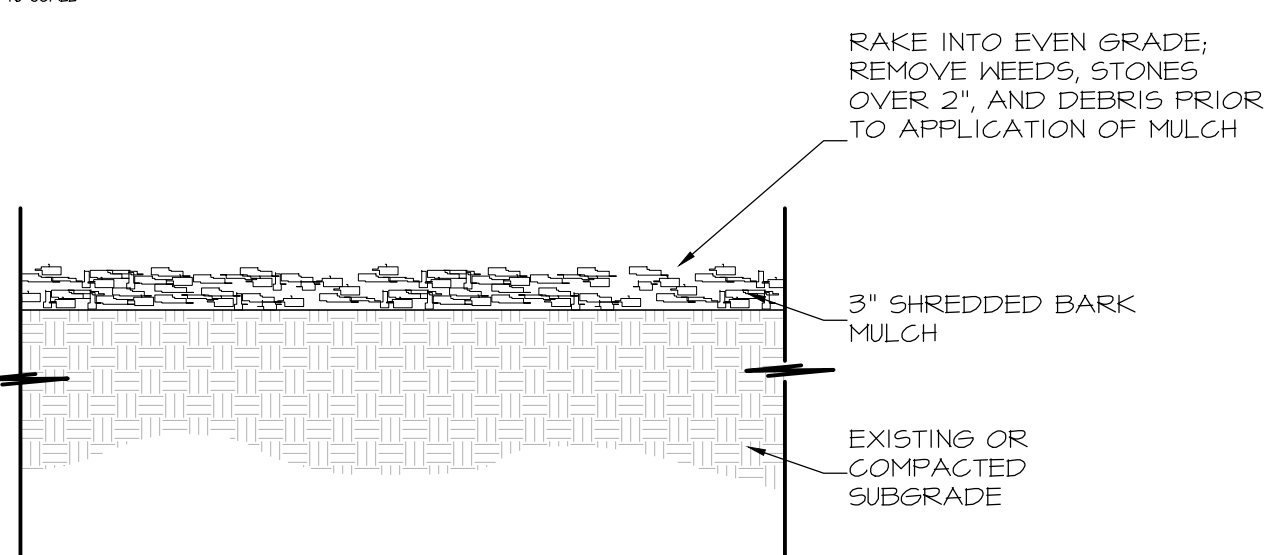
7  
L3.0  
NOT TO SCALE  
FLUSH TREE GRATE DETAIL (IX SILVA CELL SYSTEM)



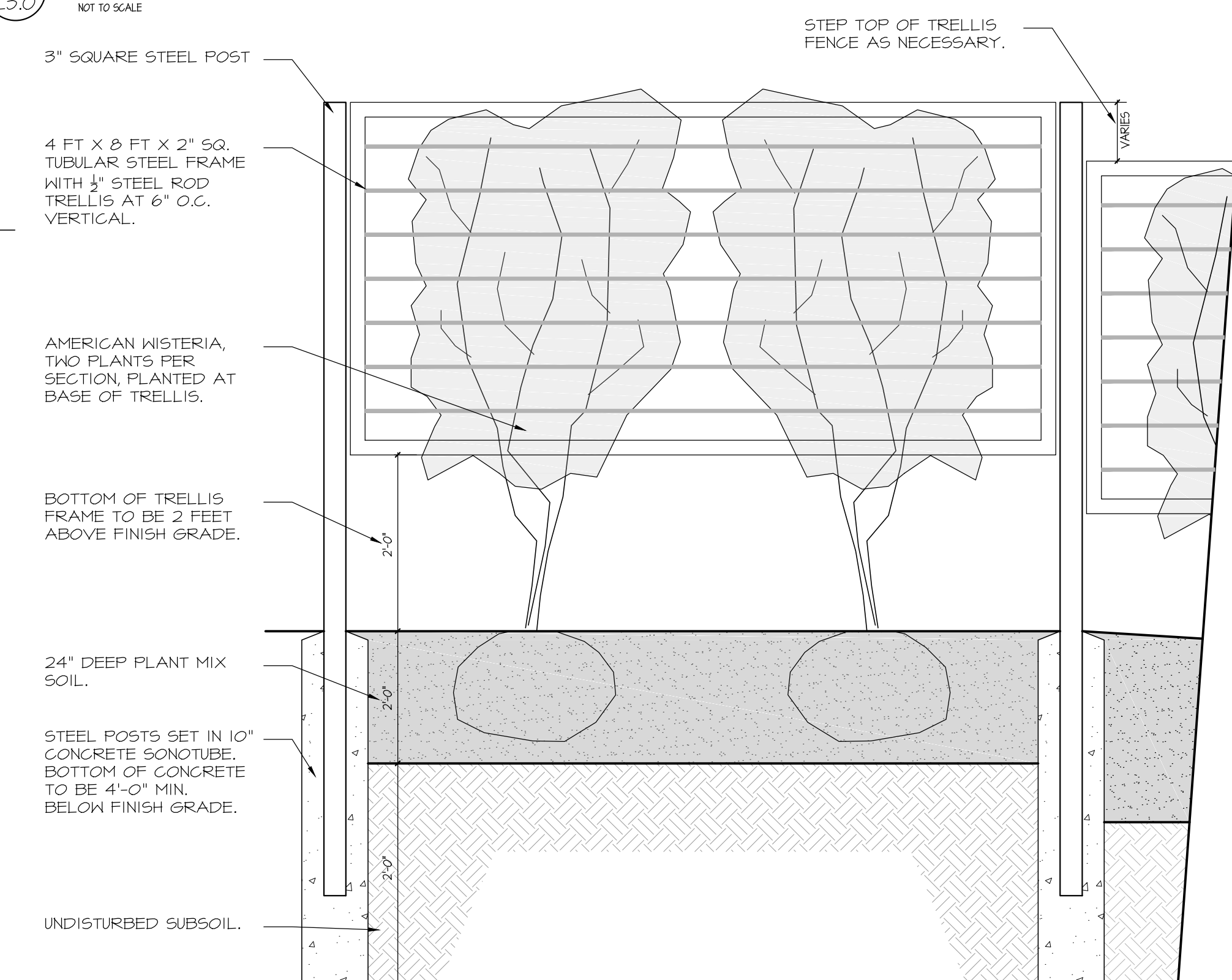
3  
L3.0  
NOT TO SCALE  
GROUND COVER/PERENNIAL PLANT INSTALLATION



4  
L3.0  
NOT TO SCALE  
LOAM AND SEED



5  
L3.0  
NOT TO SCALE  
BARK MULCH



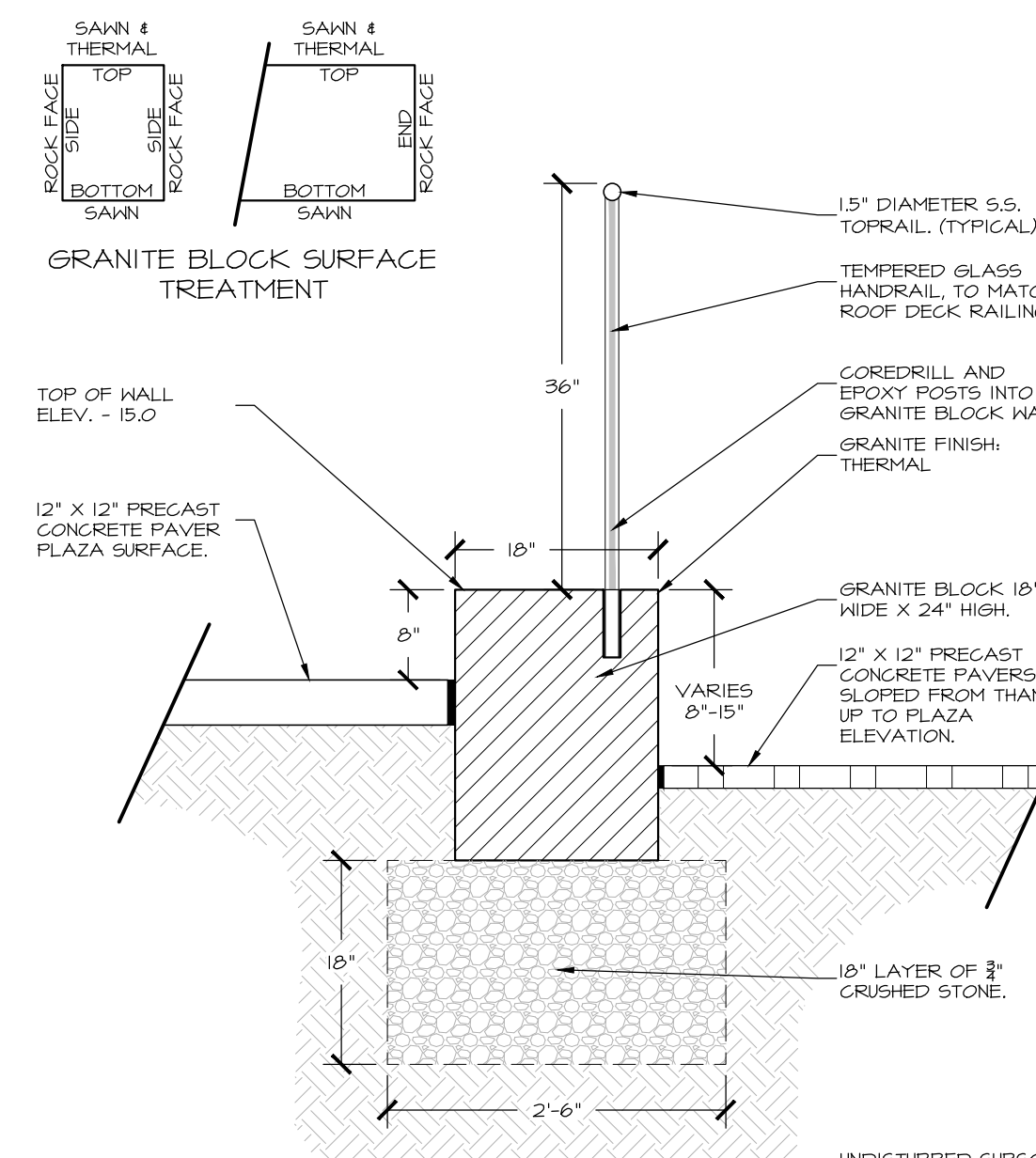
8  
L3.0  
NOT TO SCALE  
6 FT TALL GREEN VEGETATED FENCE

KEY PLAN

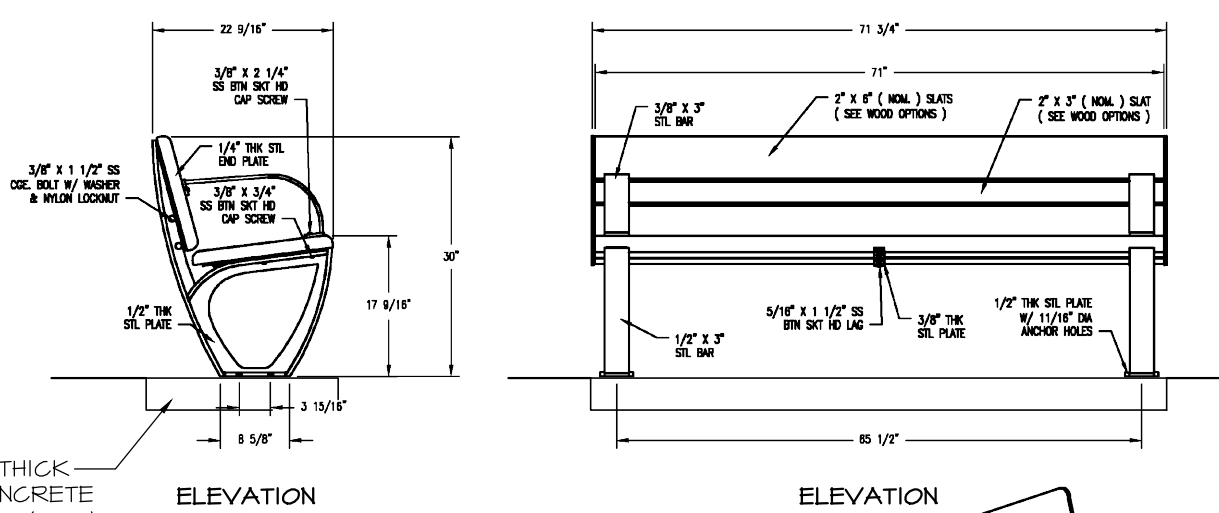
- (A) SILVA CELL IX SYSTEM (DECK, BASE, AND POSTS)
- (B) DEEPROOT UB12-2 ROOT BARRIER. INSTALL DIRECTLY ADJACENT TO CONCRETE EDGE RESTRAINT
- (C) TREE ROOT PACKAGE, SIZE VARIES
- (D) NEENAH FOUNDRY TREE GRATE R-8808 (36\"/>

NOTES:

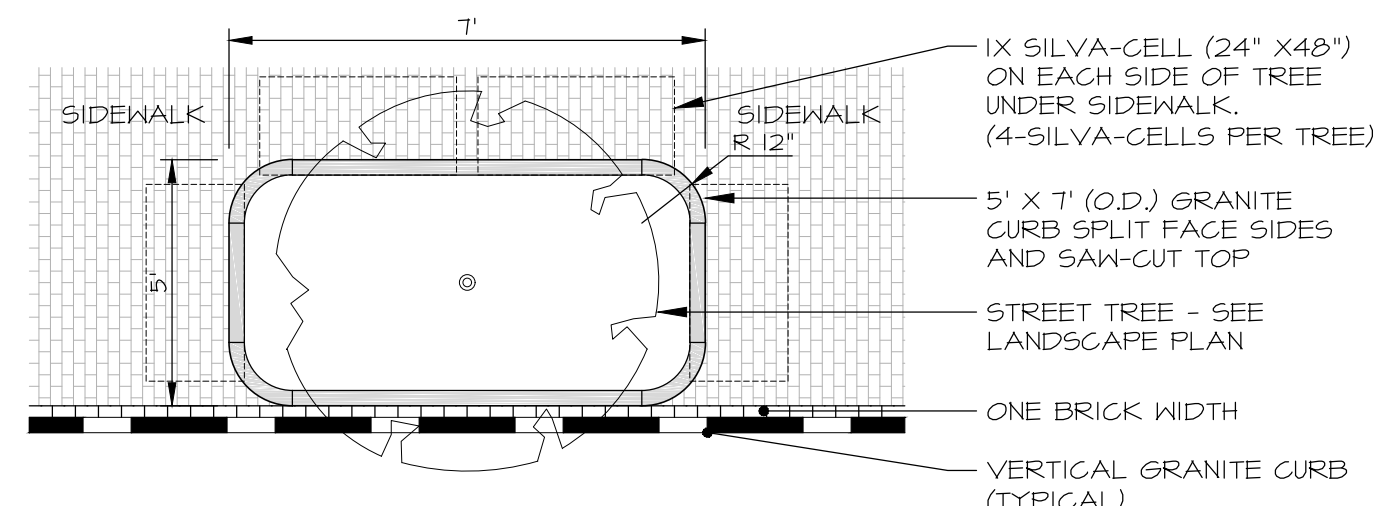
1. INSTALLATION TO BE COMPLETED IN ACCORDANCE WITH MANUFACTURER'S SPECIFICATIONS
2. DO NOT SCALE DRAWINGS
3. PROVIDE SUPPLEMENTAL IRRIGATION FOR SEASONAL DROUGHT SUPPORT OF TREES & SOIL



9  
L3.0  
NOT TO SCALE  
GRANITE BLOCK WALL (PLAZA)



10  
L3.0  
NOT TO SCALE  
BENCH DETAIL



11  
L3.0  
NOT TO SCALE  
RAISED GRANITE TREE PLANTER

17.06.6	SBM	SBM	TS	17.10.10
17.10.10	M&S	SBM	TS	17.10.10
17.10.10	M&S	SBM	TS	17.10.10
17.10.10	M&S	SBM	TS	17.10.10
17.10.10	M&S	SBM	TS	17.10.10
17.10.10	M&S	SBM	TS	17.10.10
17.10.10	M&S	SBM	TS	17.10.10
17.10.10	M&S	SBM	TS	17.10.10
17.10.10	M&S	SBM	TS	17.10.10
17.10.10	M&S	SBM	TS	17.10.10

File Name: 978-Details-MS 10.5.17	M&S	SBM	TS	17.10.10
P.E. STEPHEN R. BUSHEY	DWN.	CHKD.	DSGN.	DATE



Client/Project  
0 HANCOCK LLC

THAMES STREET SITE  
PORTLAND, MAINE

Title  
LANDSCAPE DETAILS

Project No. 195350450  
Scale N.T.S.  
Sheet