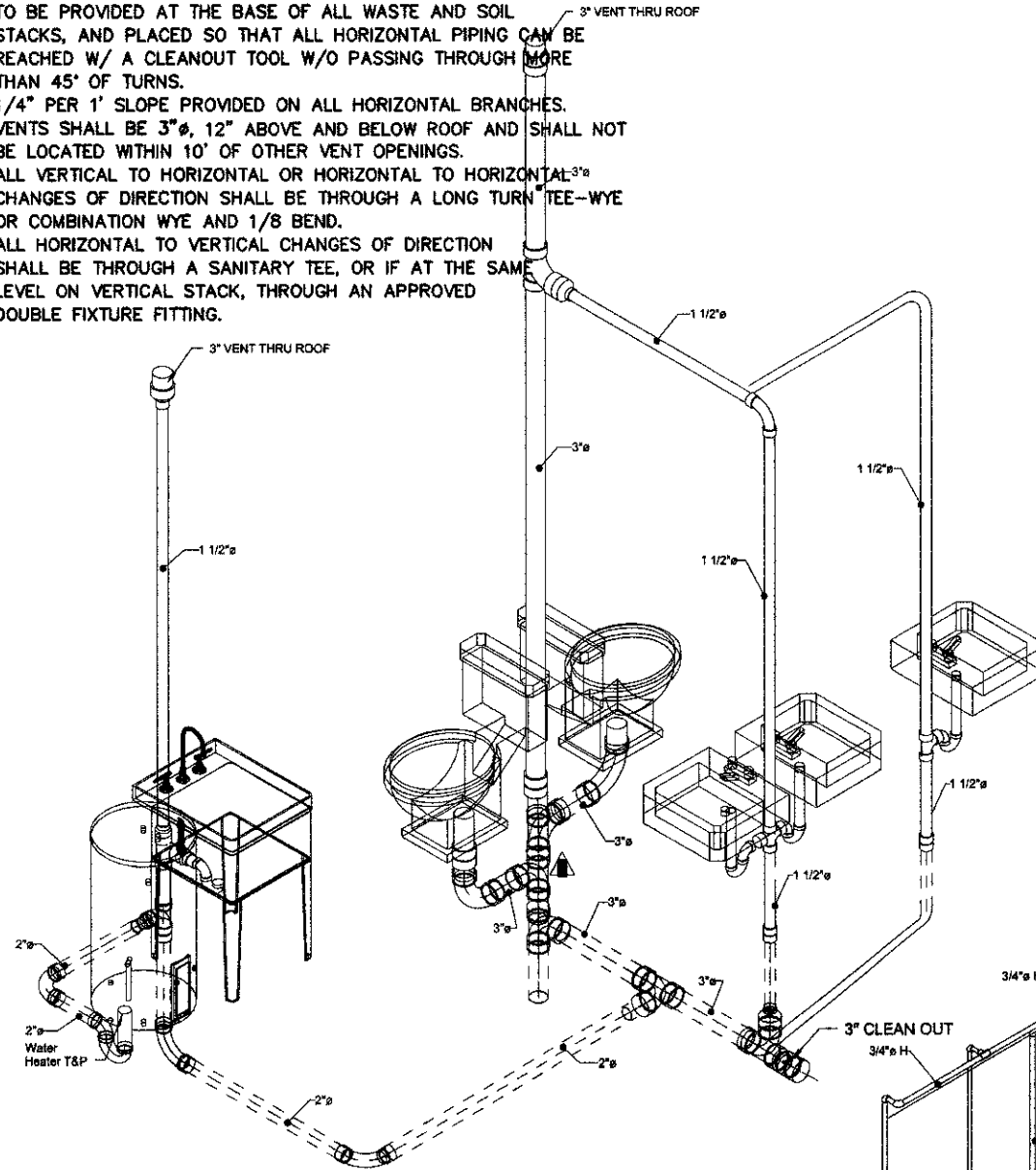


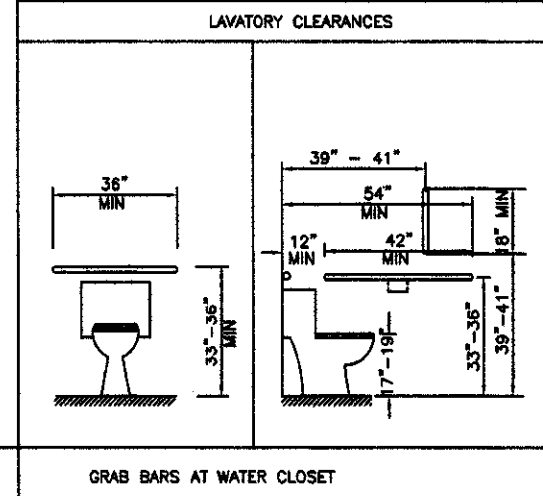
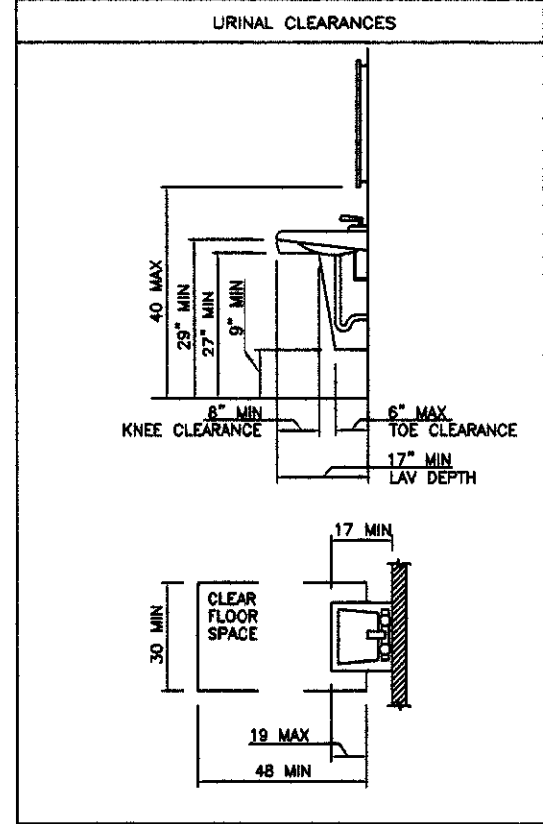
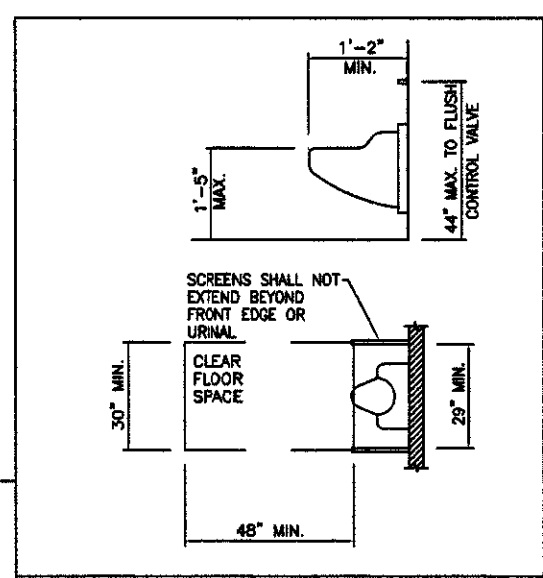
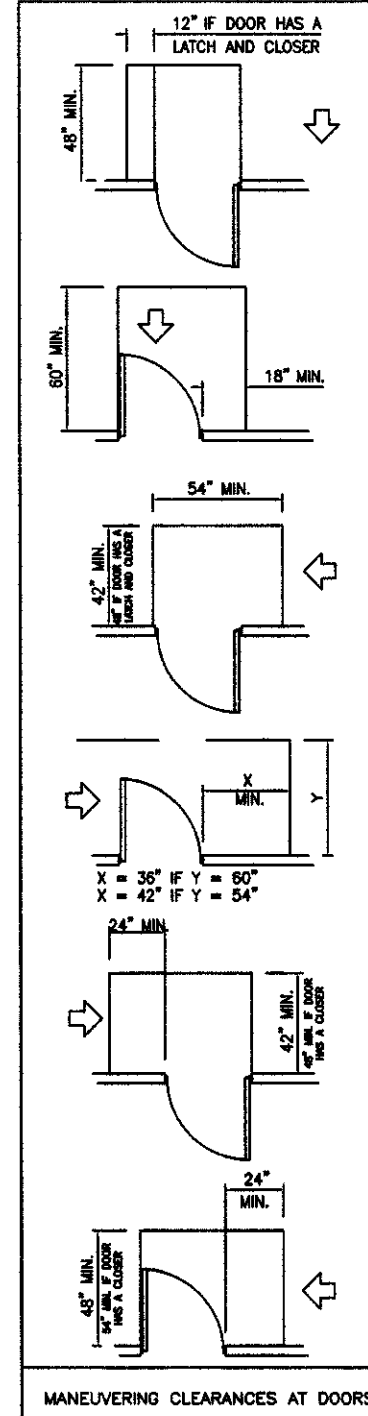
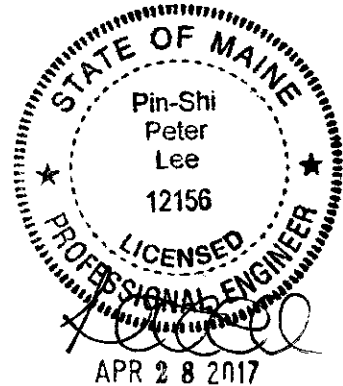
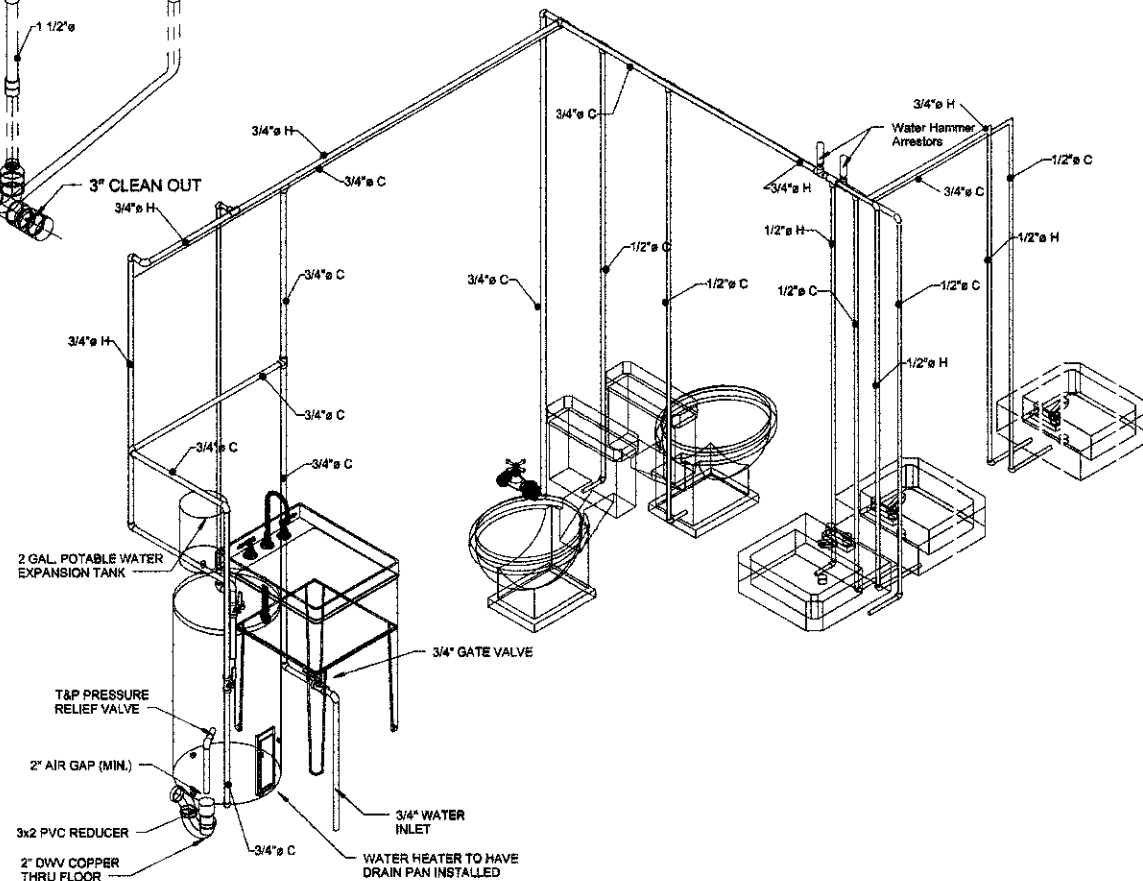
DWV

1. DWV MATERIAL TO BE PER MATERILS LISTED IN THE SPECIFICATIONS
2. ALL PIPES TO BE SECURED AT 4' O.C.
3. ALL CLEAN OUTS SHALL BE ACCESSIBLE. CLEAN OUTS TO BE PROVIDED AT THE BASE OF ALL WASTE AND SOIL STACKS, AND PLACED SO THAT ALL HORIZONTAL PIPING CAN BE REACHED W/ A CLEANOUT TOOL W/O PASSING THROUGH MORE THAN 45° OF TURNS.
4. 1/4" PER 1' SLOPE PROVIDED ON ALL HORIZONTAL BRANCHES.
5. VENTS SHALL BE 3" Ø, 12" ABOVE AND BELOW ROOF AND SHALL NOT BE LOCATED WITHIN 10' OF OTHER VENT OPENINGS.
6. ALL VERTICAL TO HORIZONTAL OR HORIZONTAL TO HORIZONTAL CHANGES OF DIRECTION SHALL BE THROUGH A LONG TURN TEE-WYE OR COMBINATION WYE AND 1/8 BEND.
7. ALL HORIZONTAL TO VERTICAL CHANGES OF DIRECTION SHALL BE THROUGH A SANITARY TEE, OR IF AT THE SAME LEVEL ON VERTICAL STACK, THROUGH AN APPROVED DOUBLE FIXTURE FITTING.



WATER SUPPLY

1. WATER SUPPLY LINE MATERIALS TO BE PER SPECIFICATIONS
2. COPPER OR GALVANIZED WATER PIPING TO BE SUPPORTED AT 4' O.C., POLYBUTYLENE AT 3' O.C.
3. WATER TEMPERATURE FACTORY SET AT 110°F, CONTROLS LOCATED BEHIND COVER PANEL.
4. A SHUT OFF VALVE SHALL BE REQUIRED FOR EACH FIXTURE.
5. WATER HAMMER ARRESTORS PROVIDED, OR IF AIR CHAMBERS, TO BE MIN. 15" LONG AND NOT LESS THAN THE DIAMETER OF PIPE SERVED.
6. WATER HEATER EQUIPPED WITH DRAIN COCK.
7. DIELECTRIC UNIONS TO BE USED AT CONNECTIONS OF WATER LINES TO WATER HEATER.
8. COLD WATER INLET TO BE PROVIDED WITH A SHUT-OFF VALVE ABOVE FLOOR AT THE WATER HEATER.
9. T&P VALVE, 210°F, 125PSI, WITH A 3/4" DISCHARGE PIPE TO THE EXTERIOR VIA A 4" AIR GAP.
10. FULL-SIZED SHUT OFF VALVE TO BE PROVIDED BETWEEN THE BUILDING AND WATER MAIN (METER).
11. 1/2" WATER SUPPLY SHALL SUPPLY ONLY ONE FIXTURE.



JOB NO: 2017-046
DRAWING NO: 7

DATE: 4/12/17
SCALE: NTS

WILLIAMS SCOTSMAN, INC.
325 RODMAN ROAD, AUBURN, ME 04210

DRAWN BY: R.M.
REV:

TITLE: PLUMBING SCHEMATICS
MODEL: 2464 O/A CLASSROOM